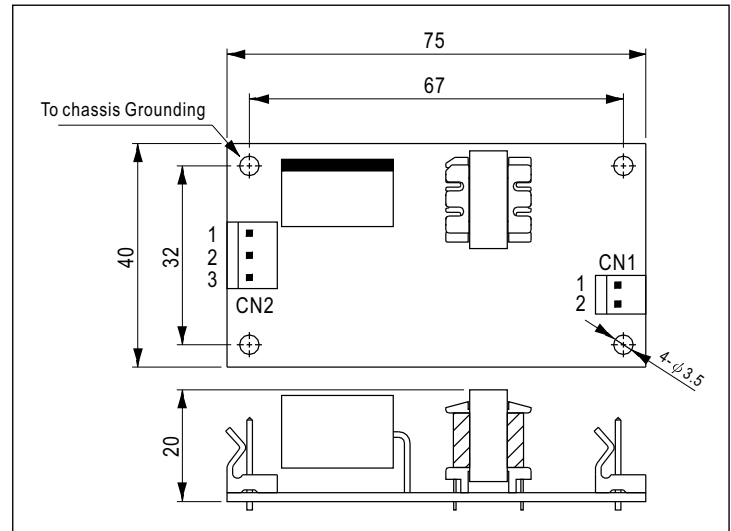
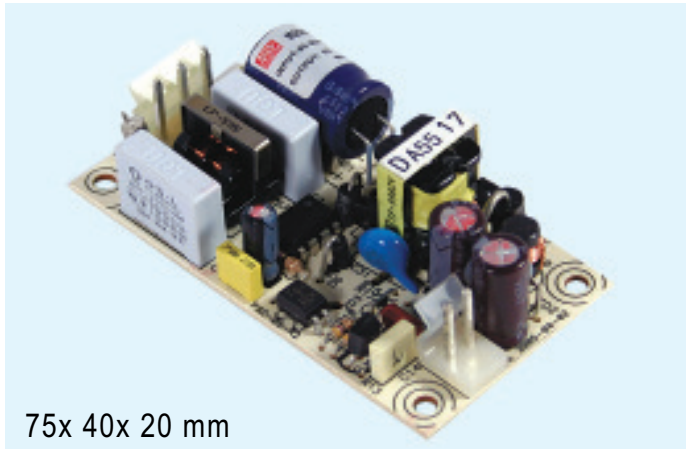


# 5W Single Output Switching Power Supply

- Universal AC input / Full range
- Protections: Short circuit / Overload / Over voltage / Over temp.
- Cooling by free air convection
- Fixed switching frequency at 67KHz
- Low leakage current <0.5mA
- 100% full load burn-in test
- Low cost, high reliability
- 2 years warranty

**CBC** 



- AC input voltage range ..... 85~264VAC; 120~370VDC
- AC inrush current ..... Cold start, 30A at 230VAC
- Overload protection ..... >105% hiccup mode, auto-recovery
- Over voltage protection ..... 115%~135% rated output voltage
- Over temp. protection ..... U1, Tj:140°C, hiccup mode, auto-recovery
- Leakage current ..... Less than 0.5mA at 240VAC
- Withstand voltage ..... I/P-O/P: 3KVAC, I/P-FG:1.5KVAC, 1minute
- Working temperature ..... -10~60°C (refer to output derating curve)
- Safety standards ..... UL60950-1 CB approval by TUV
- EMC standards ..... EN55022 class B, EN61000-3-2,3, EN61000-4-2,3,4,5,6,8,11
- Connection ..... 3P, 2P/ 3.96mm pitch, Molex 5285-03,5273-02
- Packing ..... 0.05kg ; 120pcs / 6.25kg / 1.0CUFT

Stock No.	Model No.	Output	Tol.	R&N	Effi.
12631	PS-05-5	5V, 1.0A	±2%	100mV	70%
12632	PS-05-12	12V, 0.45A	±2%	120mV	75%
12633	PS-05-15	15V, 0.35A	±2%	120mV	75%
12634	PS-05-24	24V, 0.22A	±2%	200mV	76%
12635	PS-05-48	48V, 0.11A	±1%	200mV	76%