

PIC[®] MCU Mid-Range Code Hopping Decoder

*Author: Vivien Delpont
Microchip Technology Inc.*

OVERVIEW

This application note describes the working of a KEELOQ[®] code hopping decoder implemented on a Microchip Midrange MCUs (PIC16C6X, PIC16C7X, PIC16C62X) The software can be used to implement a stand alone decoder or be integrated with the user application. The decoder supports the Microchip's HCS200, HCS201, HCS300, HCS301, HCS360, and HCS361 KEELOQ hopping code encoders. The decoder supports normal and secure learning. Two manufacturers codes allow different manufacturers to share a public key, but retain their own private keys.

KEY FEATURES

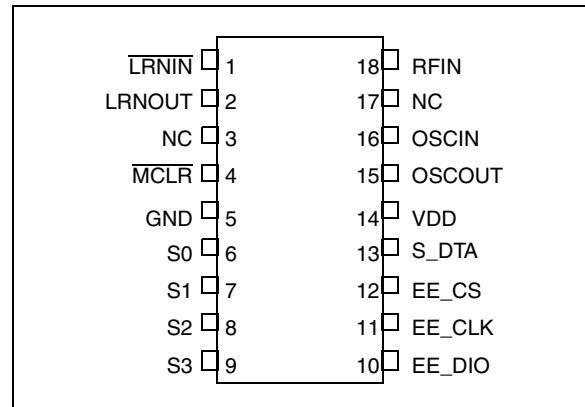
- Supports two manufacturer's codes
- Compatible with Microchip's HCS200, HCS201, HCS300, HCS301, HCS360 and HCS361 encoders.
- PIC16C6X, PIC16C7X and PIC16C62X platforms
- Automatic baud rate detection
- Automatic Normal or Secure learn detection
- Four function outputs
- Six learnable transmitters
- RC Oscillator
- Serial interface

FUNCTIONAL INPUTS AND OUTPUTS

TABLE 1: MICROCHIP DECODER FUNCTIONAL INPUTS AND OUTPUTS

Mnemonic	Pin Number	Input / Output	Function
RF IN	18	I	Demodulated PWM signal from RF receiver. The decoder uses this input to receive encoder transmissions.
LEARN INIT	1	1	Input to initiate learning.
LEARN INDICATION	2	O	Output to show the status of the learn process (in an integrated system this will be combined with the system status indicator).
S_DTA	13	O	Serial data string output which contains the function code, VLow bit and function code match bit.
S0, S1, S2, S3	6, 7, 8, 9	O	Function outputs, correspond to encoder input pins.
EE_CS EE_CLK EE_DIO	10,11,12	I/O	External Serial EEPROM Interface lines.

FIGURE 1: MICROCHIP MIDRANGE DECODER



PUBLIC AND PRIVATE MANUFACTURER'S CODE

The decoder supports two manufacturer's codes, called the public manufacturer's code and private manufacturer's code. This feature allows two manufacturers to share one public manufacturer's code, but retain their own private manufacturer's code. The decoder uses the public manufacturer's code first to drive the encoder's decryption key, but if learn fails, it will retry using the private manufacturer's code.

PROGRAM FLOW

The decoder software will run on any PIC6C6X/7X with 1K program memory. The operating frequency is 4 MHz. The clock speed is important as the reception routine (RECEIVE) has some critical timing specifications. Other decoder functions that rely on a 4 MHz clock speed are the hold times of the various outputs, time-outs, etc. The compiler used is MPASM.

A high-level description of the main program flow, the transmission validation flow, and the transmitter learn flow are described in the following sections. More detailed descriptions of the other modules can be found in Application Note AN642.

MAIN PROGRAM FLOW

After reset, the decoder enters the main loop where it spends most of the time. The main loop checks the learn button and if pressed (TST_LEARN) enters the learn mode. The microcontroller checks transmissions from the encoders (RECEIVE). Once 65 bits are received, the microcontroller validates the transmission. When a valid transmission is received from a learnt encoder, the decoder sends out a serial data string containing the function code (TX_FUNC) and sets the appropriate function outputs (M_BUT).

TRANSMISSION VALIDATION FLOW

After reception of a code, the decoder will first check if the transmitter is learnt on the decoder. This is done by calculating the checksum on the received transmission's serial number and then searching through the transmitter blocks stored in EEPROM to find a match. If a match is found, the decoder reads the decryption key stored for that transmitter and decrypts the hopping code portion. The 10 LSBs of the discrimination value are compared to the 10 LSBs of the serial number. The 16-bit synchronization counter is validated by checking if the received counter is in the blocked window. The decoder then checks if the counter is in the double operation window. If this is the case, the decoder will wait for the next sequential transmission to synchronize. If the counter is within the single operation window, the decoder updates the EEPROM counters and then generates the appropriate function output.

TRANSMITTER LEARN FLOW

To be able to use a transmitter with the decoder, the transmitter must first be learned into the decoder. Adding a transmitter is done by pressing the learn button. If the button is pressed for longer than 10 seconds, the decoder executes an "erase all" function, which will remove all the transmitters learned.

Normal Secure Learn Selection: In learn mode, the decoder monitors transmissions for 4 seconds. If two codes are received with different serial numbers, the first code is used as the hop code and the second as the seed for the secure learn algorithm. If the two serial numbers are the same, the first received code will be used for the normal learn algorithm.

Manufacturer's Code Selection: The decryption key is derived using the public manufacturer's code stored in a ROM table. The received hopping code is validated by comparing the received transmission's discrimination bits with the lower bits of the serial number. If the decryption validation fails, the decoder will derive the decryption key again by using the private manufacturer's code, also stored in a ROM table. If the decryption validation was successful, the decoder will calculate a checksum value on the transmission's serial number. All of the information is then stored in an unused block in the EEPROM. The same memory block will be used if the transmitter was already learned. The result of the learn sequence is displayed on the LED.

COMPILER OPTIONS

Delayed Increment: When this option is enabled, the decoder will automatically increment the synchronization counter by twelve, 30 seconds after the last valid reception. The synchronization window is increased from 16 to 256 in this mode. Delayed increment is used to defeat jamming code grabbers in single button transmitters. This option is enabled by setting the define variable DLY_INC to 1 and recompiling the code.

SERIAL FUNCTION STRING OUTPUT

The decoder's serial output sends out a function byte which consists of the function code, battery low status flag, and a function code match bit. After the last bit was clocked out, the line will go high for 500 ms. Repeated transmissions will, as with the binary function outputs, extend this 500 ms time-out. Start bit is one and the stop bit is zero.

The data byte format for this output is shown in Figure 2

FIGURE 2: DATA BYTE FORMAT

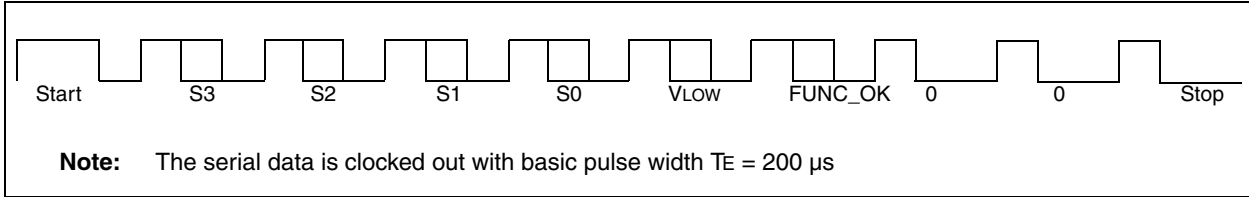


FIGURE 3: MAIN PROGRAM FLOW

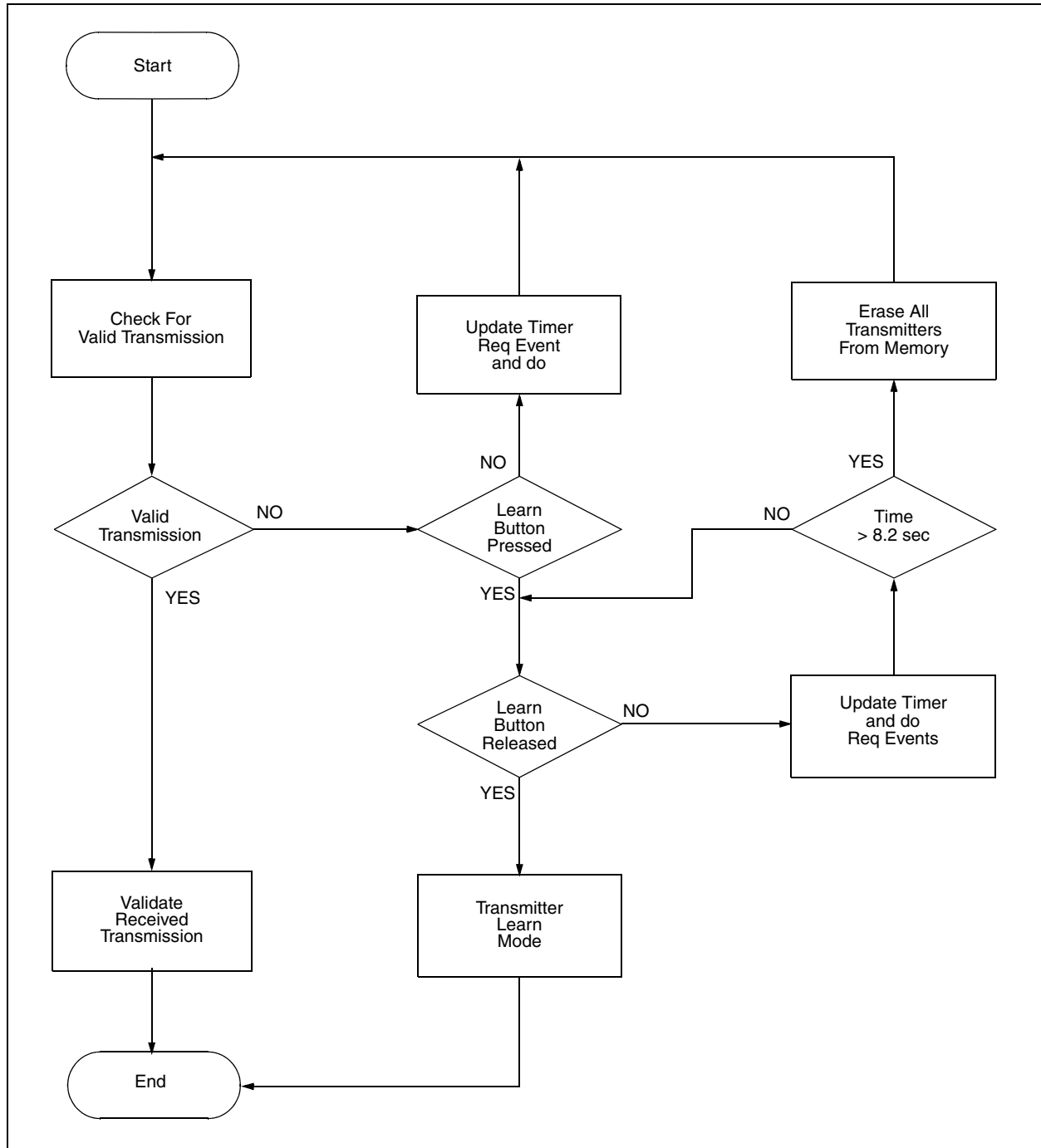


FIGURE 4: TRANSMITTER LEARN FLOW

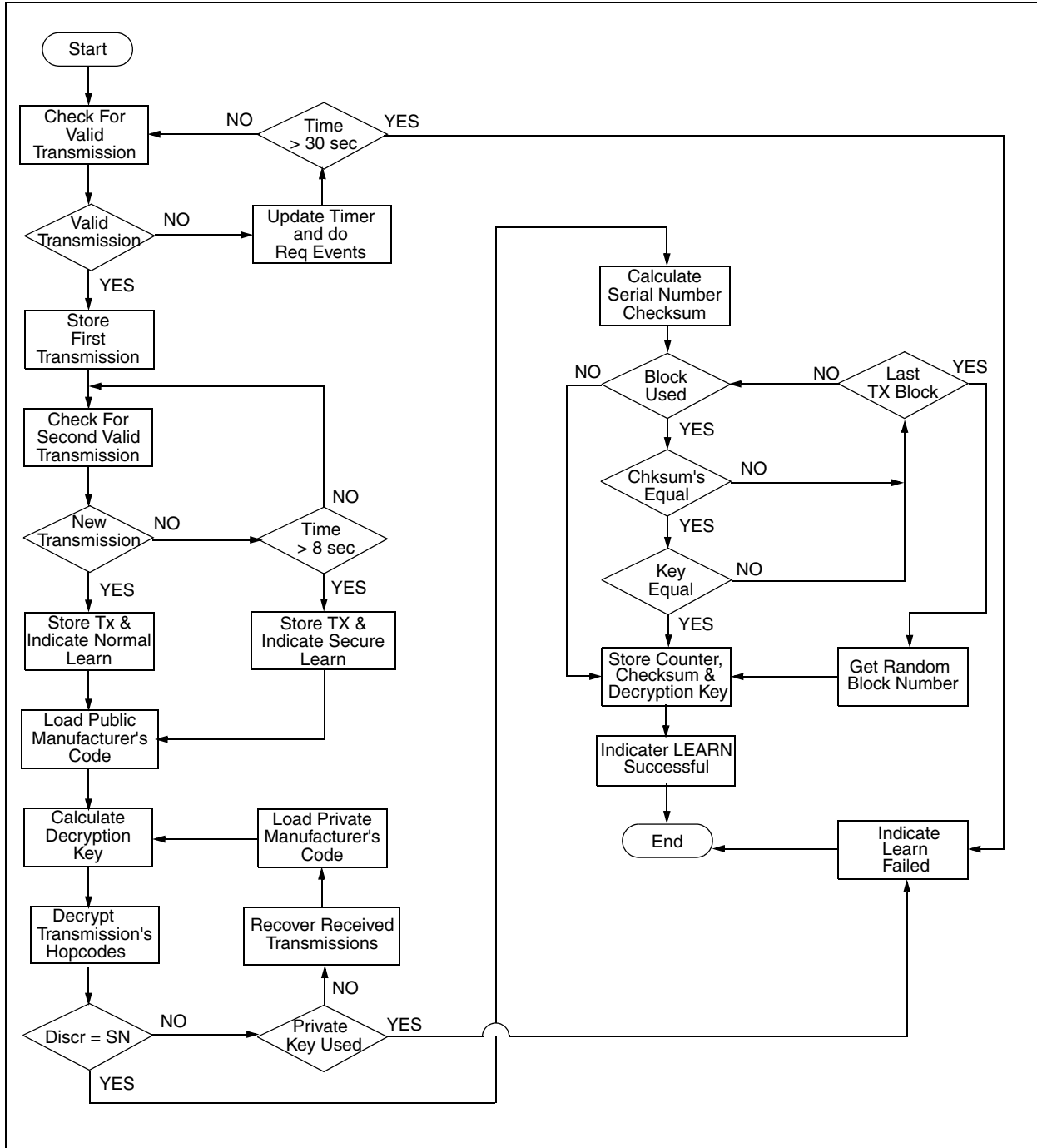
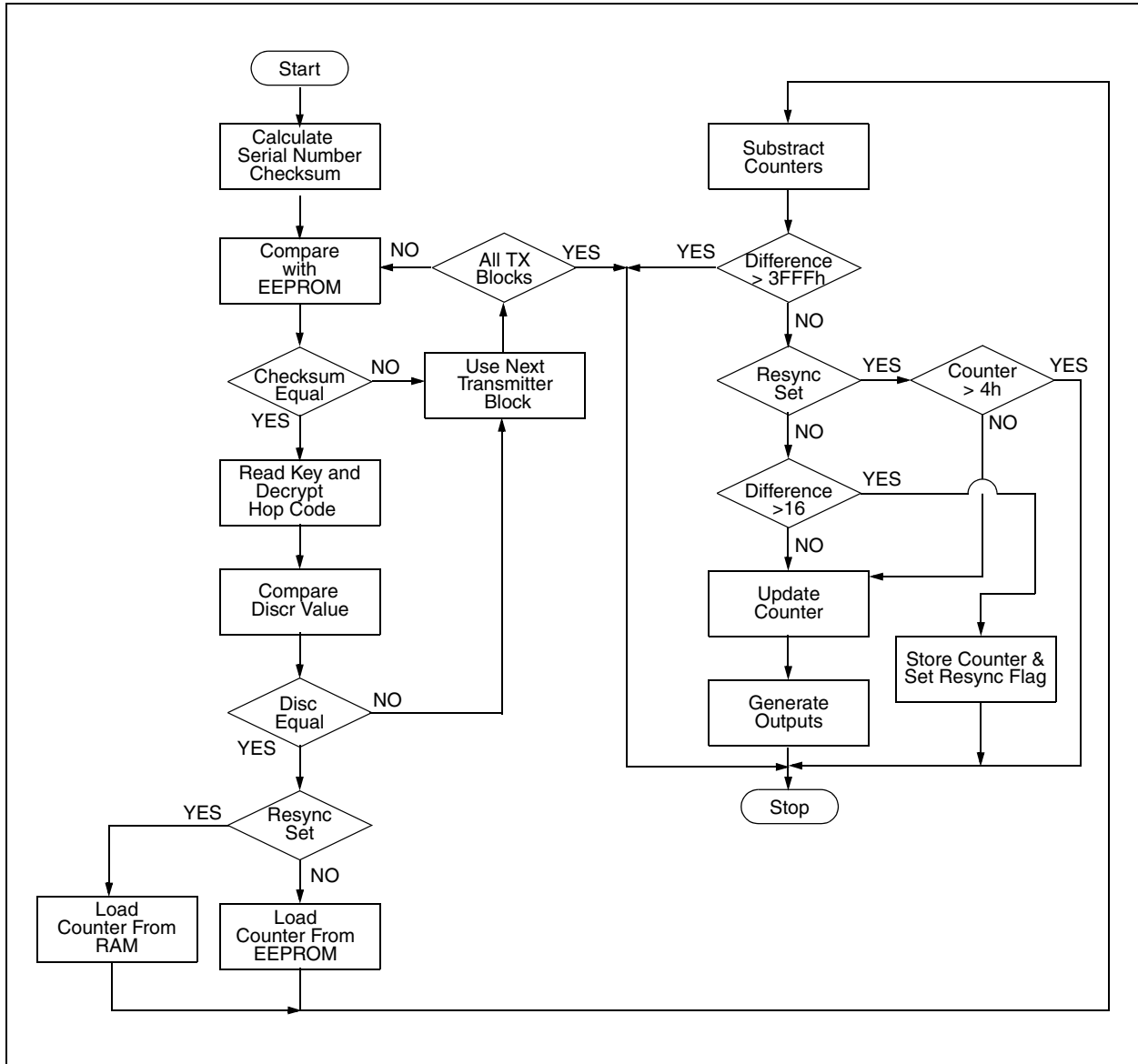


FIGURE 5: TRANSMISSION VALIDATION FLOW



DECODER MEMORY MAPS

TABLE 2: MEMORY MAP ROM (8-BIT BYTES)

Word Address	Mnemonic	Description
42	MKEY1_0	64-Bit Public Manufacturers Code (Used to generate decryption keys)
43	MKEY1_1	
44	MKEY1_2	
45	MKEY1_3	
46	MKEY1_4	
47	MKEY1_5	
48	MKEY1_6	
49	MKEY1_7	
4A	MKEY2_0	64-Bit Private Manufacturers Code (Used to generate decryption keys)
4B	MKEY2_1	
4C	MKEY2_2	
4D	MKEY2_3	
4E	MKEY2_4	
4F	MKEY2_5	
50	MKEY2_6	
51	MKEY2_7	
52	EKEY_0	64-Bit EEPROM Key (Used to encrypt EEPROM data)
53	EKEY_1	
54	EKEY_2	
55	EKEY_3	
56	EKEY_4	
57	EKEY_5	
58	EKEY_6	
59	EKEY_7	

TABLE 3: MEMORY MAP EEPROM (16 BIT WORDS)

Address	Mnemonic	Address	Mnemonic
00	Scratch Pad #1 – First TX	20	CNT20
01	Scratch Pad #1 – First TX	21	CNT21
02	Scratch Pad #1 – First TX	22	DISC2
03	Scratch Pad #1 – First TX	23	CHKSUM2
04	Scratch Pad #2 – Seed TX	24	KEY20
05	Scratch Pad #2 – Seed TX	25	KEY21
06	Scratch Pad #2 – Seed TX	26	KEY22
07	Scratch Pad #2 – Seed TX	27	KEY23
08	Not Used	28	CNT30
09	Not Used	29	CNT31
0A	Not Used	2A	DISC3
0B	Not Used	2B	CHKSUM3
0C	Not Used	2C	KEY30
0D	Not Used	2D	KEY31
0E	Not Used	2E	KEY32
0F	Not Used	2F	KEY33
10	CNT00	30	CNT40
11	CNT01	33	CNT41
12	DISC0	32	DISC4
13	CHKSUM0	33	CHKSUM4
14	KEY00	34	KEY40
15	KEY01	35	KEY41
16	KEY02	36	KEY42
17	KEY03	37	KEY43
18	CNT10	38	CNT50
19	CNT11	39	CNT51
1A	DISC1	3A	DISC5
1B	CHKSUM1	3B	CHKSUM5
1C	KEY10	3C	KEY50
1D	KEY11	3D	KEY51
1E	KEY12	3E	KEY52
1F	KEY13	3F	KEY53

Note:

SCRATCHPAD: Temporary storage of transmission during learn.

CHKSUM: The encoder serial number checksum.

KEY: These bytes contain the decryption key for each encoder.

DIS: Discrimination values and function code storage.

CNT: Two copies of the synchronization counter are stored for each encoder to prevent loss of synchronization information due to EEPROM write failure.

AN672

TABLE 4: RAM MEMORY MAP (8-BIT BYTES)

Address	Mnemonic	Description
0C	FLAGS	Decoder flags
0D	ADDRESS	Address register – points to address in EEPROM
0E	TXNUM	Current transmitter's block index
0F	TX_CNT	Transmitter loop counter
10	OUTBYT	General data register, mask register used in decryption
11	CNT0	Loop counters
12	CNT2	
13	CNT3	
14	CNT_HI	16-bit event clock counter
15	CNT_LO	
16	RAM_HI	16-bit RAM counter (used in resynchronization)
17	RAM_LW	
18	TMP0	Temporary registers
19	TMP1	
1A	TMP2	
1B	TMP3	
1C	TMP4	
1D	TMP5	
1E	TMP6	
1F	TMP7	
20	CSR4	64-bit shift register Used in reception, decryption and key generation
21	CSR5	
22	CSR6	
23	CSR7	
24	CSR0	
25	CSR1	
26	CSR2	
27	CSR3	
28	KEY7	64-bit shift register holds decryption key
29	KEY6	
2A	KEY5	
2B	KEY4	
2C	KEY3	
2D	KEY2	
2E	KEY1	
2F	KEY0	

Many of the memory locations in RAM are used by multiple routines. A list of alternate names and functions are given in the table below.

Address	Mnemonic	Also Known As	Description
10	CNT2	OUTBYT	Temporary Loop Counter.
18	HOP1	CSR0	32-bit hop code register.
19	HOP2	CSR1	
1A	HOP3	CSR2	
1B	HOP4	CSR3	
OD	EHOP3	ADDRESS	Extended 32-bit buffer used during key generation as a 32-bit buffer.
1C	EHOP2	TXNUM	
1D	EHOP1	TX_CNT	
1E	EHOP0	CNT3	
17	SER_0	CSR7	28-bit serial number, stores received transmission open 32 bits.
16	SER_1	CSR6	
15	SER_2	CSR5	
14	SER_3	CSR4	
1B	FUNC	CSR3	Button code and user nibble of discrimination value.
1A	DISCR	CSR2	Discrimination value.
19	CNTR_HI	CSR1	16-bit received counter.
18	CNTR_LW	CSR0	

AN672

DEVICE PINOUTS

The device used in the application note is a PIC16C6X PDIP.

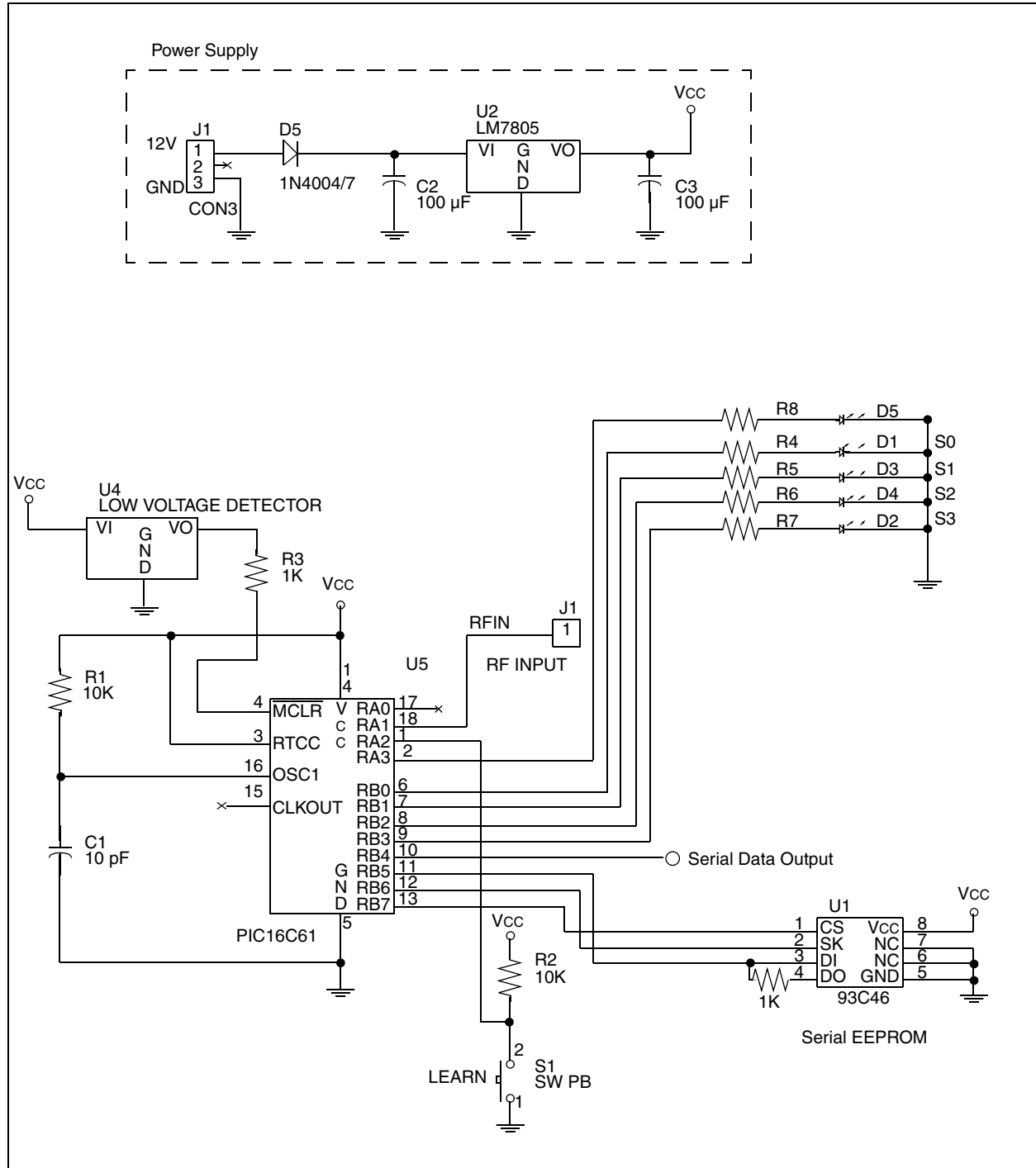
PIN	PIC [®] MCU Function	Decoder Function	PIN	PIC MCU Function	Decoder Function
1	Port A Bit 2	LEARN Input Act Low	18	Port A Bit 1	RF Input
2	Port A Bit 3	LRN IND Output High	17	Port A Bit 0	Not Used
3	TIMER0	Connect to VDD	16	OSCIN	RC OSC (4 MHz)
4	$\overline{\text{MCLR}}$	Brown-out detect	15	OSCOU	—
5	GND	Ground	14	VDD	+5V supply
6	Port B Bit 0	S0	13	Port B Bit 7	FUNC OK
7	Port B Bit 1	S1	12	Port B Bit 6	CS (1)
8	Port B Bit 2	S2	11	Port B Bit 5	CLK (2)
9	Port B Bit 3	S3	10	Port B Bit 4	DIO (3+4)

TIMING PARAMETERS

Parameter	Typical	Unit
Output activation duration	524	ms
Output pause if new function code received	100	ms
Erase all duration	8.4	s
Learn mode time-out	33.6	s
Learn successful LED flash duration	4.2	s
Learn successful LED flash rate	3.8	Hz
Learn failure LED on duration	1	s

APPENDIX A: APPENDIX SCHEMATIC DIAGRAMS

FIGURE A-1: SCHEMATIC DIAGRAM OF MICROCHIP KEELOQ[®] DECODER



ADDITIONAL INFORMATION

Microchip's Secure Data Products are covered by some or all of the following:

Code hopping encoder patents issued in European countries and U.S.A.

Secure learning patents issued in European countries, U.S.A. and R.S.A.

REVISION HISTORY

Revision D (May 2011)

- Added new section **Additional Information**
- Minor formatting and text changes were incorporated throughout the document

Note the following details of the code protection feature on Microchip devices:

- Microchip products meet the specification contained in their particular Microchip Data Sheet.
- Microchip believes that its family of products is one of the most secure families of its kind on the market today, when used in the intended manner and under normal conditions.
- There are dishonest and possibly illegal methods used to breach the code protection feature. All of these methods, to our knowledge, require using the Microchip products in a manner outside the operating specifications contained in Microchip's Data Sheets. Most likely, the person doing so is engaged in theft of intellectual property.
- Microchip is willing to work with the customer who is concerned about the integrity of their code.
- Neither Microchip nor any other semiconductor manufacturer can guarantee the security of their code. Code protection does not mean that we are guaranteeing the product as “unbreakable.”

Code protection is constantly evolving. We at Microchip are committed to continuously improving the code protection features of our products. Attempts to break Microchip's code protection feature may be a violation of the Digital Millennium Copyright Act. If such acts allow unauthorized access to your software or other copyrighted work, you may have a right to sue for relief under that Act.

Information contained in this publication regarding device applications and the like is provided only for your convenience and may be superseded by updates. It is your responsibility to ensure that your application meets with your specifications. MICROCHIP MAKES NO REPRESENTATIONS OR WARRANTIES OF ANY KIND WHETHER EXPRESS OR IMPLIED, WRITTEN OR ORAL, STATUTORY OR OTHERWISE, RELATED TO THE INFORMATION, INCLUDING BUT NOT LIMITED TO ITS CONDITION, QUALITY, PERFORMANCE, MERCHANTABILITY OR FITNESS FOR PURPOSE. Microchip disclaims all liability arising from this information and its use. Use of Microchip devices in life support and/or safety applications is entirely at the buyer's risk, and the buyer agrees to defend, indemnify and hold harmless Microchip from any and all damages, claims, suits, or expenses resulting from such use. No licenses are conveyed, implicitly or otherwise, under any Microchip intellectual property rights.

Trademarks

The Microchip name and logo, the Microchip logo, dsPIC, KEELOQ, KEELOQ logo, MPLAB, PIC, PICmicro, PICSTART, PIC³² logo, rPIC and UNI/O are registered trademarks of Microchip Technology Incorporated in the U.S.A. and other countries.


FilterLab, Hampshire, HI-TECH C, Linear Active Thermistor, MXDEV, MXLAB, SEEVAL and The Embedded Control Solutions Company are registered trademarks of Microchip Technology Incorporated in the U.S.A.

Analog-for-the-Digital Age, Application Maestro, CodeGuard, dsPICDEM, dsPICDEM.net, dsPICworks, dsSPEAK, ECAN, ECONOMONITOR, FanSense, HI-TIDE, In-Circuit Serial Programming, ICSP, Mindi, MiWi, MPASM, MPLAB Certified logo, MPLIB, MPLINK, mTouch, Omniscient Code Generation, PICC, PICC-18, PICDEM, PICDEM.net, PICkit, PICTail, REAL ICE, rLAB, Select Mode, Total Endurance, TSHARC, UniWinDriver, WiperLock and ZENA are trademarks of Microchip Technology Incorporated in the U.S.A. and other countries.

SQTP is a service mark of Microchip Technology Incorporated in the U.S.A.

All other trademarks mentioned herein are property of their respective companies.

© 2011, Microchip Technology Incorporated, Printed in the U.S.A., All Rights Reserved.

 Printed on recycled paper.

ISBN: 978-1-61341-167-4

Microchip received ISO/TS-16949:2002 certification for its worldwide headquarters, design and wafer fabrication facilities in Chandler and Tempe, Arizona; Gresham, Oregon and design centers in California and India. The Company's quality system processes and procedures are for its PIC[®] MCUs and dsPIC[®] DSCs, KEELOQ[®] code hopping devices, Serial EEPROMs, microperipherals, nonvolatile memory and analog products. In addition, Microchip's quality system for the design and manufacture of development systems is ISO 9001:2000 certified.

**QUALITY MANAGEMENT SYSTEM
CERTIFIED BY DNV
== ISO/TS 16949:2002 ==**



MICROCHIP

Worldwide Sales and Service

AMERICAS

Corporate Office
2355 West Chandler Blvd.
Chandler, AZ 85224-6199
Tel: 480-792-7200
Fax: 480-792-7277
Technical Support:
<http://www.microchip.com/support>
Web Address:
www.microchip.com

Atlanta
Duluth, GA
Tel: 678-957-9614
Fax: 678-957-1455

Boston
Westborough, MA
Tel: 774-760-0087
Fax: 774-760-0088

Chicago
Itasca, IL
Tel: 630-285-0071
Fax: 630-285-0075

Cleveland
Independence, OH
Tel: 216-447-0464
Fax: 216-447-0643

Dallas
Addison, TX
Tel: 972-818-7423
Fax: 972-818-2924

Detroit
Farmington Hills, MI
Tel: 248-538-2250
Fax: 248-538-2260

Indianapolis
Noblesville, IN
Tel: 317-773-8323
Fax: 317-773-5453

Los Angeles
Mission Viejo, CA
Tel: 949-462-9523
Fax: 949-462-9608

Santa Clara
Santa Clara, CA
Tel: 408-961-6444
Fax: 408-961-6445

Toronto
Mississauga, Ontario,
Canada
Tel: 905-673-0699
Fax: 905-673-6509

ASIA/PACIFIC

Asia Pacific Office
Suites 3707-14, 37th Floor
Tower 6, The Gateway
Harbour City, Kowloon
Hong Kong
Tel: 852-2401-1200
Fax: 852-2401-3431

Australia - Sydney
Tel: 61-2-9868-6733
Fax: 61-2-9868-6755

China - Beijing
Tel: 86-10-8569-7000
Fax: 86-10-8528-2104

China - Chengdu
Tel: 86-28-8665-5511
Fax: 86-28-8665-7889

China - Chongqing
Tel: 86-23-8980-9588
Fax: 86-23-8980-9500

China - Hangzhou
Tel: 86-571-2819-3180
Fax: 86-571-2819-3189

China - Hong Kong SAR
Tel: 852-2401-1200
Fax: 852-2401-3431

China - Nanjing
Tel: 86-25-8473-2460
Fax: 86-25-8473-2470

China - Qingdao
Tel: 86-532-8502-7355
Fax: 86-532-8502-7205

China - Shanghai
Tel: 86-21-5407-5533
Fax: 86-21-5407-5066

China - Shenyang
Tel: 86-24-2334-2829
Fax: 86-24-2334-2393

China - Shenzhen
Tel: 86-755-8203-2660
Fax: 86-755-8203-1760

China - Wuhan
Tel: 86-27-5980-5300
Fax: 86-27-5980-5118

China - Xian
Tel: 86-29-8833-7252
Fax: 86-29-8833-7256

China - Xiamen
Tel: 86-592-2388138
Fax: 86-592-2388130

China - Zhuhai
Tel: 86-756-3210040
Fax: 86-756-3210049

ASIA/PACIFIC

India - Bangalore
Tel: 91-80-3090-4444
Fax: 91-80-3090-4123

India - New Delhi
Tel: 91-11-4160-8631
Fax: 91-11-4160-8632

India - Pune
Tel: 91-20-2566-1512
Fax: 91-20-2566-1513

Japan - Yokohama
Tel: 81-45-471- 6166
Fax: 81-45-471-6122

Korea - Daegu
Tel: 82-53-744-4301
Fax: 82-53-744-4302

Korea - Seoul
Tel: 82-2-554-7200
Fax: 82-2-558-5932 or
82-2-558-5934

Malaysia - Kuala Lumpur
Tel: 60-3-6201-9857
Fax: 60-3-6201-9859

Malaysia - Penang
Tel: 60-4-227-8870
Fax: 60-4-227-4068

Philippines - Manila
Tel: 63-2-634-9065
Fax: 63-2-634-9069

Singapore
Tel: 65-6334-8870
Fax: 65-6334-8850

Taiwan - Hsin Chu
Tel: 886-3-6578-300
Fax: 886-3-6578-370

Taiwan - Kaohsiung
Tel: 886-7-213-7830
Fax: 886-7-330-9305

Taiwan - Taipei
Tel: 886-2-2500-6610
Fax: 886-2-2508-0102

Thailand - Bangkok
Tel: 66-2-694-1351
Fax: 66-2-694-1350

EUROPE

Austria - Wels
Tel: 43-7242-2244-39
Fax: 43-7242-2244-393

Denmark - Copenhagen
Tel: 45-4450-2828
Fax: 45-4485-2829

France - Paris
Tel: 33-1-69-53-63-20
Fax: 33-1-69-30-90-79

Germany - Munich
Tel: 49-89-627-144-0
Fax: 49-89-627-144-44

Italy - Milan
Tel: 39-0331-742611
Fax: 39-0331-466781

Netherlands - Drunen
Tel: 31-416-690399
Fax: 31-416-690340

Spain - Madrid
Tel: 34-91-708-08-90
Fax: 34-91-708-08-91

UK - Wokingham
Tel: 44-118-921-5869
Fax: 44-118-921-5820

05/02/11