

MATERIALS AND FINISHES:

SEE PSD-85305-0232

73415-6182	85305-0232, TAPE AND REEL	1K PER REEL	1K PER CARTON
73415-6181	85305-0232, TAPE AND REEL WITH KAPTON TAPE	1K PER REEL	7K PER CARTON
73415-6180	85305-0232, ONE PER BAG	ONE PER BAG	500 PER CARTON
PART NO.	PACKAGING	QUANTITY	

A3	2018/5/28	ADD -6182 PER EWR #12129-A
REV	DATE	DESCRIPTION

THIS DRAWING CONTAINS INFORMATION THAT IS PROPRIETARY TO MOLEX ELECTRONIC TECHNOLOGIES, LLC AND SHOULD NOT BE USED WITHOUT WRITTEN PERMISSION

DIMENSION UNITS	SCALE	CURRENT REV DESC:		molex			
HYBRID	NTS						
GENERAL TOLERANCES (UNLESS SPECIFIED)		EC NO: 177474		SMP, PLUG SMT LIMITED DETENT SMP-P/PCB			
ANGULAR TOL	± 2.0°	DRWN: RYEH 2018/05/28					
4 PLACES	±	CHK'D: YCHENG 2018/06/25		PRODUCT CUSTOMER DRAWING			
3 PLACES	±	APPR: YCHENG 2018/06/25					
2 PLACES	± 0.25	INITIAL REVISION:		DOCUMENT NUMBER SD-73415-618			
1 PLACE	±	DRWN: SSHAH 2007/05/11					
0 PLACES	±	APPR: JWIENER 2007/05/11		DOC TYPE PSD			
DRAFT WHERE APPLICABLE MUST REMAIN WITHIN DIMENSIONS		THIRD ANGLE PROJECTION					
				CUSTOMER GENERAL MARKET		DOC PART 001	
				SHEET NUMBER 1 OF 1		REVISION A3	

DOCUMENT STATUS	P1	RELEASE DATE	2018/06/25 01:40:00
-----------------	----	--------------	---------------------

MATERIALS AND FINISHES:

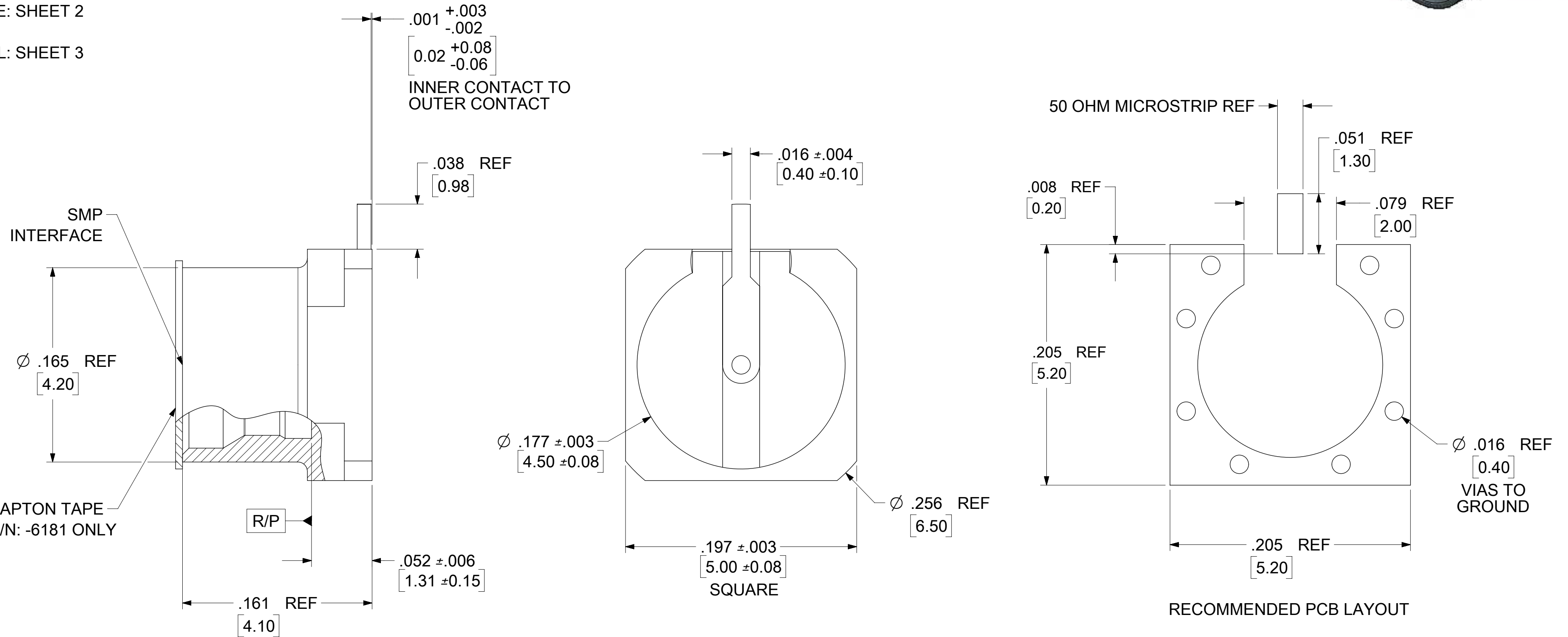
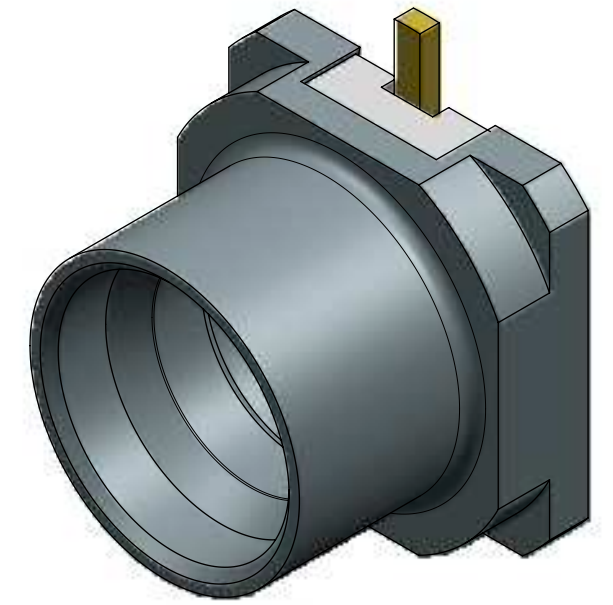
INNER & OUTER CONTACT: BRASS
 PLATED: GOLD (30µ-in MIN)
 OVER NICKEL (100µ-in MIN)

INSULATOR: LCP
 UL FLAMMABILITY RATING 94 V-0

KAPTON: POLYAMIDE
 COLOR: BLACK

TAPE: SHEET 2

REEL: SHEET 3



73415-6182	85305-0232, TAPE AND REEL	1K PER REEL	1K PER CARTON
73415-6181	85305-0232, TAPE AND REEL WITH KAPTON TAPE	1K PER REEL	7K PER CARTON
73415-6180	85305-0232, ONE PER BAG	ONE PER BAG	500 PER CARTON
85305-0232	TAPE AND REEL	1K PER REEL	7K PER CARTON
PART NO.	PACKAGING	QUANTITY	

THIS DRAWING CONTAINS INFORMATION THAT IS PROPRIETARY TO MOLEX ELECTRONIC TECHNOLOGIES, LLC AND SHOULD NOT BE USED WITHOUT WRITTEN PERMISSION

DIMENSION UNITS	SCALE	CURRENT REV DESC: SEE ECM	
HYBRID	NTS		
GENERAL TOLERANCES (UNLESS SPECIFIED)			
ANGULAR TOL	± 2.0°		
4 PLACES	±		
3 PLACES	±		
2 PLACES	± 0.25		
1 PLACE	±		
0 PLACES	±		
DRAFT WHERE APPLICABLE MUST REMAIN WITHIN DIMENSIONS		THIRD ANGLE PROJECTION	DRAWING SERIES
		C-SIZE	85305
		MATERIAL NUMBER CUSTOMER SHEET NUMBER	
		SEE TABLE	1 OF 3



SMP, PLUG SMT
 LIMITED DETENT SMP-P/PCB, EWR-11818

PRODUCT CUSTOMER DRAWING

DOCUMENT NUMBER	DOC TYPE	DOC PART	REVISION
SD-85305-0232	PSD	001	B12

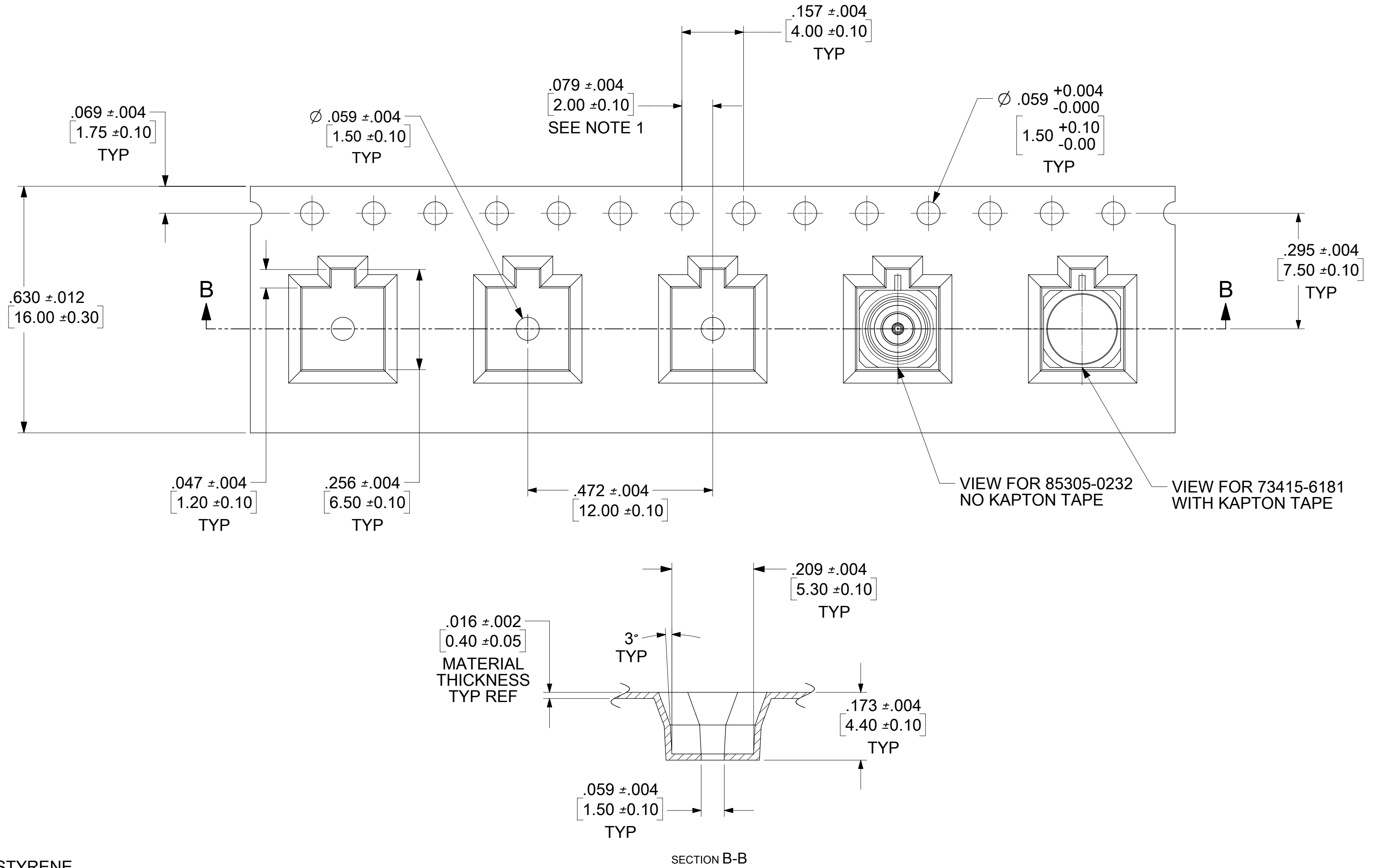
PS-89675-3320	PRODUCT SPECIFICATION
MIL-STD-248B, FIG 326-3	INTERFACE, SMP, LIMITED DETENT
SPECIFICATION	DESCRIPTION

B12	2018/5/23	ADD -6182 PER EWR #12129-A
REV	DATE	DESCRIPTION

DOCUMENT STATUS	P1	RELEASE DATE	2018/06/25 01:40:02
-----------------	----	--------------	---------------------

NOTE:

1. 10 PITCH CUMULATIVE TOLERANCE: ±.008 (0.20)

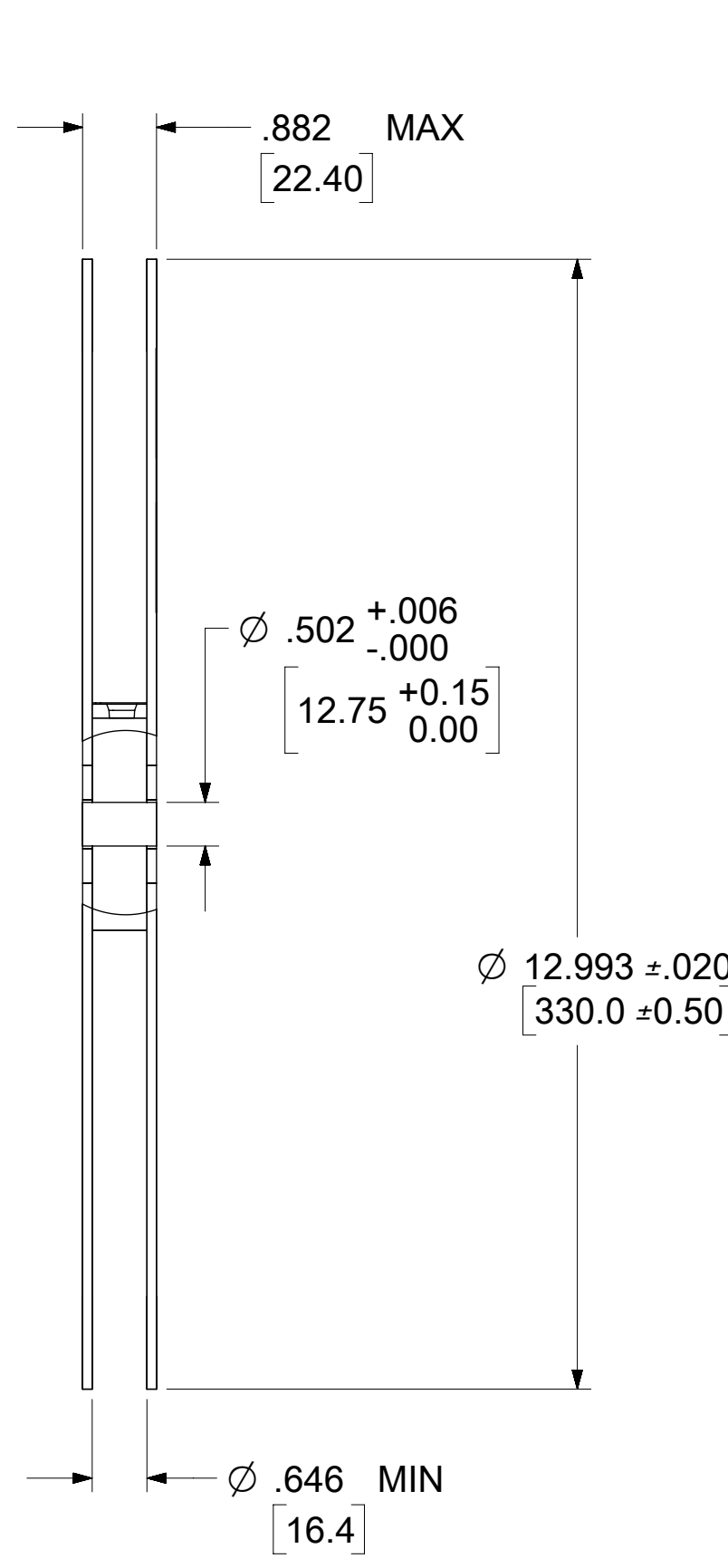


MATERIAL: POLYSTYRENE
 COLOR: BLACK
 0.40 ±0.05 [.016 ±.002] THICK

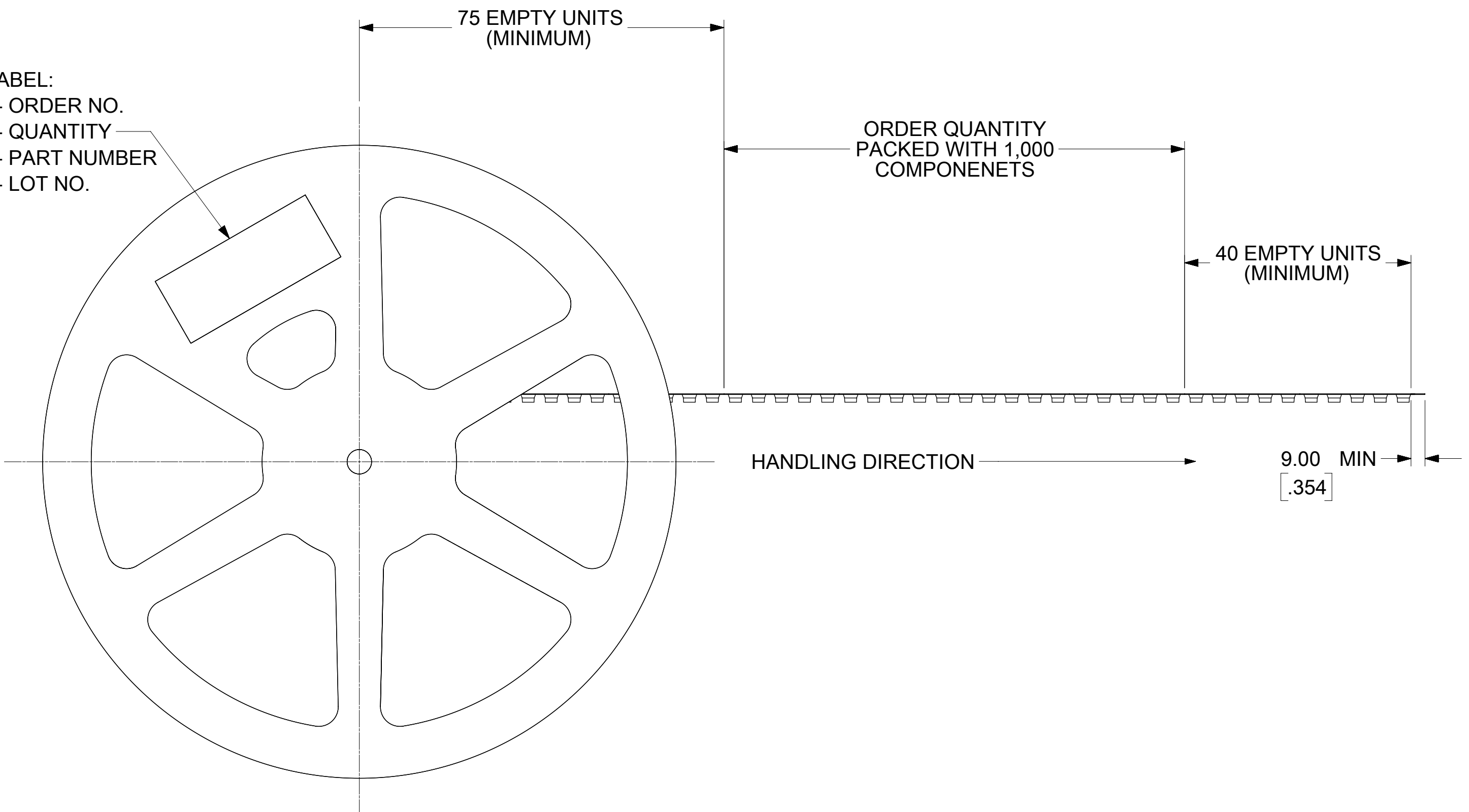
THIS DRAWING CONTAINS INFORMATION THAT IS PROPRIETARY TO MOLEX ELECTRONIC TECHNOLOGIES, LLC AND SHOULD NOT BE USED WITHOUT WRITTEN PERMISSION

DIMENSION UNITS	SCALE	CURRENT REV DESC: SEE ECM		molex		
HYBRID	NTS					
GENERAL TOLERANCES (UNLESS SPECIFIED)		EC NO: 177474		SMP, PLUG SMT		
ANGULAR TOL	± 2.0°	DRWN: RYEH		LIMITED DETENT SMP-P/PCB, EWR-11818		
4 PLACES	±	CHK'D: YCHENG		2018/05/23		
3 PLACES	±	APPR: YCHENG		2018/06/25		
2 PLACES	± 0.25	INITIAL REVISION:		PRODUCT CUSTOMER DRAWING		
1 PLACE	±	DRWN: AROBERTSON		DOCUMENT NUMBER		
0 PLACES	±	APPR: JWIENER		SD-85305-0232		
DRAFT WHERE APPLICABLE MUST REMAIN WITHIN DIMENSIONS		THIRD ANGLE PROJECTION	DRAWING	SERIES	MATERIAL NUMBER	CUSTOMER
			C-SIZE	85305	SEE TABLE	
				DOC TYPE	DOC PART	REVISION
				PSD	001	B12
				SHEET NUMBER		
				2 OF 3		

DOCUMENT STATUS	P1	RELEASE DATE	2018/06/25	01:40:02
-----------------	----	--------------	------------	----------



LABEL:
 - ORDER NO.
 - QUANTITY
 - PART NUMBER
 - LOT NO.



THIS DRAWING CONTAINS INFORMATION THAT IS PROPRIETARY TO MOLEX ELECTRONIC TECHNOLOGIES, LLC AND SHOULD NOT BE USED WITHOUT WRITTEN PERMISSION									
DIMENSION UNITS		SCALE		CURRENT REV DESC: SEE ECM				molex	
HYBRID		NTS							
GENERAL TOLERANCES (UNLESS SPECIFIED)				EC NO: 177474				SMP, PLUG SMT LIMITED DETENT SMP-P/PCB, EWR-11818	
ANGULAR TOL ± 2.0°				DRWN: RYEH 2018/05/23					
4 PLACES ±				CHK'D: YCHENG 2018/06/25					
3 PLACES ±				APPR: YCHENG 2018/06/25				PRODUCT CUSTOMER DRAWING	
2 PLACES ± 0.25				INITIAL REVISION:					
1 PLACE ±				DRWN: AROBERTSON 2005/07/29				DOCUMENT NUMBER	
0 PLACES ±				APPR: JWIENER 2005/08/01				SD-85305-0232	
DRAFT WHERE APPLICABLE MUST REMAIN WITHIN DIMENSIONS		THIRD ANGLE PROJECTION		DRAWING		SERIES		MATERIAL NUMBER	
				C-SIZE		85305		SEE TABLE	
CUSTOMER		DOC TYPE		DOC PART		REVISION		SHEET NUMBER	
		PSD		001		B12		3 OF 3	

DOCUMENT STATUS	P1	RELEASE DATE	2018/06/25	01:40:02
-----------------	----	--------------	------------	----------