

4

3

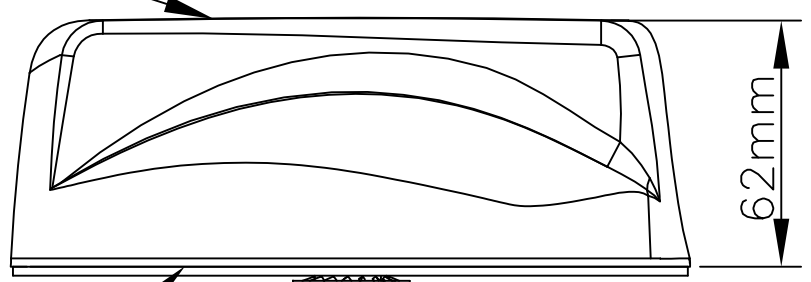
2

1

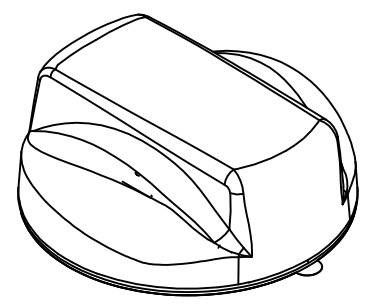
THIS DRAWING IS UNPUBLISHED.		RELEASED FOR PUBLICATION FEB ,2006.	
© COPYRIGHT 2006 By -		ALL RIGHTS RESERVED.	
PROJECT	PRJ-16-000905033		
PART NO	X-2823598-X		
HV DESC	MiMo with GPS,LOW PRO,2G/3G/4G,2.4/5.8 GHz		
CUSTOMER	GENERAL MARKET		

REVISIONS				
P	LTR	DESCRIPTION	DATE	APVD
	A1	REVISED PER ECR-16-014891	25NOV16	KK GG

HOUSING MOULDED IN WHITE A.S.A



62mm

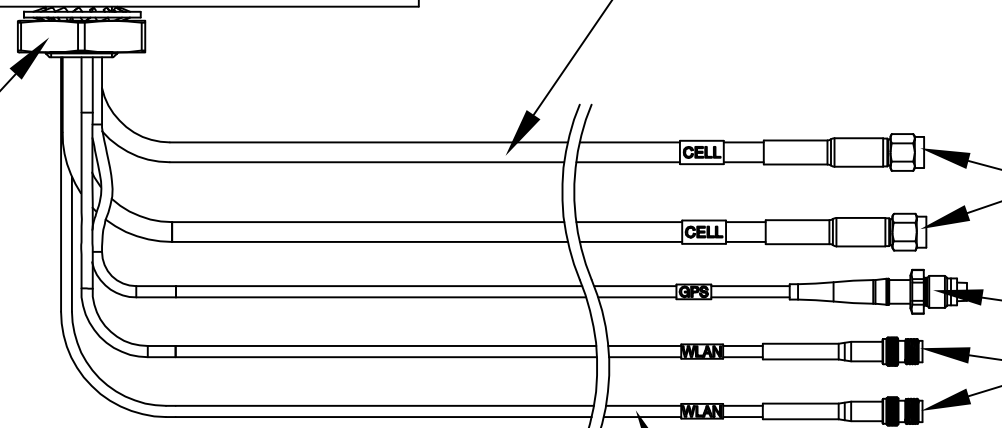


ISO VIEW

CS29 COAX CABLE 300mm LONG (2 POSITIONS)

BASE: ALUMINUM

SLOTTED NUT AND SHAKE PROOF WASHER

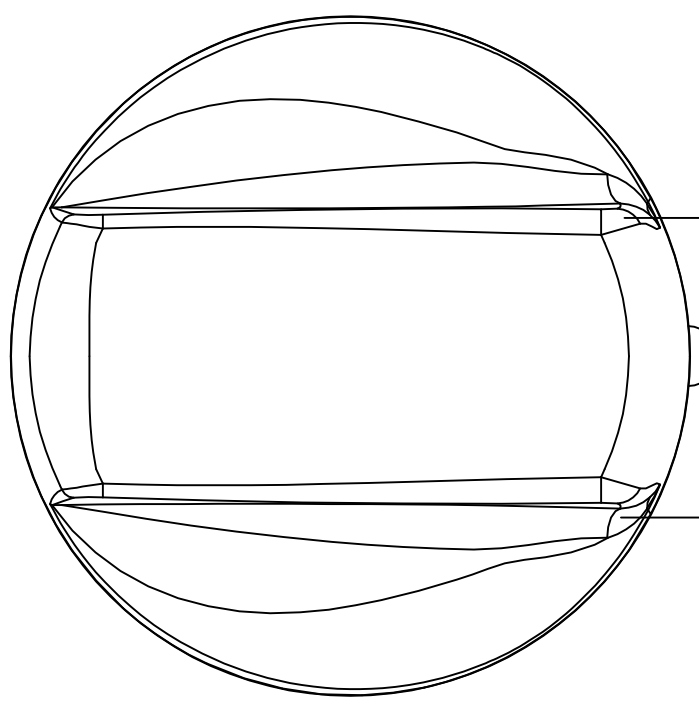


SMA PLUGS

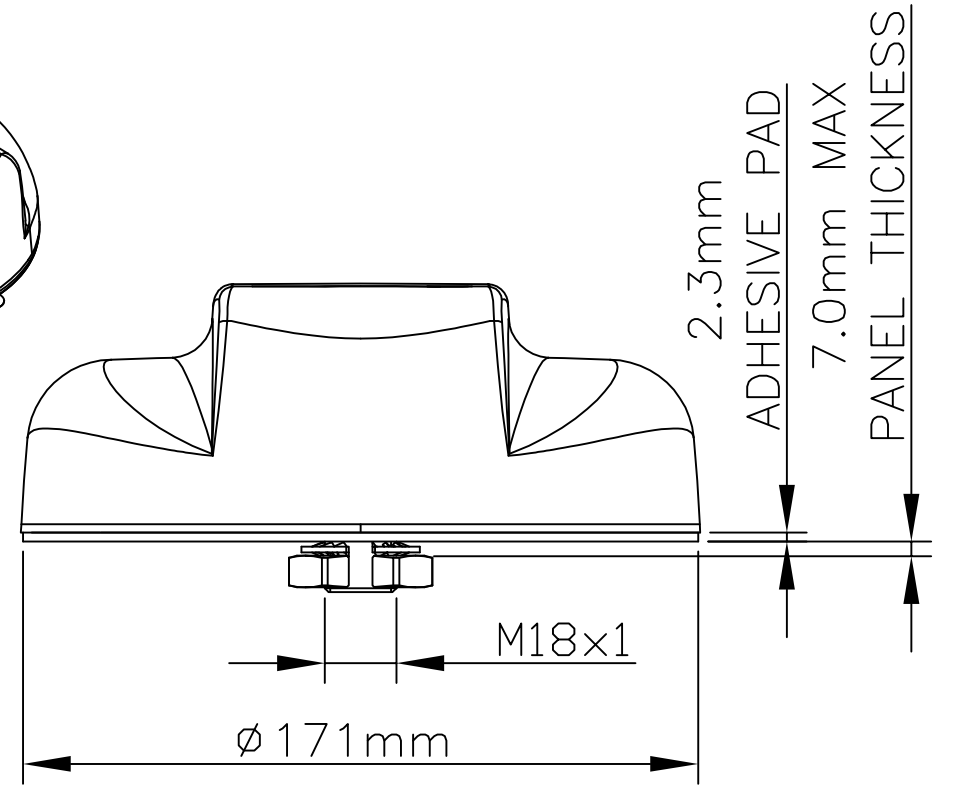
FME JACK

SMA JACKS

RG174 Ø 2.8 COAX CABLE 300mm LONG (3 POSITIONS)



74mm



- NOTES:
- ALL PARTS MUST BE RoHS COMPLIANT AND MUST NOT CONTAIN ANY SUBSTANCES OF VERY HIGH CONCERN (SVHCs) LISTED UNDER REACH OR POLYAROMATIC HYDRACARBONS (PAHs) OR PERSISTENT ORGANIC POLLUTANTS (POPs) CONTROLLED BY THE STOCKHOLM CONVENTION.
 - WEIGHT 480g(Approx)
 - FOR INSTALLATION INSTRUCTIONS,PLEASE REFER 408-156027
 - OPERATING FREQUENCIES:
 CELL FEED 1: 698-960 / 1710-2700 MHz
 CELL FEED 2: 698-960 / 1710-2700 MHz
 WIFI FEED 3: 2400-2485 / 4900-6000 MHz
 WIFI FEED 4: 2400-2485 / 4900-6000 MHz
 GPS FEED 5: 1575 MHz 26dB LNA

TE PN'S	DESCRIPTION	REMARKS
1-2823598-2	MiMo with GPS,LOW PROFILE,2G/3G/4G &	BLACK COLOR
1-2823598-1	2.4/5.8 GHz	WHITE COLOR

THIS DRAWING IS A CONTROLLED DOCUMENT.

DIMENSIONS:	TOLERANCES UNLESS OTHERWISE SPECIFIED:
mm	
0 PLC	± 5
1 PLC	± -
2 PLC	± -
3 PLC	± -
4 PLC	± -
ANGLES	± -
MATERIAL	FINISH
-	-

DWN	16JUN16
CHK	GUNA
APVD	16JUN16
PRODUCT SPEC	-
APPLICATION SPEC	-
WEIGHT	-
CUSTOMER DRAWING	

		NAME	
		-	
MiMo with GPS,LOW PRO,2G/3G/4G and 2.4/5.8 GHz		RESTRICTED TO	
LTE(2x2) + WLAN(2x2)		-	
SIZE	CAGE CODE	DRAWING NO	REV
A3	00779	C=2823598	A1
SCALE NTS		SHEET 1 of 1	