

4

3

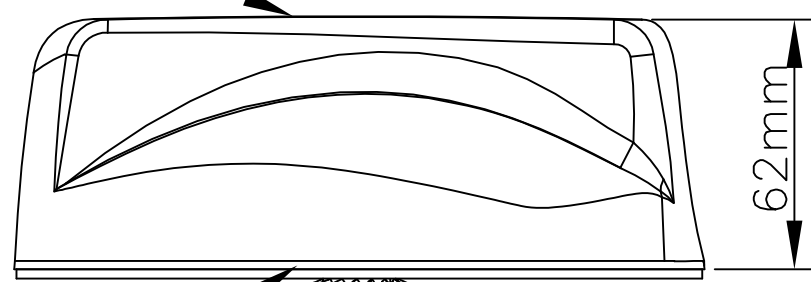
2

1

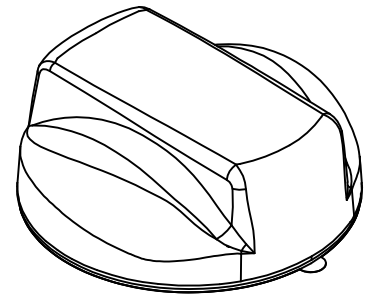
| | | | |
|------------------------------|---|-------------------------------------|--|
| THIS DRAWING IS UNPUBLISHED. | | RELEASED FOR PUBLICATION FEB ,2006. | |
| © COPYRIGHT 2006 By - | | ALL RIGHTS RESERVED. | |
| PROJECT | PRJ-16-000905033 | | |
| PART NO | X-2823597-X | | |
| HV DESC | MiMo without GPS,LOW PRO,2G/3G/4G & 2.4/5.8 GHz | | |
| CUSTOMER | GENERAL MARKET | | |

| REVISIONS | | | | |
|-----------|-----|---------------------------|---------|-------|
| P | LTR | DESCRIPTION | DATE | APVD |
| | A1 | REVISED PER ECR-16-014891 | 25NOV16 | KK GG |

HOUSING MOULDED IN WHITE A.S.A

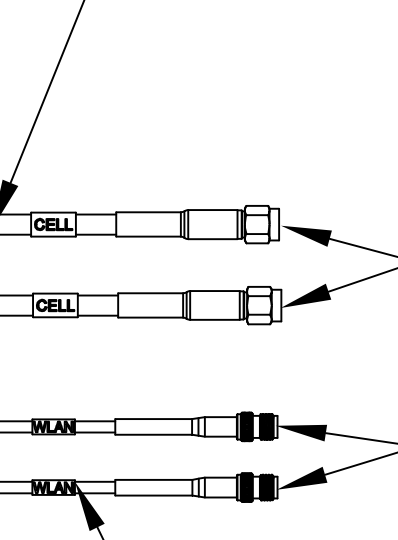


62mm



ISO VIEW

CS29 COAX CABLE 300mm LONG (2 POSITIONS)

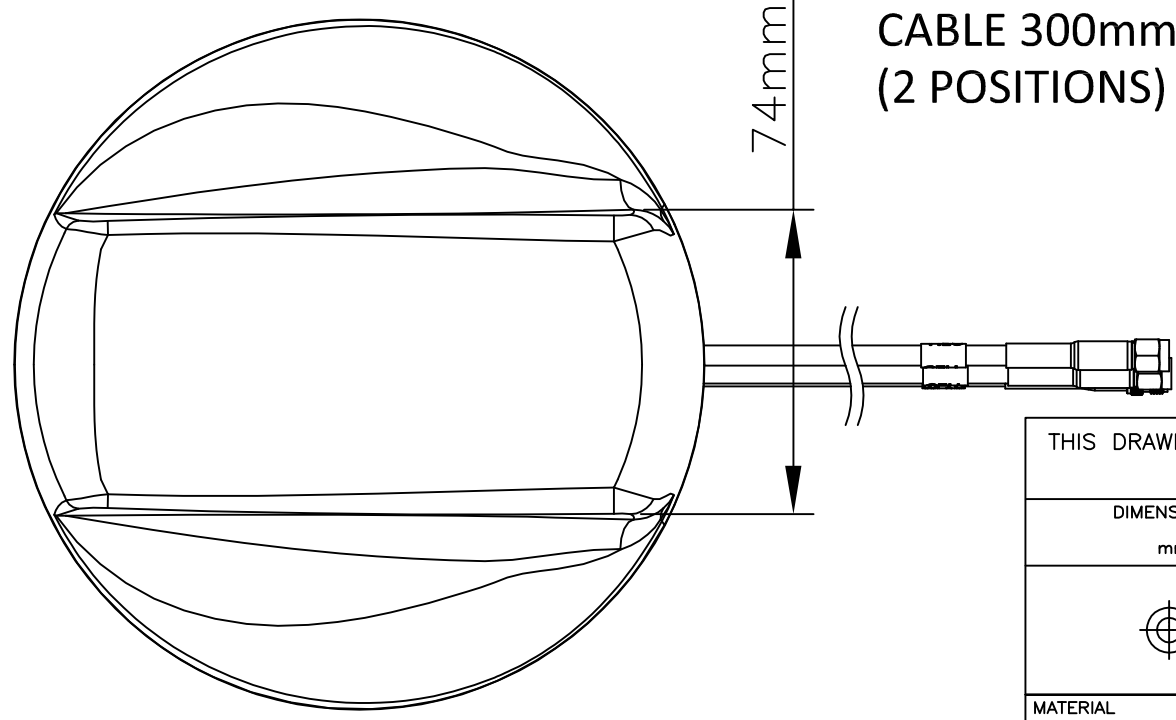


SMA PLUGS

SMA JACKS

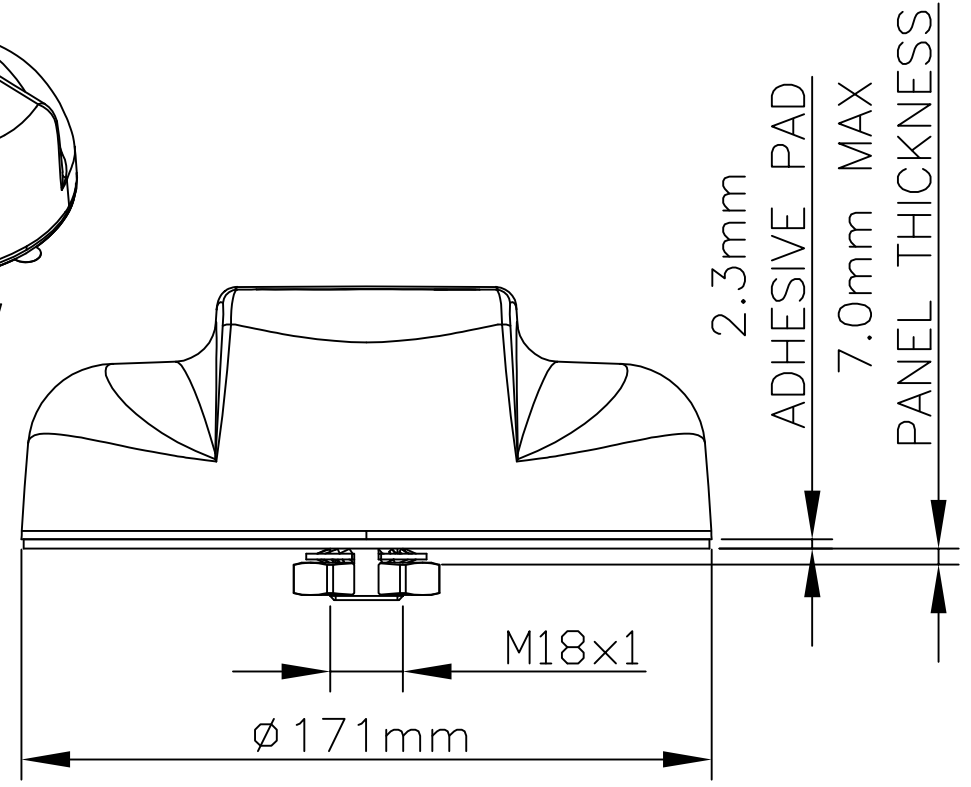
RG174 Ø 2.8 COAX CABLE 300mm LONG (2 POSITIONS)

74mm



BASE: ALUMINUM

SLOTTED NUT AND SHAKE PROOF WASHER



2.3mm ADHESIVE PAD
7.0mm MAX PANEL THICKNESS

M18x1

Ø171mm

NOTES:

1. ALL PARTS MUST BE RoHS COMPLIANT AND MUST NOT CONTAIN ANY SUBSTANCES OF VERY HIGH CONCERN (SVHCs) LISTED UNDER REACH OR POLYAROMATIC HYDRACARBONS (PAHs) OR PERSISTENT ORGANIC POLLUTANTS (POPs) CONTROLLED BY THE STOCKHOLM CONVENTION.
2. WEIGHT 480g(Approx)
3. FOR INSTALLATION INSTRUCTIONS,PLEASE REFER 408-156027
- 4.OPERATING FREQUENCIES:
CELL FEED 1: 698-960 / 1710-2700 MHz
CELL FEED 2: 698-960 / 1710-2700 MHz
WIFI FEED 3: 2400-2485 / 4900-6000 MHz
WIFI FEED 4: 2400-2485 / 4900-6000 MHz

| 1-2823597-2 | MiMo without GPS,LOW PROFILE,2G/3G/4G & | BLACK COLOR |
|-------------|---|-------------|
| 1-2823597-1 | 2.4/5.8 GHz | WHITE COLOR |
| TE PN'S | DESCRIPTION | REMARKS |

THIS DRAWING IS A CONTROLLED DOCUMENT.

| | | | |
|-------------------|--------|--|--|
| DIMENSIONS: mm | | TOLERANCES UNLESS OTHERWISE SPECIFIED: | |
| | 0 PLC | ± 5 | |
| | 1 PLC | ± - | |
| | 2 PLC | ± - | |
| | 3 PLC | ± - | |
| | 4 PLC | ± - | |
| | ANGLES | ± - | |
| MATERIAL | FINISH | | |
| - | - | | |

| | | |
|------------------|------|---------|
| DWN | GUNA | 16JUN16 |
| CHK | GUNA | 16JUN16 |
| APVD | | 16JUN16 |
| PRODUCT SPEC | | |
| APPLICATION SPEC | | |
| WEIGHT | | |
| CUSTOMER DRAWING | | |

| | | | |
|--|-----------|-----------------|---------------|
| TE Connectivity | | | |
| NAME TRANSIT ANTENNA MiMo without GPS,LOW PRO,2G/3G/4G,2.4/5.8 GHz LTE(2x2)+WLAN(2x2) | | | |
| SIZE | CAGE CODE | DRAWING NO | RESTRICTED TO |
| A3 | 00779 | C=2823597 | - |
| SCALE NTS | | SHEET 1 of 1 | REV A1 |