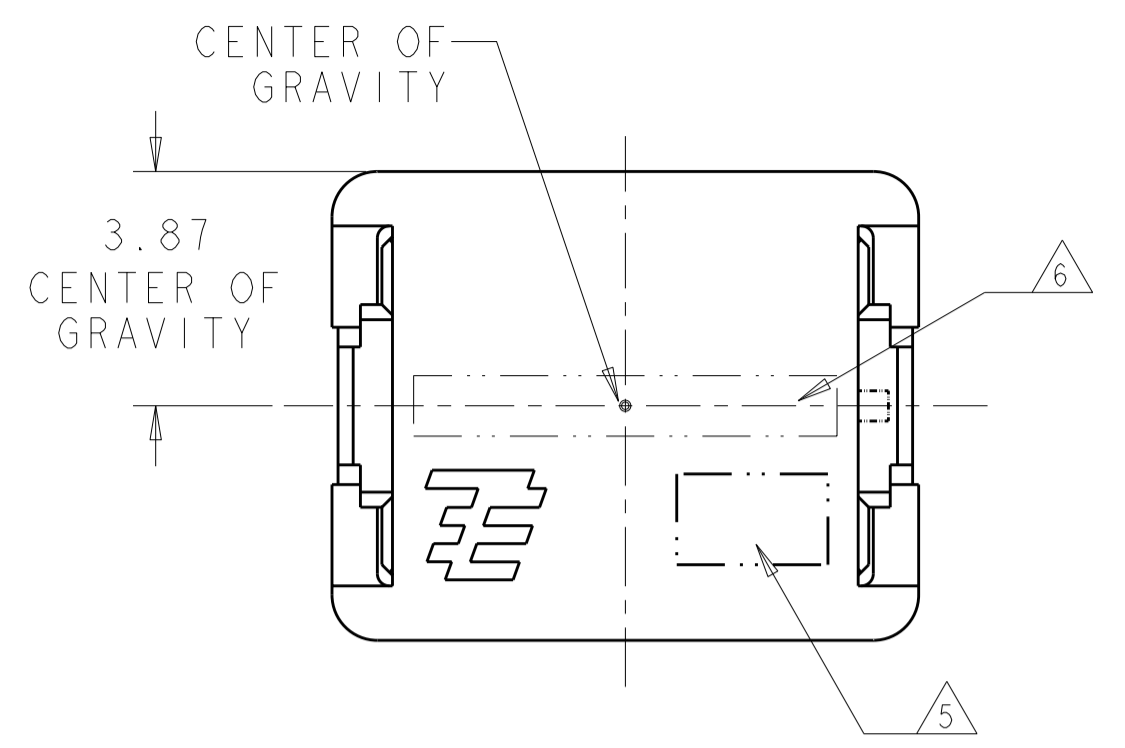
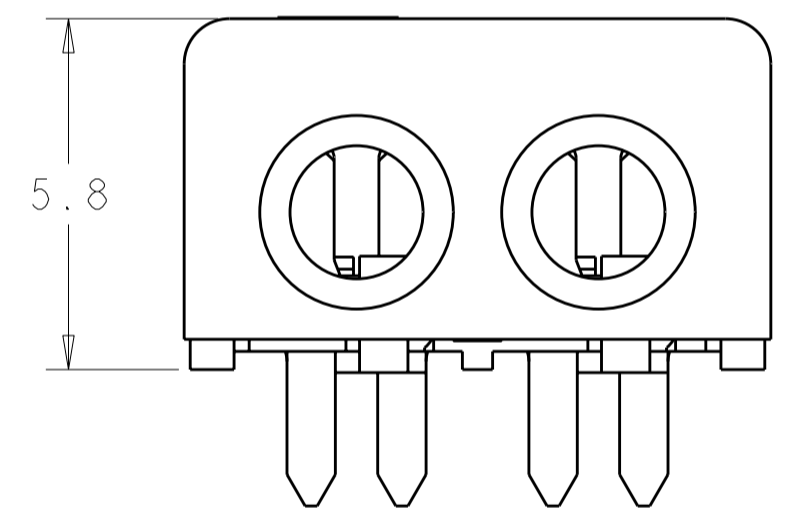
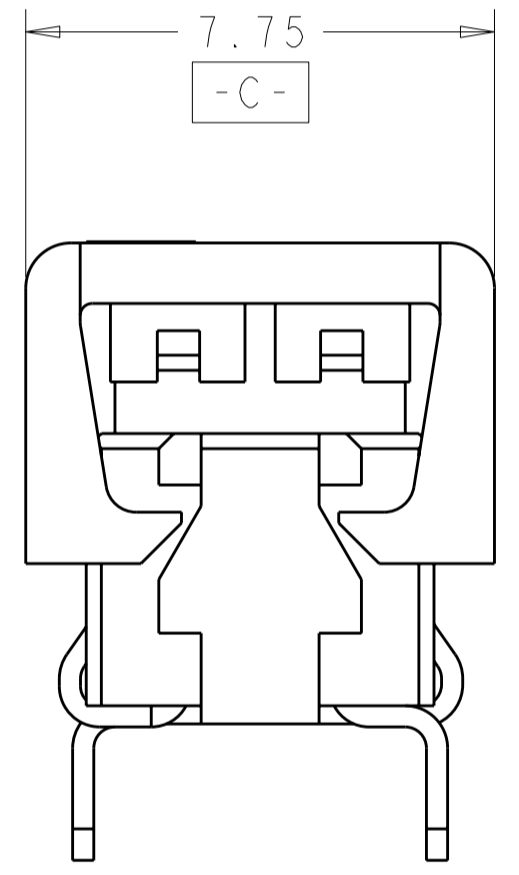
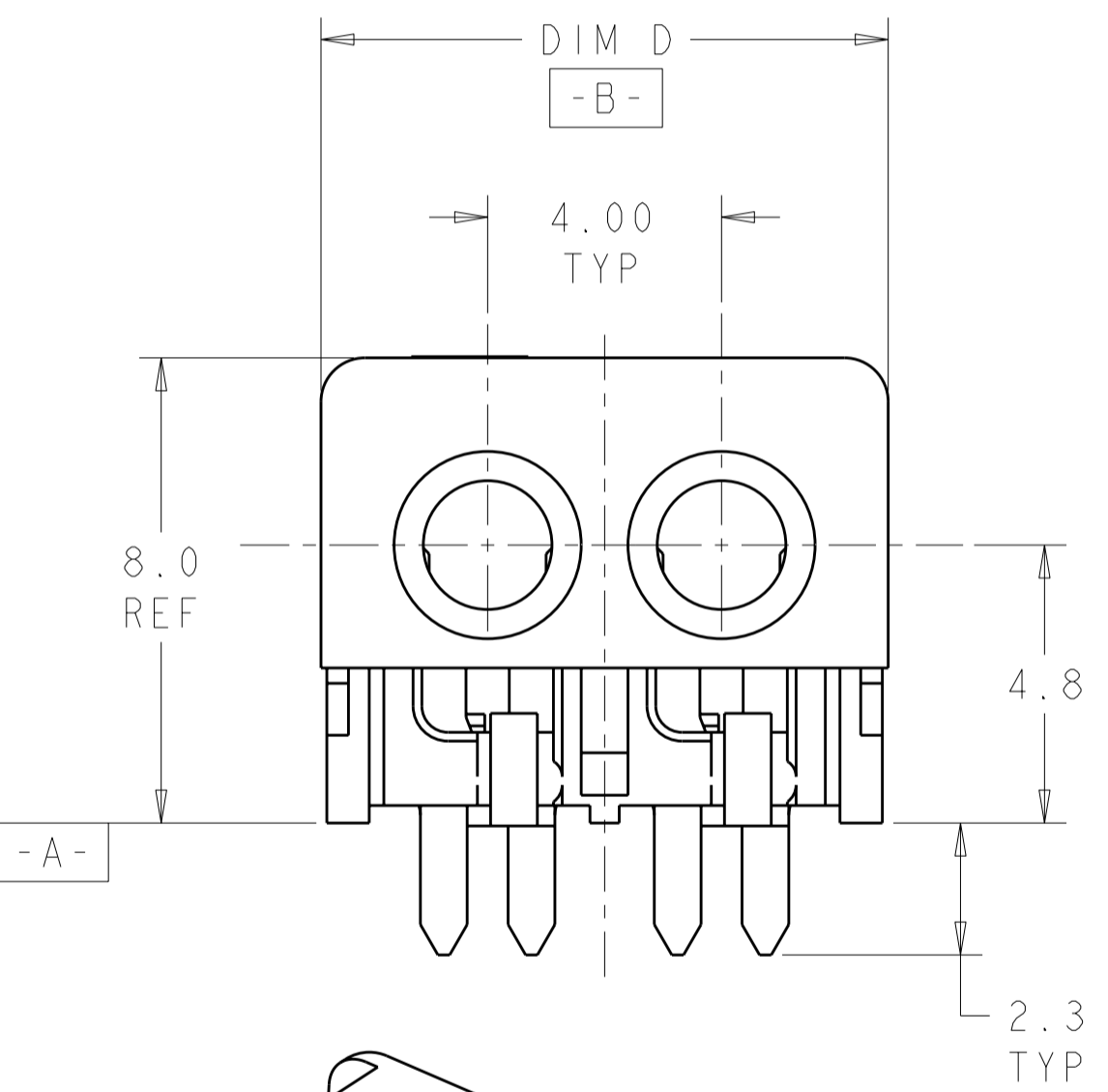


THIS DRAWING IS UNPUBLISHED. RELEASED FOR PUBLICATION 20  
 © COPYRIGHT 20 BY - ALL RIGHTS RESERVED.

LOC	DIST	REVISIONS					
CM	00	P	LTR	DESCRIPTION	DATE	DWN	APVD
		A		REVISED PER ECR-10-025509	15DEC2010	HMR	DD
		AI		REVISED PER ECR-12-003555	19APR2012	RS	DD

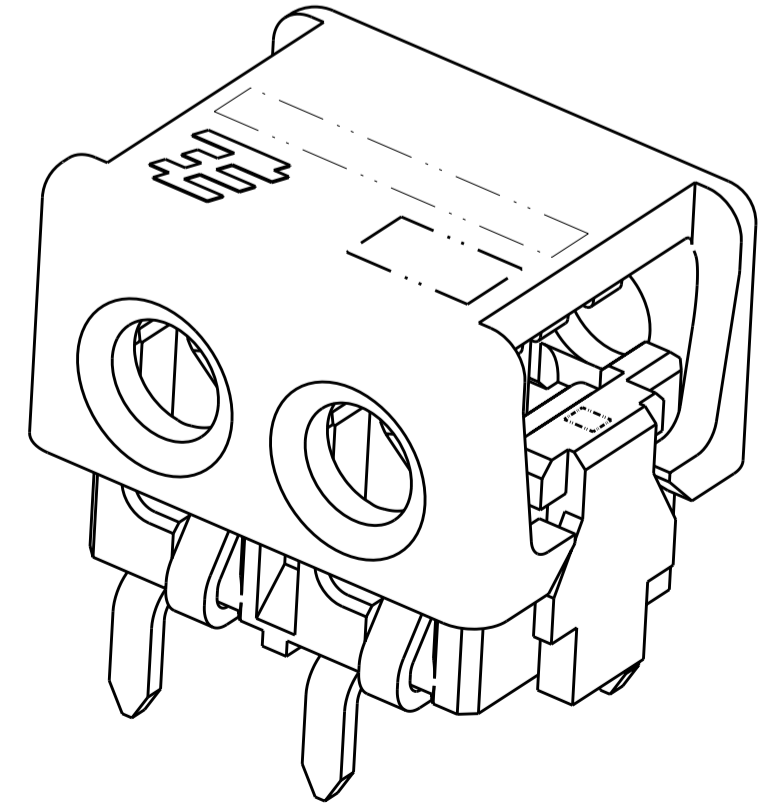


2 POSITION SHOWN AS SHIPPED



2 POSITION SHOWN CLOSED SCALE 8:1

- 1. MATERIALS AND FINISH:
    - HOUSING: LCP, COLOR: NATURAL
    - CONTACTS: COPPER ALLOY, FINISH: Sn OVER Ni
  - 2. COMPLY WITH DIRECTIVE 2002/95/EC (ROHS)
  - 3. 18AWG SOLID OR STRANDED WIRE, PRE-BONDED, 19 STRANDS OR LESS:
    - 18 AWG MAX INSULATION OD 2.20
    - 20 AWG MAX INSULATION OD 1.90
    - 22 AWG MAX INSULATION OD 1.70
    - 24 AWG MAX INSULATION OD 1.45
  - 4. PACKAGE IN TAPE AND REEL PER EIA-481 SPECIFICATION
5. WIRE SIZE MARKING IN APPROXIMATE LOCATION SHOWN.
6. COLOR CODE MARKING, STRAIGHT LINE.
7. ONE POSITION ASSEMBLY DOES NOT COMPLY WITH EIA 481 SPECIFICATION.



RED	17.70	24 AWG	4	3-2106751-4
	13.70	24 AWG	3	3-2106751-3
	9.70	24 AWG	2	3-2106751-2
	5.70	24 AWG	1	3-2106751-1
GREEN	17.70	22 AWG	4	2-2106751-4
	13.70	22 AWG	3	2-2106751-3
	9.70	22 AWG	2	2-2106751-2
	5.70	22 AWG	1	2-2106751-1
BLUE	17.70	20 AWG	4	1-2106751-4
	13.70	20 AWG	3	1-2106751-3
	9.70	20 AWG	2	1-2106751-2
	5.70	20 AWG	1	1-2106751-1
YELLOW	17.70	18 AWG	4	2106751-4
	13.70	18 AWG	3	2106751-3
	9.70	18 AWG	2	2106751-2
	5.70	18 AWG	1	2106751-1
COLOR CODE	DIM D	WIRE SIZE	POSN	PART NUMBER

THIS DRAWING IS A CONTROLLED DOCUMENT. DWN 26AUG2009 WM VAN SCYOC  
 CHK 26AUG2009 O.OSAGIE  
 APVD -

TE Connectivity

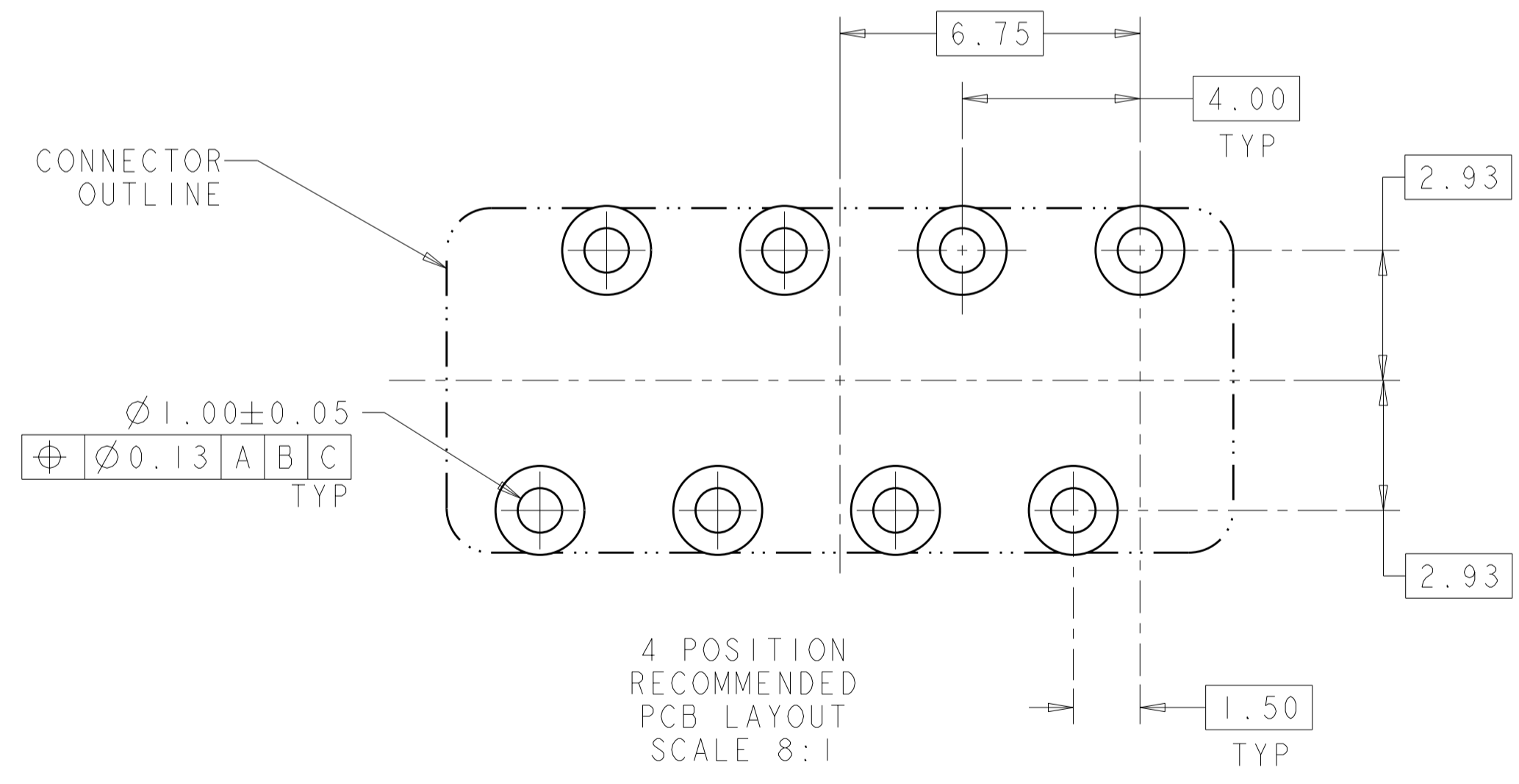
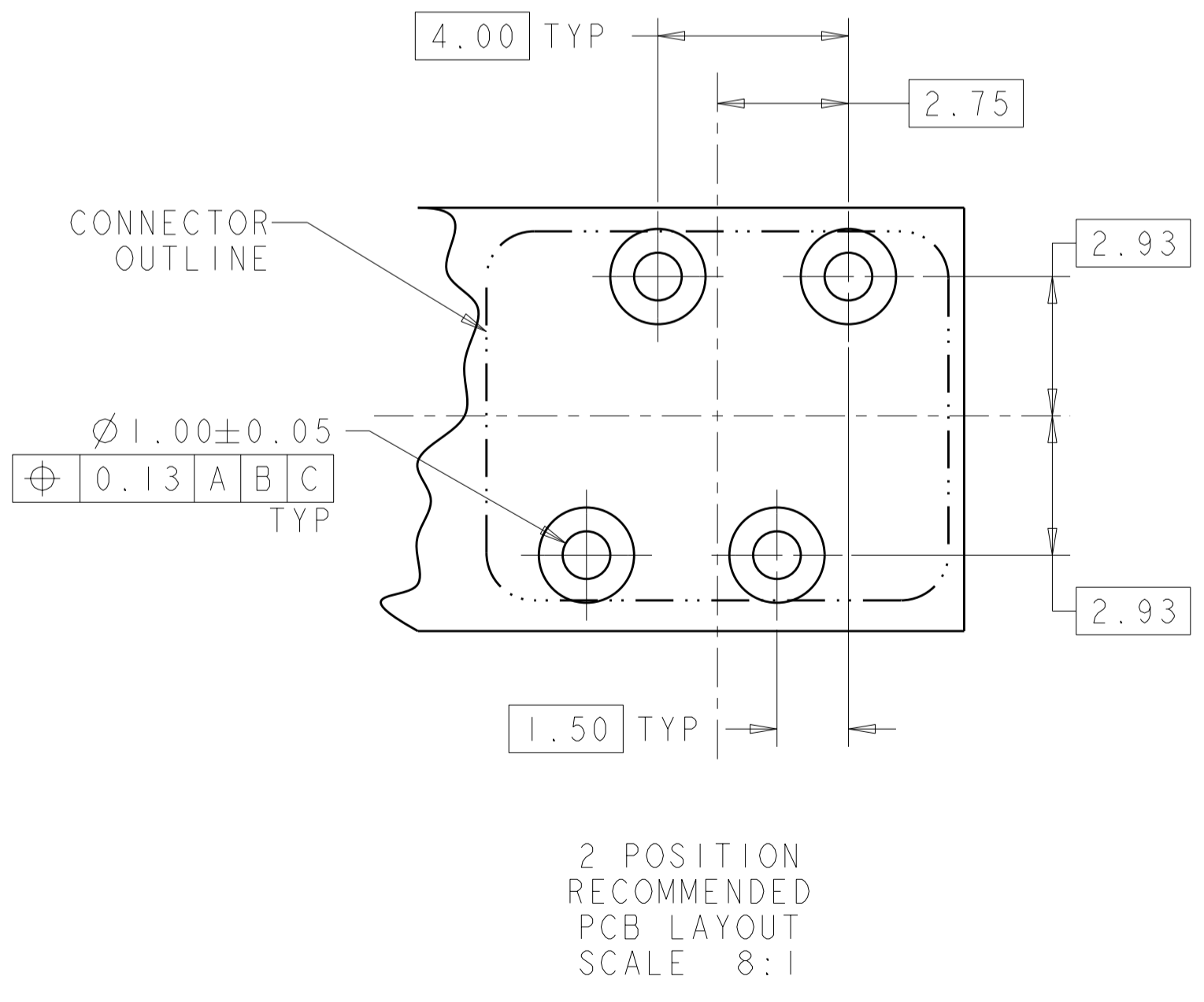
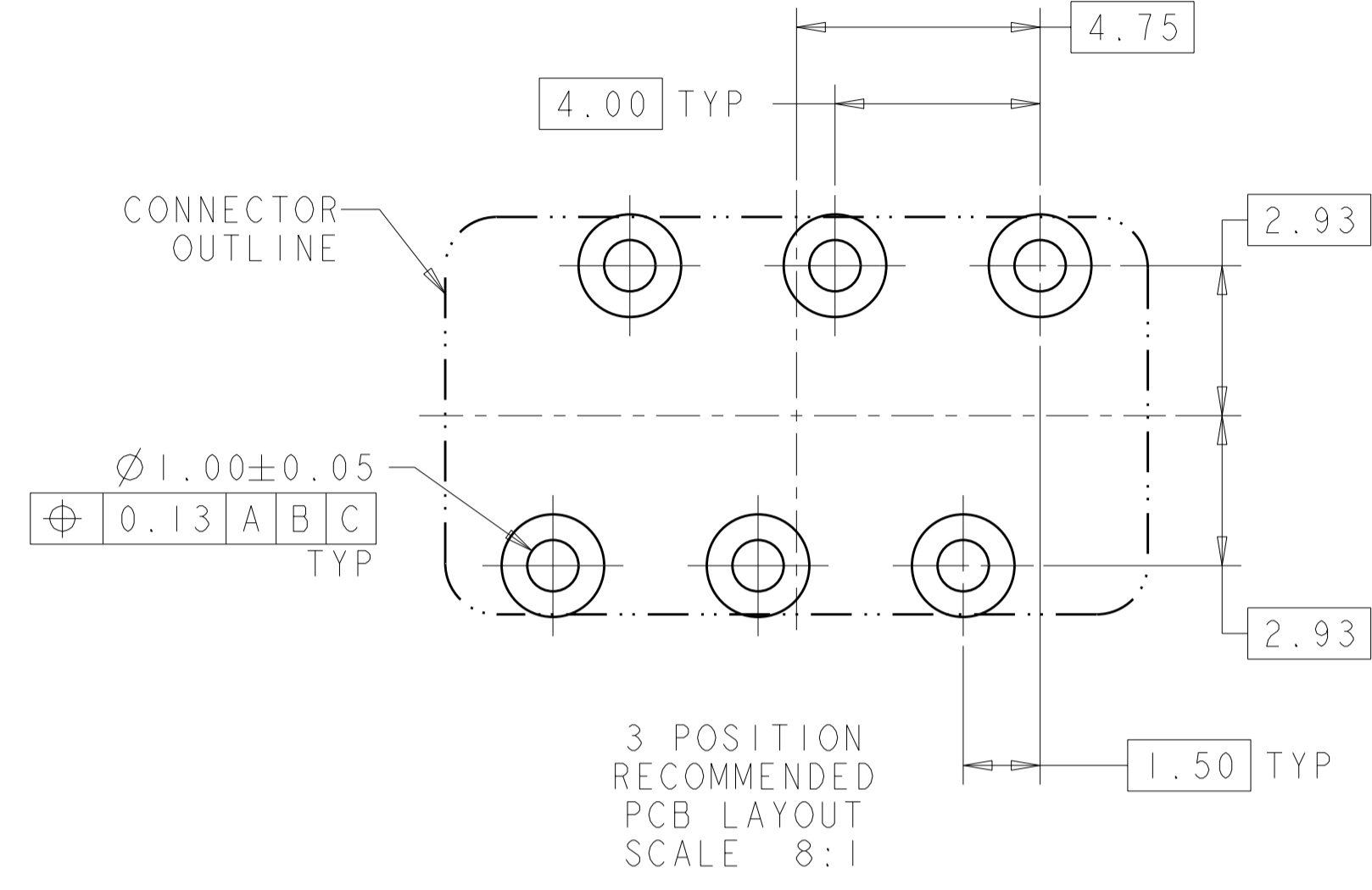
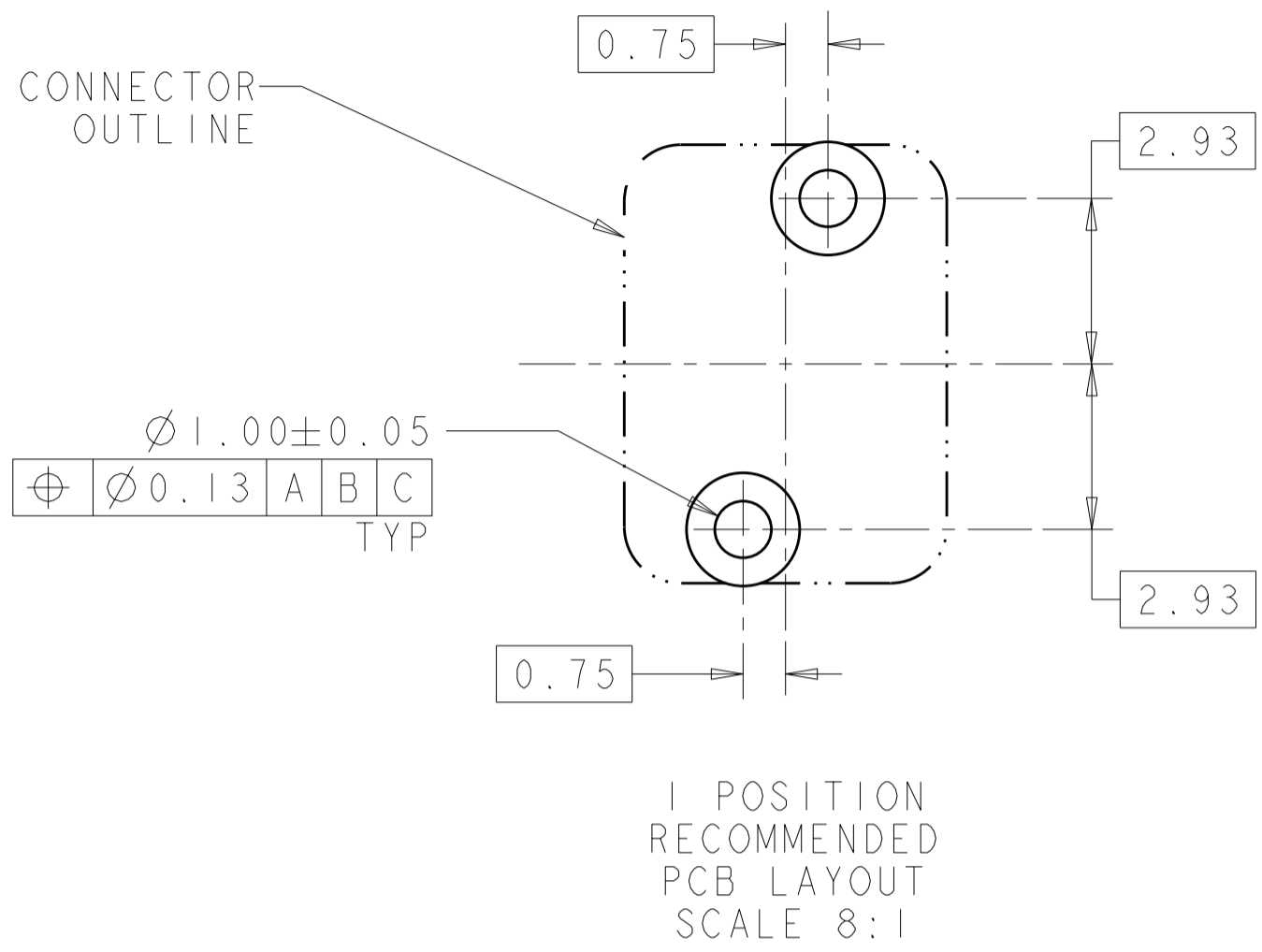
ASSEMBLY, IDC SSL CONNECTOR, THROUGH HOLE, PASS THRU

SIZE A2 CAGE CODE 00779 DRAWING NO. C-2106751 RESTRICTED TO -

CUSTOMER DRAWING SCALE 6:1 SHEET 1 OF 3 REV AI

THIS DRAWING IS UNPUBLISHED. RELEASED FOR PUBLICATION 20  
 © COPYRIGHT 20 BY - ALL RIGHTS RESERVED.

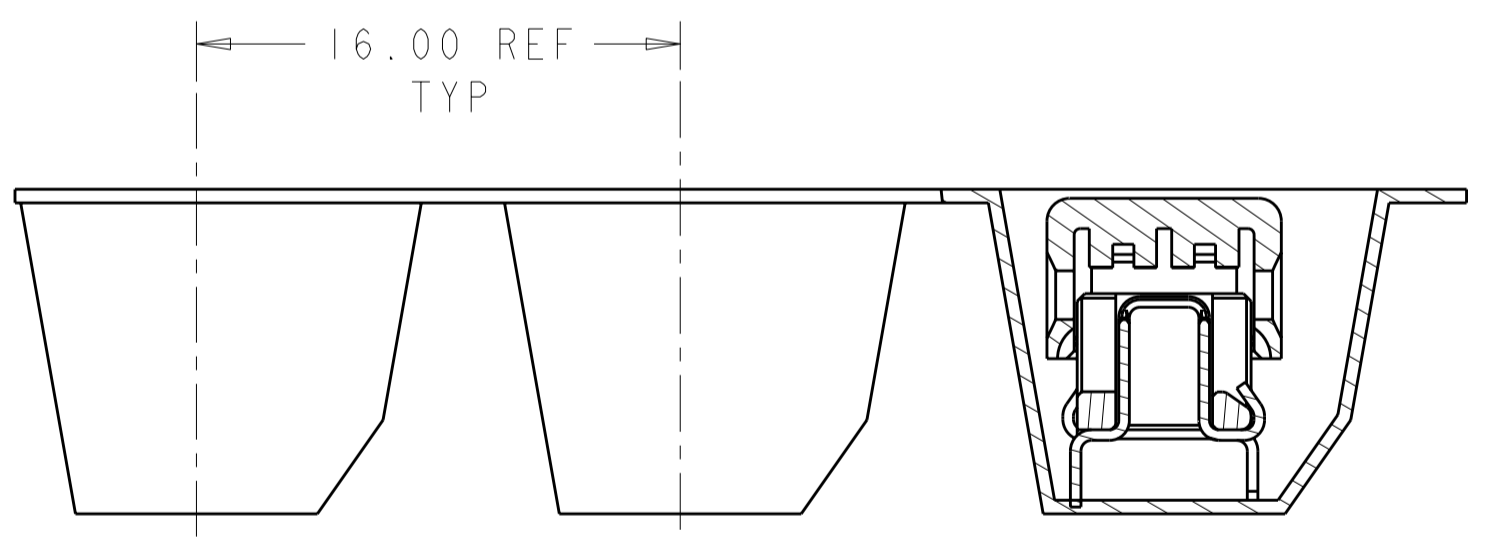
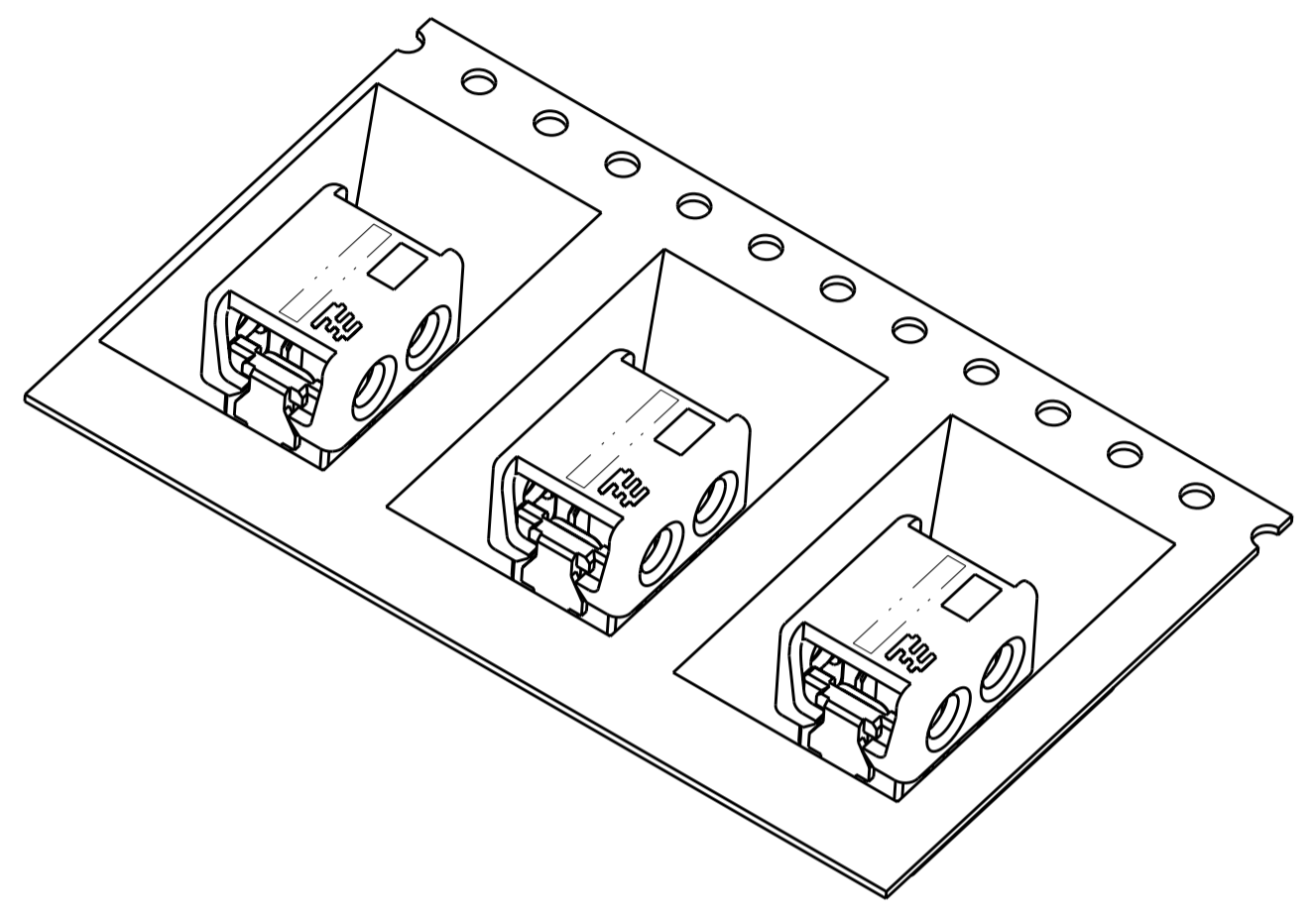
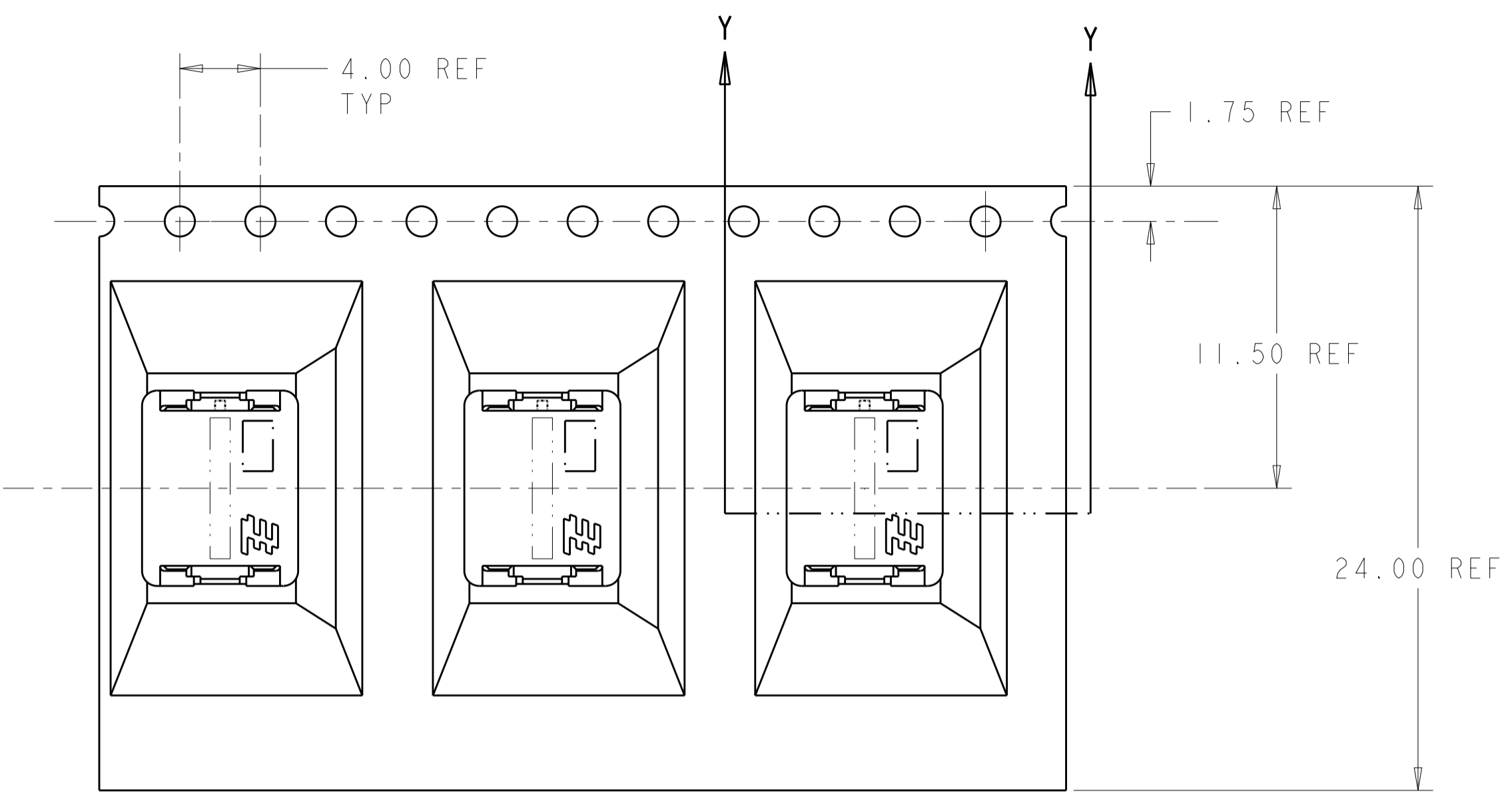
LOC	DIST	REVISIONS					
CM	00	P	LTR	DESCRIPTION	DATE	DWN	APVD
		-		SEE SHEET 1			



THIS DRAWING IS A CONTROLLED DOCUMENT.		DWN 26AUG2009 WM VAN SCYOC	<b>STE</b> TE Connectivity	
DIMENSIONS: mm		CHK 26AUG2009 O. OSAGIE		
TOLERANCES UNLESS OTHERWISE SPECIFIED:		APVD -	NAME	
0 PLC ±		PRODUCT SPEC	ASSEMBLY, IDC SSL CONNECTOR, THROUGH HOLE, PASS THRU	
1 PLC ±0.5		108-2404	SIZE	CAGE CODE
2 PLC ±0.13		APPLICATION SPEC	A200779	2106751
3 PLC ±		114-13266	DRAWING NO	RESTRICTED TO
4 PLC ±		WEIGHT -	-	
MATERIAL		CUSTOMER DRAWING	SCALE 8:1	SHEET 2 OF 3
FINISH			REV	AI

THIS DRAWING IS UNPUBLISHED. RELEASED FOR PUBLICATION 20  
 © COPYRIGHT 20 BY - ALL RIGHTS RESERVED.

LOC	DIST	REVISIONS					
CM	00	P	LTR	DESCRIPTION	DATE	DWN	APVD
		-		SEE SHEET 1			



SECTION Y-Y

2106751-2 SHOWN IN POCKET TAPE

THIS DRAWING IS A CONTROLLED DOCUMENT.		DWN 26AUG2009 WM VAN SCYOC	TE Connectivity	
DIMENSIONS: mm		CHK 26AUG2009 O. OSAGIE		
TOLERANCES UNLESS OTHERWISE SPECIFIED:		APVD -	NAME	
0 PLC ±-	1 PLC ±0.5	PRODUCT SPEC	ASSEMBLY, IDC SSL CONNECTOR, THROUGH HOLE, PASS THRU	
2 PLC ±0.13	3 PLC ±-	108-2404	SIZE	CAGE CODE
4 PLC ±-	ANGLES ±-	APPLICATION SPEC	A200779	DRAWING NO
FINISH ±-		114-13266	C-2106751	
MATERIAL		WEIGHT	RESTRICTED TO	
			-	
		CUSTOMER DRAWING	SCALE 6:1	SHEET 3 OF 3 REV A1