

Data Sheet

- ITEM : COMMON MODE FILTER
- PART NO : ICMF112P350MFR

ITEM	P/N	Page
Common Mode Filter	ICMF112P350MFR	2

1. GENERALS

- This specification covers the engineering requirements for the ICMF112P350M (Common Mode Filter)

2. FEATURES

- Effective for suppressing common mode noise and almost no effect for high speed differential data line
- Ultra low profile (1.2 x 1.0 x 0.6mm)
- Ceramic multilayer type SMD component
- Non-polarized product
- It is a product conforming to RoHS directive.

3. APPLICATIONS

- LVDS lines in notebook computers
- USB3.0, IEEE1394, DVI, HDMI lines in PDP, LCD TV, DVD Player, PC, Audio player, DSC
- MDDI, MIPI in mobile phone

4. PRODUCT SPECIFICATIONS

4. 1 PART NUMBER CODE

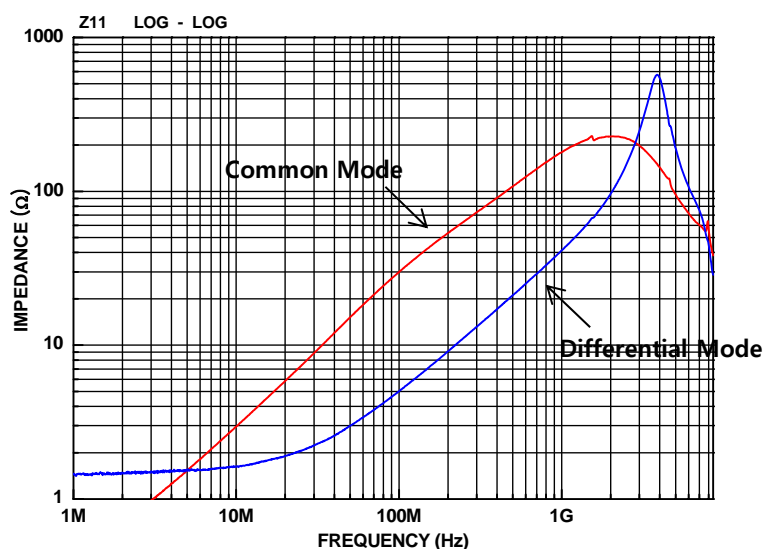
ICMF 11 2P 350 M
 ① ② ③ ④ ⑤

- ① Series name of ICT's Common Mode Filter
- ② Dimensions, 1.25mm (L) x 1.0mm (W)
- ③ The Number of lines, 2P = 2 lines
- ④ Common Mode Impedance (at 100MHz), 350= 35Ω
- ⑤ Tolerance of common mode impedance, M= ±25%

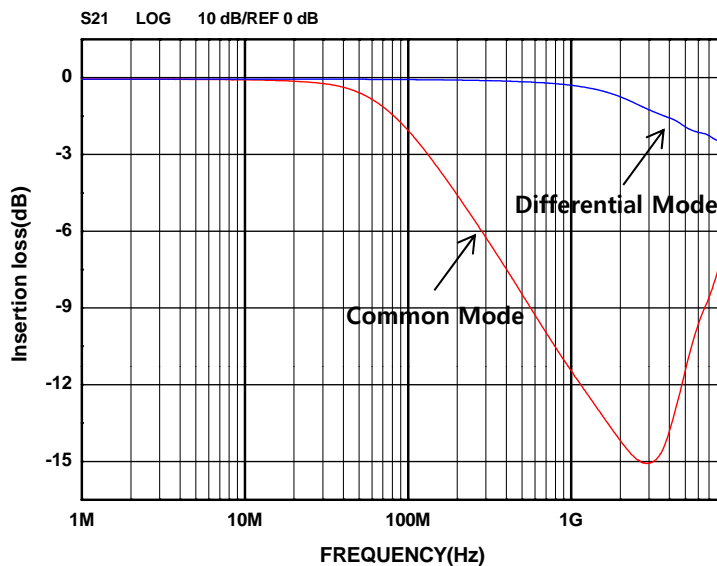
4. 2 SPECIFICATION OF ELECTRICAL CHARACTERISTICS

Characteristics	Common Mode Impedance	Resistance	Insulation Resistance	Rated Current
symbol	Z_{CM}	R_{DC}	IR_{CR}	I_R
Units	Ω	Ω	$M\Omega$	mA
Test Condition	@100MHz	$25^{\circ}C \pm 2^{\circ}C$	10V	$25^{\circ}C \pm 2^{\circ}C$
Value	35($\pm 25\%$)	Max 4.0	Max 10	Max 100

- Impedance Curves



- Transmission characteristics (S-parameter)

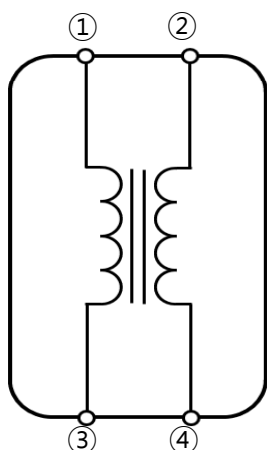


ITEM	P/N	Page
Common Mode Filter	ICMF112P350MFR	4

4. 3 OPERATING TEMPERATURE

DESCRIPTION	REQUIREMENTS
Operating Temperature	-40°C ~ + 85°C

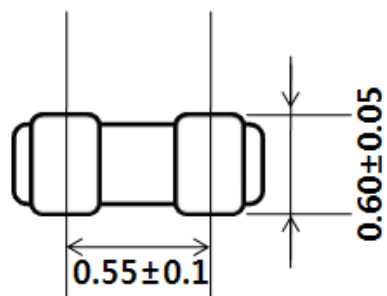
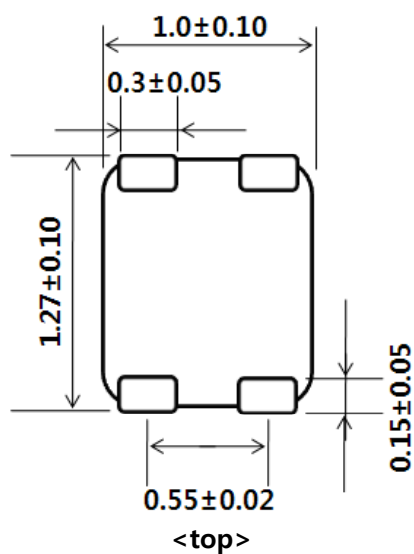
5. EQUIVALENT CIRCUIT



PIN NUMBER	DESCRIPTION
① ~ ④	DATA LINE

6. MECHANICAL PROPERTY

6. 1 Appearance and Dimension



Unit : mm