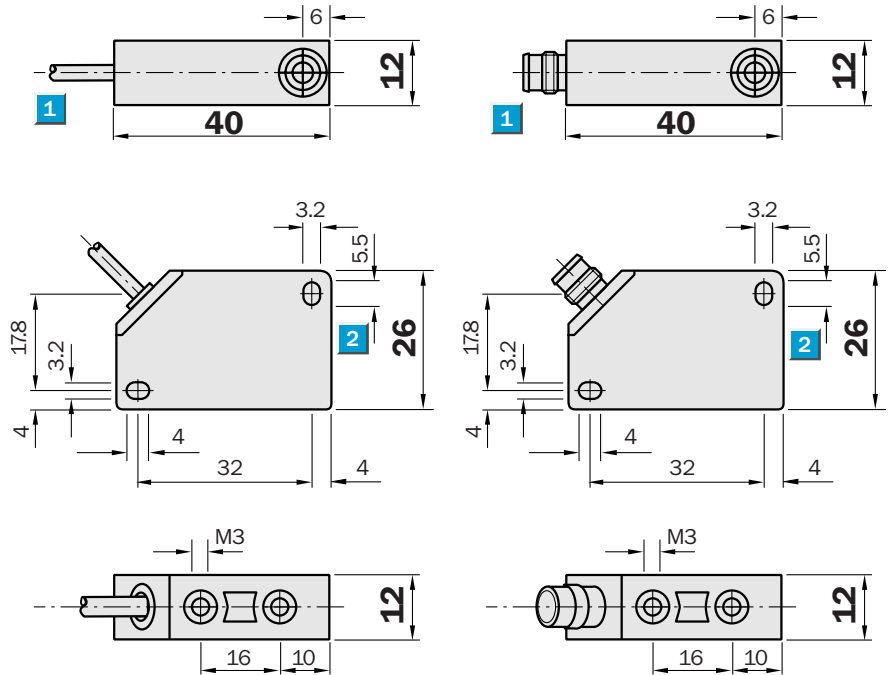


Sensing range
3 / 6 mm

Inductive sensor

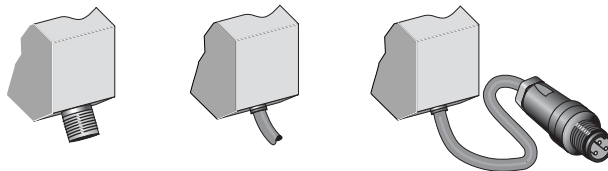
- Can be installed flush or non-flush in metal
- High switching frequency
- Short-circuit protection (pulsed)
- Plastic housing
- Enclosure rating IP 67
- ATEX 3D

Dimensional drawing



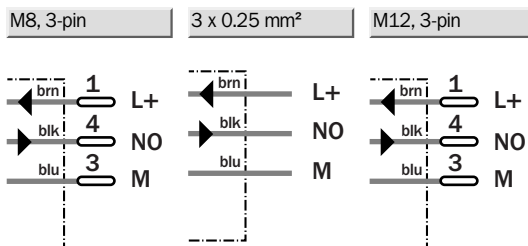
Connection type

IQ12-03BNS-KTO	IQ12-03BNS-KUO	IQ12-06NPS-KQX
IQ12-03BPS-KTO	IQ12-03BPS-KUO	
IQ12-06NPS-KTO	IQ12-06NPS-KUO	



Accessories

Connector, M12, 4-pin
Connector, M8, 3-pin



Technical specifications		IQ12-	03BNS -KU0	03BPS -KU0	03BNS -KTO	03BPS -KTO	06NPS -KU0	06NPS -KTO	06NPS -KQX			
Sensing range S_n	3 mm											
	6 mm											
Electrical configuration	DC 3-wire											
Supply voltage V_s	DC 6 ... 36 V											
Ripple U _{pp}	≤ 10 % ¹⁾											
Voltage drop U _d	≤ 1.5 V ²⁾											
Power consumption	≤ 5 mA ³⁾											
Continuous current I_a	≤ 300 mA											
	100 mA											
Time delay before availability t _v	≤ 10 ms											
Hysteresis H, of s _r	1 ... 15 %											
Repeatability R	≤ 1 % (U _b and T _a constant) ⁴⁾											
Temperature drift, of s _r	± 10 %											
EMC	According to EN 60947-5-2											
Switching output	NPN											
	PNP											
Output function	Normally open											
Installation	Flush											
	Non-flush											
Connection type	Cable, PUR-PVC, 2 m											
	Connector, M8, 3-pin											
	Cable with plug, M12, 3-pin, 300 m											
Enclosure rating	IP 67 ⁵⁾											
Approval for ATEX-zone	3D ⁶⁾											
Max. switching frequency	3,000 Hz											
	1,000 Hz											
Dimensions	12 x 26 x 40 mm ⁷⁾											
	12 x 26 x 49 mm ⁷⁾											
Wire-break protection	✓											
Short-circuit protection	✓ ⁸⁾											
Reverse polarity protection	✓											
Power-up pulse suppression	✓											
Shock/vibration stress	30 g, 11 ms/10 ... 55 Hz, 1 mm											
Ambient temperature T _a	-25 °C ... +75 °C											
	-20 °C ... +60 °C											
Housing material	Plastic											

¹⁾ of U_b
²⁾ at I_a max

³⁾ without load
⁴⁾ of s_r

⁵⁾ according to EN 60529
⁶⁾ Ex II 3D T 80° C

⁷⁾ Width x height x depth
⁸⁾ (pulsed)

Ordering information	
Type	Part Number
IQ12-03BNS-KU0	1 016 299
IQ12-03BPS-KU0	1 016 275
IQ12-03BNS-KTO	1 016 461
IQ12-03BPS-KTO	1 016 276
IQ12-06NPS-KU0	1 016 463
IQ12-06NPS-KTO	1 016 467
IQ12-06NPS-KQX	1 029 594