

LP2960 Adjustable Micropower 0.5A Low-Dropout Regulators

General Description

The LP2960 is a micropower voltage regulator with very low dropout voltage (12 mV typical at 1 mA load and 470 mV typical at 500 mA load) and very low quiescent current (450 μ A typical at 1 mA load).

The LP2960 is ideally suited for battery-powered systems: the quiescent current increases only slightly at dropout, which prolongs battery life.

The LP2960 retains all the desirable characteristics of the LP2953, and offers increased output current.

The error flag goes low any time the output drops more than 5% out of regulation.

Reverse battery protection is provided.

The LP2960 requires only 10 μ F of output capacitance for stability (5V version).

The internal voltage reference is made available for external use, providing a low-T.C. reference with very good regulation characteristics.

The parts are available in 16-pin plastic DIP and 16-pin surface mount packages.

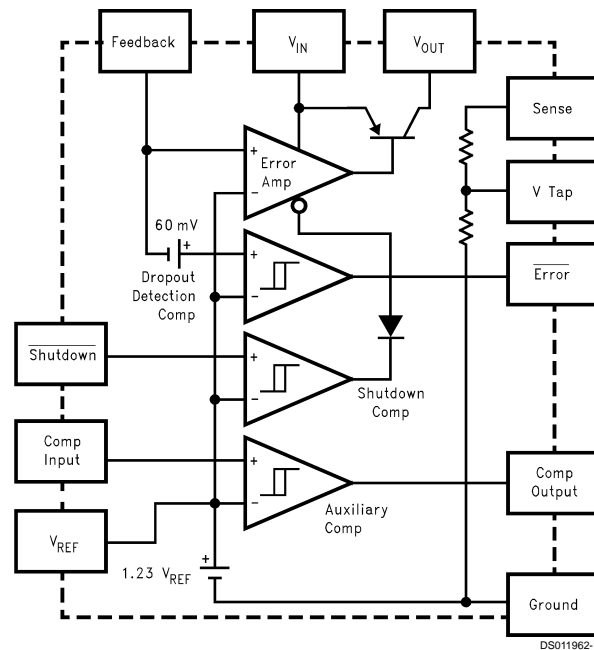
Features

- Output voltage adjusts from 1.23V–29V
- Guaranteed 500 mA output current
- 5V and 3.3V versions available
- 16-pin DIP and 16-pin SO packages
- Low dropout voltage
- Low quiescent current
- Tight line and load regulation
- Low temperature coefficient
- Current limiting and thermal protection
- Logic-level shutdown
- Can be wired for snap-ON and snap-OFF
- Reverse battery protection

Applications

- High-efficiency linear regulator
- Regulator with under-voltage shutdown
- Low dropout battery-powered regulator
- Cellular telephones

Block Diagram



Absolute Maximum Ratings (Note 1)

If Military/Aerospace specified devices are required, please contact the National Semiconductor Sales Office/Distributors for availability and specifications.

Storage Temperature Range	-65°C to +150°C
Operating Junction Temperature Range	
LP2960AI/LP2960I	-40°C to +125°C

Lead Temperature (Soldering, 5 sec.)	260°C
Power Dissipation (Note 2)	Internally Limited
Input Supply Voltage	-20V to +30V
Feedback Input Voltage (Note 3)	-0.3V to +5V
Comparator Input Voltage (Note 4)	-0.3V to +30V
Comparator Output Voltage (Note 4)	-0.3V to +30V
ESD Rating (Note 15)	1.5 kV

Electrical Characteristics

Limits in standard typeface are for $T_J = 25^\circ\text{C}$, and limits in **boldface type** apply over the full operating temperature range. Unless otherwise specified: $C_{IN} = 4.7 \mu\text{F}$, $V_{IN} = V_{O(NOM)} + 1\text{V}$, $I_L = 1 \text{mA}$, $C_{OUT} = 10 \mu\text{F}$ for 5V parts or $C_{OUT} = 22 \mu\text{F}$ for 3.3V parts, Feedback pin is tied to V_{TAP} pin, Output pin is tied to Sense pin, $V_{SD} = 2\text{V}$.

Symbol	Parameter	Conditions	Typ	LP2960AI (Note 14)		LP2960I (Note 14)		Units
				Min	Max	Min	Max	
V_O	Output Voltage (5V Versions)	$1 \text{mA} \leq I_L \leq 500 \text{mA}$	5.0	4.962 4.930	5.038 5.070	4.925 4.880	5.075 5.120	V
	Output Voltage (3.3 Versions)	$1 \text{mA} \leq I_L \leq 500 \text{mA}$	3.3	3.275 3.254	3.325 3.346	3.250 3.221	3.350 3.379	
$\frac{\Delta V_O}{\Delta T}$	Output Voltage Temperature Coefficient	(Note 5)	20		130		160	ppm/°C
$\frac{\Delta V_O}{V_O}$	Output Voltage Line Regulation	$V_{IN} = [V_{O(NOM)} + 1\text{V}] \text{ to } 30\text{V}$	0.06		0.2 0.5		0.4 0.8	%
$\frac{\Delta V_O}{V_O}$	Output Voltage Load Regulation	(Note 6)	0.08		0.16 0.30		0.20 0.40	%
$V_{IN} - V_O$	Dropout Voltage (Note 7)	$I_L = 1 \text{mA}$	12		30 50		30 50	mV
		$I_L = 100 \text{mA}$	180		250 350		250 350	
		$I_L = 200 \text{mA}$	260		350 450		350 450	
		$I_L = 500 \text{mA}$	470		600 800		600 800	
I_{GND}	Ground Pin Current (Note 8)	$I_L = 1 \text{mA}$	450		600 750		600 750	μA
		$I_L = 100 \text{mA}$	2.6		4.0 5.0		4.0 5.0	mA
		$I_L = 200 \text{mA}$	2.5		8 10		8 10	
		$I_L = 500 \text{mA}$	21		35 40		35 40	
I_{GND}	Ground Pin Current at Dropout (Note 8)	$V_{IN} = V_{O(NOM)} - 0.5\text{V}$ $I_L = 100 \mu\text{A}$	1.8		3 5		3 5	mA
	Ground Pin Current at Shutdown (Note 8)	$V_{SD} \leq 1.1\text{V}$	300		400		400	μA
I_{LIMIT}	Current Limit	$R_L = 0.5\Omega$	1000		1500 1600		1500 1600	mA
$\frac{\Delta V_O}{P_D}$	Thermal Regulation	(Note 10)	0.05		0.2		0.2	%/W
e_n	Output Noise Voltage @ $I_L = 100 \text{mA}$ (10 Hz–100kHz)	$C_{OUT} = 10 \mu\text{F}$	300					$\mu\text{V RMS}$
		$C_{OUT} = 47 \mu\text{F}$	210					
		$C_{OUT} = 47 \mu\text{F}$ (Note 11)	130					

Electrical Characteristics Limits in standard typeface are for $T_J = 25^\circ\text{C}$, and limits in **boldface type** apply over the full operating temperature range. Unless otherwise specified: $C_{IN} = 4.7\ \mu\text{F}$, $V_{IN} = V_O(\text{NOM}) + 1\text{V}$, $I_L = 1\ \text{mA}$, $C_{OUT} = 10\ \mu\text{F}$ for 5V parts or $C_{OUT} = 22\ \mu\text{F}$ for 3.3V parts, Feedback pin is tied to V_{TAP} pin, Output pin is tied to Sense pin, $V_{SD} = 2\text{V}$. (Continued)

Symbol	Parameter	Conditions	Typ	LP2960AI (Note 14)		LP2960I (Note 14)		Units
				Min	Max	Min	Max	
V_{REF}	Reference Voltage		1.235	1.220 1.210	1.250 1.265	1.210 1.195	1.260 1.275	V
$\frac{\Delta V_{REF}}{V_{REF}}$	Reference Voltage Line Regulation	(Note 13)	0.05		0.1 0.30		0.2 0.4	%
$\frac{\Delta V_{REF}}{V_{REF}}$	Reference Voltage Load Regulation	$I_{REF} = 0\text{--}200\ \mu\text{A}$	0.45		0.6 0.9		1.2 1.5	%
$\frac{\Delta V_{REF}}{\Delta T}$	Reference Voltage Temperature Coefficient	(Note 5)	20					ppm/ $^\circ\text{C}$
$I_B(\text{FB})$	Feedback Pin Bias Current		-20		-50 -70		-50 -70	nA
DROPOUT DETECTION COMPARATOR								
I_{OH}	Output HIGH Leakage	$V_{OH} = 30\text{V}$	0.01		1 2		1 2	μA
V_{OL}	Output LOW Voltage	$V_{IN} = V_O(\text{NOM}) - 1\text{V}$ $I_O(\text{COMP}) = 400\ \mu\text{A}$	125		250 400		250 400	mV
$V_{THR}(\text{max})$	Upper Threshold Voltage	(Note 9)	-60	-80 -100	-35 -25	-80 -100	-35 -25	mV
$V_{THR}(\text{min})$	Lower Threshold Voltage	(Note 9)	-85	-130 -200	-70 -35	-130 -200	-70 -35	mV
HYST	Hysteresis	(Note 9)	25					mV
SHUTDOWN INPUT								
V_{OS}	Input Offset Voltage	(Referred to V_{REF})	± 5	-18 -24	18 24	-18 -24	18 24	mV
HYST	Hysteresis	(Referred to V_{REF})	10					mV
I_B	Input Bias Current	$V_{SD} = 0\text{--}5\text{V}$	-20	-60 -100	60 100	-60 -100	60 100	nA
$I_{OUT}(\text{S/D})$	Regulator Output Current in Shutdown	(Note 12)	3		12 20		12 20	μA
AUXILIARY COMPARATOR								
V_{OS}	Input Offset Voltage	(Referred to V_{REF})	± 5	-15 -20	15 20	-15 -20	15 20	mV
HYST	Hysteresis	(Referred to V_{REF})	10					mV
I_B	Input Bias Current	$V_{COMP} = 0\text{--}5\text{V}$	-20	-60 -100	60 100	-60 -100	60 100	nA
I_{OH}	Output HIGH Leakage	$V_{OH} = 30\text{V}$ $V_{COMP} = 1.3\text{V}$	0.01		1 2		1 2	μA
V_{OL}	Output LOW Voltage	$V_{COMP} = 1.1\text{V}$ $I_O = 400\ \mu\text{A}$	125		250 400		250 400	mV

Note 1: Absolute maximum ratings indicate limits beyond which damage to the component may occur. Electrical specifications do not apply when operating the device outside of its rated operating conditions.

Note 2: The maximum allowable power dissipation is a function of the maximum junction temperature, $T_J(\text{max})$, the junction-to-ambient thermal resistance, θ_{J-A} , and the ambient temperature, T_A . The maximum allowable power dissipation at any ambient temperature is calculated using:

$$P(\text{max}) = \frac{T_J(\text{max}) - T_A}{\theta_{J-A}}$$

Exceeding the maximum allowable power dissipation will cause excessive die temperature, and the regulator will go into thermal shutdown. See APPLICATION HINTS for additional information on heatsinking and thermal resistance.

Note 3: When used in dual-supply systems where the regulator load is returned to a negative supply, the output voltage must be diode-clamped to ground.

Electrical Characteristics Limits in standard typeface are for $T_J = 25^\circ\text{C}$, and limits in **boldface type** apply over the full operating temperature range. Unless otherwise specified: $C_{IN} = 4.7\ \mu\text{F}$, $V_{IN} = V_O(\text{NOM}) + 1\text{V}$, $I_L = 1\ \text{mA}$, $C_{OUT} = 10\ \mu\text{F}$ for 5V parts or $C_{OUT} = 22\ \mu\text{F}$ for 3.3V parts, Feedback pin is tied to V_{TAP} pin, Output pin is tied to Sense pin, $V_{SD} = 2\text{V}$. (Continued)

Note 4: May exceed the input supply voltage.

Note 5: Output or reference voltage temperature coefficient is defined as the worst case voltage change divided by the total temperature range.

Note 6: Output voltage load regulation is measured at constant junction temperature using low duty cycle pulse testing. Two separate tests are performed, one for the load current range of 100 μA to 1 mA and one for the 1 mA to 500 mA range. Changes in output voltage due to heating effects are covered by the thermal regulation specification.

Note 7: Dropout voltage is defined as the input to output differential at which the output voltage drops 100 mV below the value measured with a 1V differential. At very low values of programmed output voltage, the input voltage minimum of 2V (**2.3V over temperature**) must be observed.

Note 8: Ground pin current is the regulator quiescent current. The total current drawn from the source is the sum of the ground pin current, output load current, and current through the external resistive divider (if used).

Note 9: Dropout detection comparator threshold voltages are expressed in terms of a voltage differential measured at the Feedback terminal below the *nominal* reference voltage, which is the reference voltage measured with $V_{IN} = V_O(\text{NOM}) + 1\text{V}$. To express these thresholds in terms of output voltage change, multiply by the error amplifier gain which is $V_O/V_{REF} = (R1 + R2)/R2$ (see *Basic Application Circuit*).

Note 10: Thermal regulation is the change in output voltage at a time T after a change in power dissipation, excluding load or line regulation effects. Specifications are for a 400 mA load pulse at $V_{IN} = V_O(\text{NOM}) + 15\text{V}$ (6W pulse) for $T = 10\ \text{ms}$.

Note 11: Connect a 0.1 μF capacitor from the output to the feedback pin.

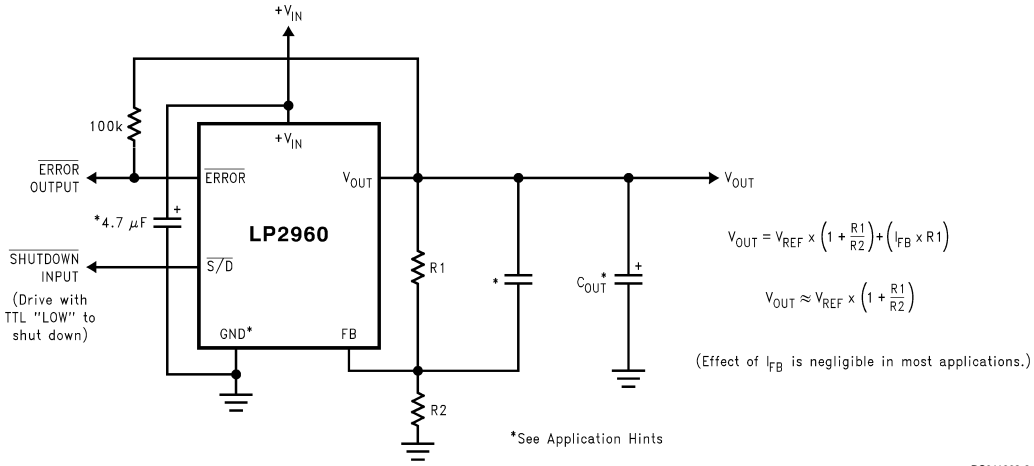
Note 12: $V_{shutdown} \leq 1.1\text{V}$, $V_{IN} < 30\text{V}$, $V_{OUT} = 0\text{V}$.

Note 13: Two separate tests are performed for reference voltage line regulation, one covering $2.5\text{V} \leq V_{IN} \leq V_O(\text{NOM}) + 1\text{V}$ and the other test for $V_O(\text{NOM}) + 1\text{V} \leq V_{IN} \leq 30\text{V}$.

Note 14: All room temperature limits are 100% production tested. All limits at **temperature extremes** are guaranteed via correlation using standard Statistical Quality Control (SQC) methods. All limits are used to calculate Average Outgoing Quality Level.

Note 15: Human Body Model, 200 pF discharged through 1.5 k Ω .

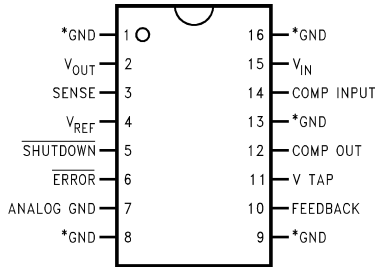
Basic Application Circuit



DS011962-2

Connection Diagrams and Ordering Information

16-Pin Surface Mount Package

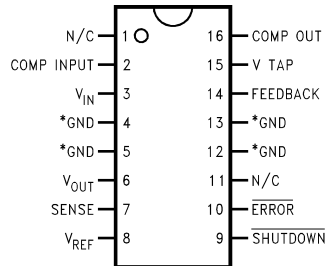


DS011962-3

Top View

Order Number LP2960IM-5.0, LP2960AIM-5.0,
LP2960IM-3.3 or LP2960AIM-3.3
See NS Package Number M16A

16-Pin DIP Package



DS011962-4

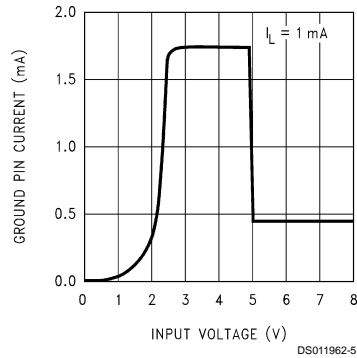
Top View

Order Number LP2960IN-5.0, LP2960AIN-5.0,
LP2960IN-3.3 or LP2960AIN-3.3
See NS Package Number N16G

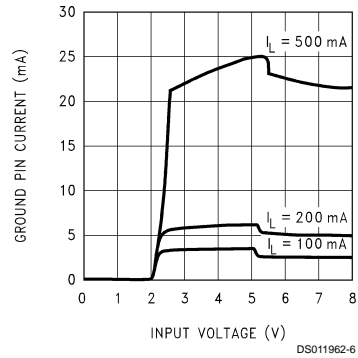
*Internally Connected to Power Ground

Typical Performance Characteristics Unless otherwise specified: $C_{IN} = 4.7 \mu F$, $V_{IN} = 6V$, $I_L = 1 mA$, $C_{OUT} = 10 \mu F$, Feedback pin is tied to V_{TAP} pin, Output pin is tied to Sense pin, $V_{S/D} = 2V$, $V_{OUT} = 5V$.

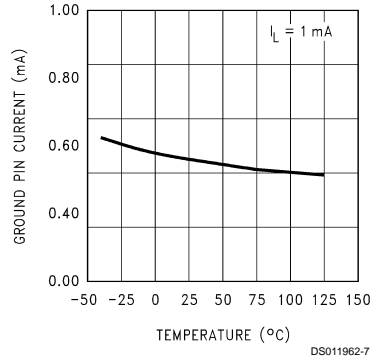
Ground Pin Current



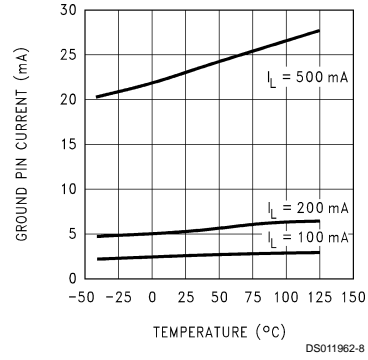
Ground Pin Current



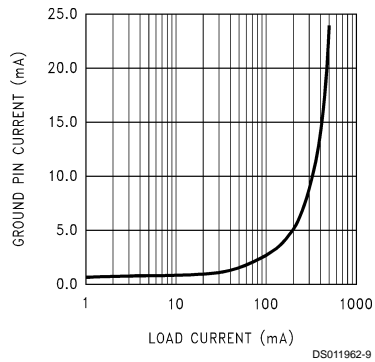
Ground Pin Current



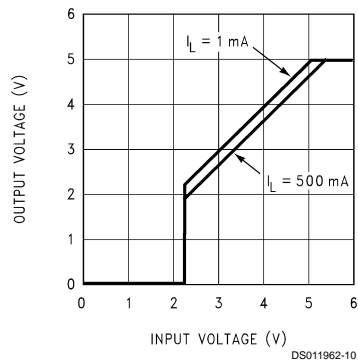
Ground Pin Current



Ground Pin Current

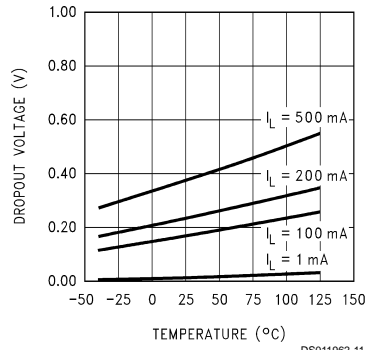


Dropout Characteristics



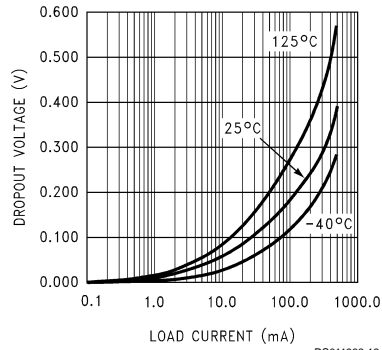
Typical Performance Characteristics Unless otherwise specified: $C_{IN} = 4.7 \mu F$, $V_{IN} = 6V$, $I_L = 1 \text{ mA}$, $C_{OUT} = 10 \mu F$, Feedback pin is tied to V_{TAP} pin, Output pin is tied to Sense pin, $V_{SD} = 2V$, $V_{OUT} = 5V$. (Continued)

Dropout Voltage vs Temperature



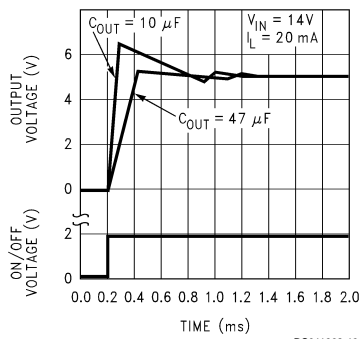
DS011962-11

Dropout Voltage vs Load Current



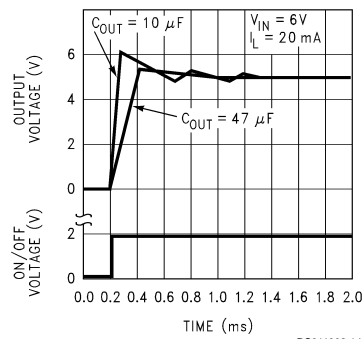
DS011962-12

Enable Transient



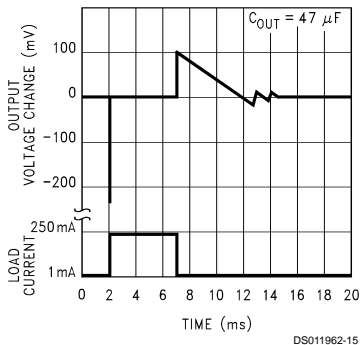
DS011962-13

Enable Transient



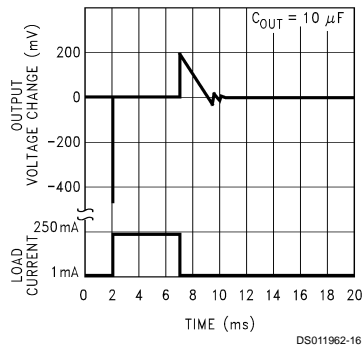
DS011962-14

Load Transient



DS011962-15

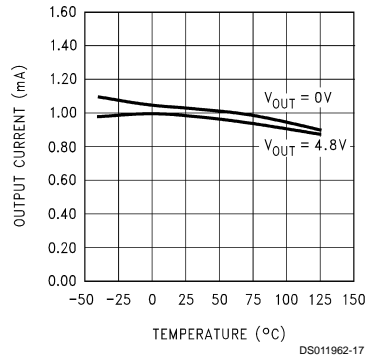
Load Transient



DS011962-16

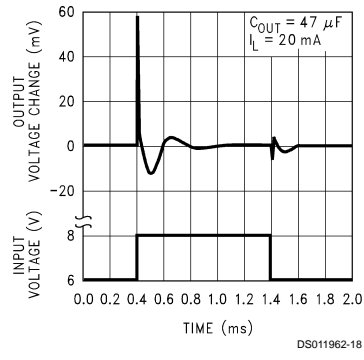
Typical Performance Characteristics Unless otherwise specified: $C_{IN} = 4.7 \mu F$, $V_{IN} = 6V$, $I_L = 1 \text{ mA}$, $C_{OUT} = 10 \mu F$, Feedback pin is tied to V_{TAP} pin, Output pin is tied to Sense pin, $V_{SD} = 2V$, $V_{OUT} = 5V$. (Continued)

Current Limit vs Temperature



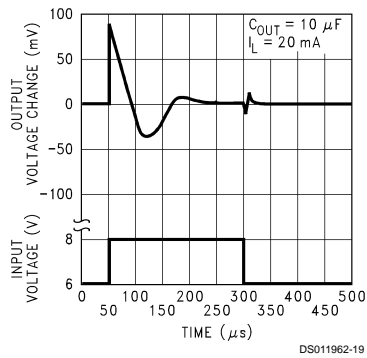
DS011962-17

Line Transient Response



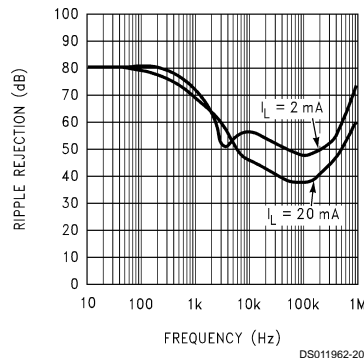
DS011962-18

Line Transient Response



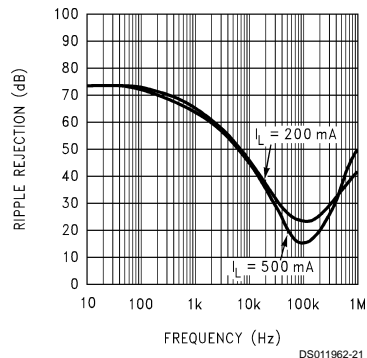
DS011962-19

Ripple Rejection



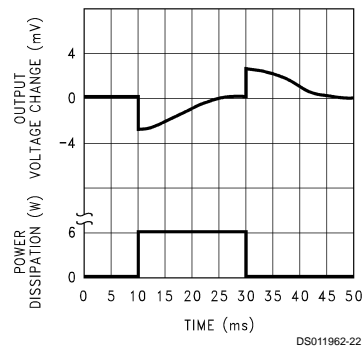
DS011962-20

Ripple Rejection



DS011962-21

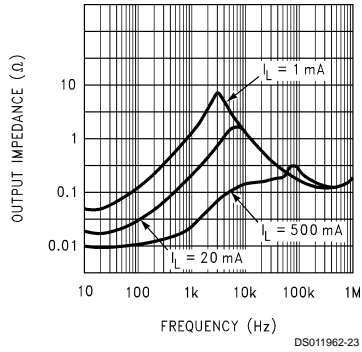
Thermal Regulation



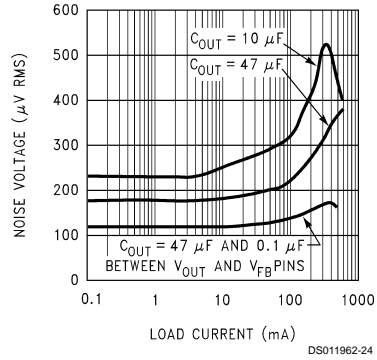
DS011962-22

Typical Performance Characteristics Unless otherwise specified: $C_{IN} = 4.7 \mu F$, $V_{IN} = 6V$, $I_L = 1 \text{ mA}$, $C_{OUT} = 10 \mu F$, Feedback pin is tied to V_{TAP} pin, Output pin is tied to Sense pin, $V_{SD} = 2V$, $V_{OUT} = 5V$. (Continued)

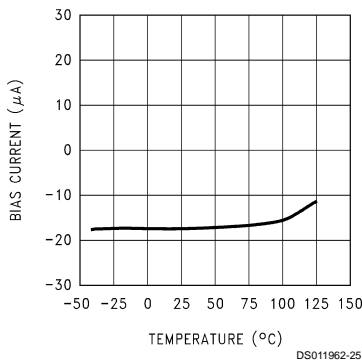
Output Impedance



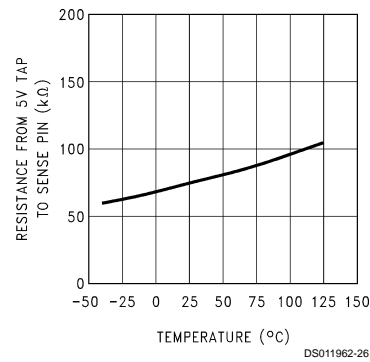
Output Noise Voltage



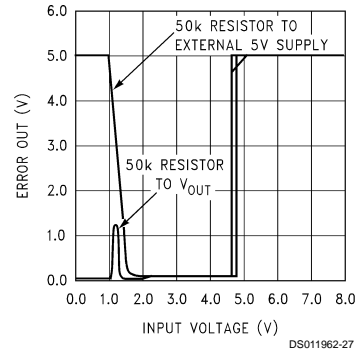
Feedback Bias Current



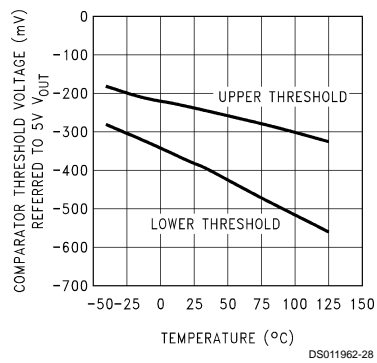
Divider Resistance



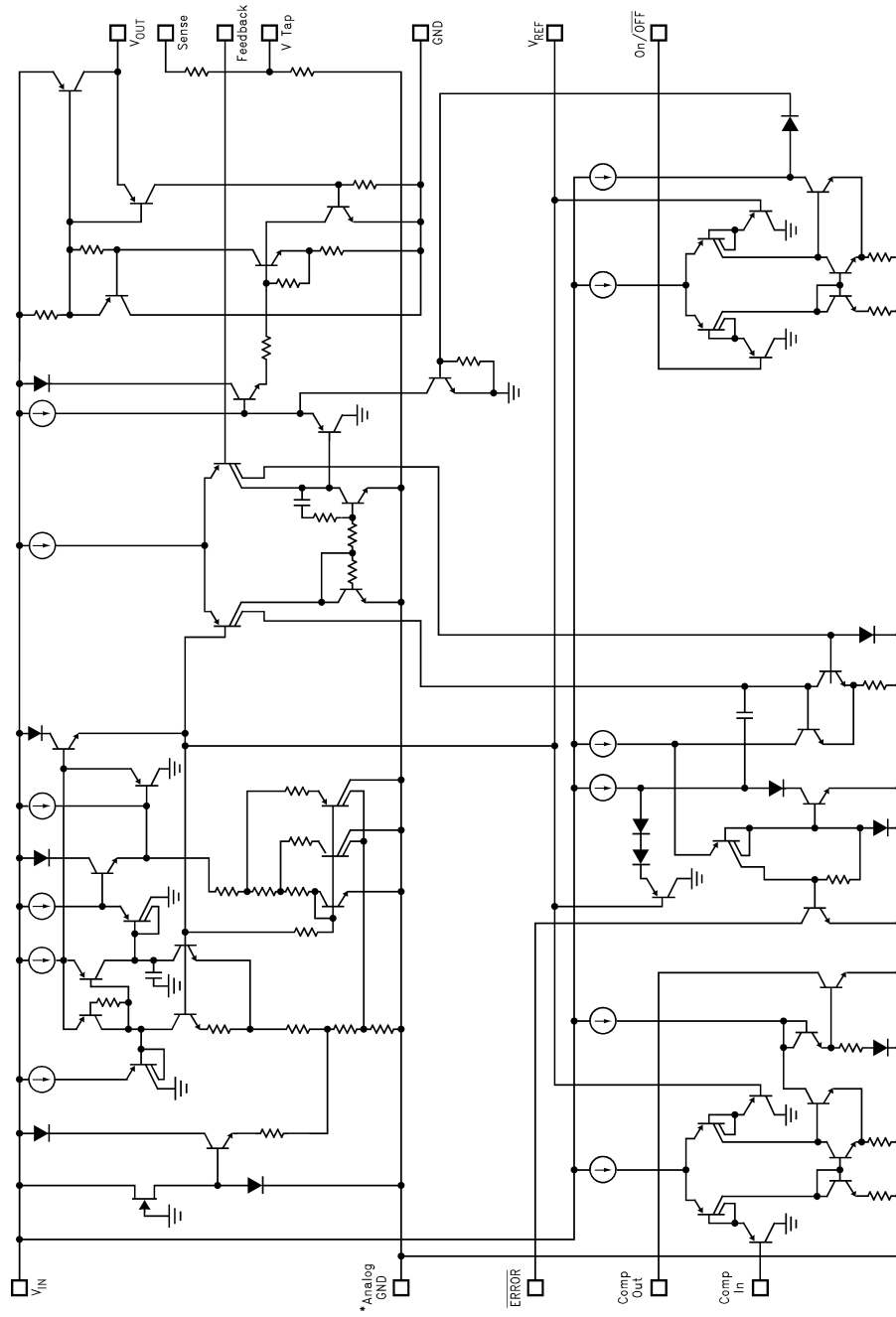
Error Output Voltage vs Input Voltage



Dropout Detection Comparator Threshold Voltage



Schematic Diagram



*In the 16-pin DIP devices, the "Analog GND" point is internally connected to the "GND" point.
 In the 16-pin surface-mount devices, "Analog GND" is brought out on a separate pin.

DS011662-38

Application Hints

EXTERNAL CAPACITORS

Bypass capacitors on the input and output of the LP2960 are required: without these capacitors, *the part will oscillate*.

A capacitor (whose value is *at least* 4.7 μF) must be connected from the V_{IN} pin to ground. If the input capacitor is located more than one inch away from the LP2960, the capacitor may have to be increased to 22 μF to assure stability. A capacitor is also required between V_{OUT} and Ground, and the minimum amount of capacitance required here depends on output voltage.

If the output voltage of the LP2960 is set to 5V, a minimum of 10 μF is needed in output capacitance. At 3.3V output, at least 22 μF is required to assure stability.

ESR LIMIT: The ESR of the capacitor used on the LP2960 must be less than 0.7 Ω *throughout the entire operating temperature range* to assure stability.

The ESR of an aluminum electrolytic capacitor is typically only specified at 25°C, and does not reflect the maximum ESR that can be expected to occur over the entire temperature range of the capacitor.

Aluminum electrolytics show a marked increase in ESR at low temperatures (ESR can increase by a factor of 30 or more when going from 25°C to -30°C) which could lead to oscillation problems in applications with very low ambient temperatures. Solid tantalum capacitors are recommended for use in such cases.

Regulator instability can be caused by stray (board layout) capacitance appearing at the Feedback terminal. Oscillations from this effect are most likely to occur when very high value resistors are used to set the output voltage.

Adding a 100 pF capacitor between the Output and Feedback pins and increasing the output capacitor to at least 22 μF will stop the oscillations.

MINIMUM LOAD

The internal resistive divider in the LP2960 provides sufficient output loading for proper regulation. If external resistors are used to set the LP2960 output voltage, a minimum current of 5 μA through the external resistive divider is recommended.

It should be noted that a minimum load current is specified in several of the test conditions listed under *Electrical Characteristics*, and this value of load current must be used to get correlation on these test limits.

PROGRAMMING THE OUTPUT VOLTAGE

The LP2960 regulator may be pin-strapped for operation at the nominal output voltage using its internal resistive divider by tying the Output and Sense pins together and also tying the Feedback and V_{TAP} pins together.

Alternatively, it may be programmed for any voltage between the 1.23V reference and the 30V maximum rating using an external pair of resistors (see Basic Application Circuit).

The complete equation for the output voltage is:

$$V_{\text{OUT}} = V_{\text{REF}} \times (1 + R1/R2) + (I_{\text{FB}} \times R1)$$

The term V_{REF} is the 1.23V reference and I_{FB} is the Feedback pin bias current (-20 nA typical). The minimum recommended load current of 5 μA sets an upper limit of 240 k Ω on the value of R2 in cases where the regulator must work with no load (see *Minimum Load*).

For best output accuracy, choosing R2 = 100 k Ω will reduce the error resulting from I_{FB} to 0.17% while increasing the re-

sistive divider current to 12 μA . Since the typical quiescent current of the LP2960 is 450 μA , this added current through R2 is negligible.

DROPOUT VOLTAGE

The dropout voltage of the regulator is defined as the minimum input-to-output voltage differential required for the output voltage to stay within 100 mV of the output voltage measured with a 1V differential. The dropout voltage is independent of the programmed output voltage.

OUTPUT ISOLATION

If the LP2960 output is connected to an active voltage source (such as a battery) the regulator input should not be shorted to ground, as this will cause a large current to flow from the battery into the LP2960 output lead.

If the LP2960 input is *left floating* with the output connected to a battery, a small current (a few mA) will flow into the output lead.

The "reverse" current flowing from the battery into the LP2960 output can be prevented by using a blocking diode between the output and the battery.

REDUCING OUTPUT NOISE

In reference applications it may be desirable to reduce the AC noise present on the output. One method is to reduce regulator bandwidth by increasing output capacitance. This is relatively inefficient, since large increases in capacitance are required to get significant improvement.

Noise can be reduced more effectively by a bypass capacitor placed across R1 (refer to *Basic Application Circuit*).

A 0.1 μF capacitor connected across R1 will reduce the high frequency gain of the circuit to unity, lowering the RMS output noise voltage from 210 μV to 130 μV (typical) using a 10 Hz-100 kHz bandwidth test measurement.

Also, output noise is no longer proportional to the output voltage, so improvements are more pronounced at higher output voltages.

IMPORTANT: Since the 0.1 μF capacitor reduces the AC gain of the LP2960 to unity, the output capacitance must be increased to at least 33 μF to assure regulator stability.

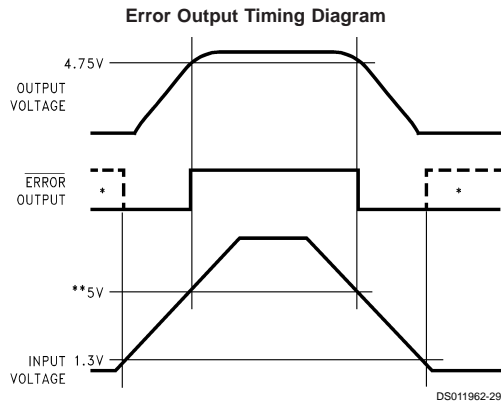
DROPOUT DETECTION COMPARATOR

The dropout detection comparator produces a logic "LOW" on the Error output whenever the LP2960 output drops out of regulation by more than about 5%. This figure results from the comparator's built-in offset of 60 mV divided by the 1.23V reference (refer to block diagram).

The "5% below nominal" trip level remains constant regardless of the programmed output voltage. An out-of-regulation condition can result from low input voltage, current limiting, or thermal limiting.

The figure below gives a timing diagram showing the relationship between the output voltage, the Error output, and input voltage as the input voltage is ramped up and down to a regulator programmed for 5V output.

Application Hints (Continued)



*In shutdown mode, $\overline{\text{ERROR}}$ will go high if it has been pulled up to an external supply. To avoid this invalid response, pull-up to regulator output.
 **Exact value depends on dropout voltage. (See Application Hints)

The Error signal becomes low as V_{IN} exceeds about 1.3V. It goes high at about 5V input, where the output equals 4.75V. Since the dropout voltage is load dependent, the *input voltage* trip points will vary with load current, but the *output voltage* trip point does not.

The comparator has an open-collector output which requires an external pull-up resistor. This resistor may be connected to the LP2960 output or another supply voltage.

Best operation is obtained by connecting the pull-up to the LP2960 output. If the pull-up resistor is connected to an external 5V supply, the error flag will incorrectly signal "HIGH" whenever $V_{\text{IN}} < 1.3\text{V}$ (see *Error Output Timing Diagram*).

In selecting a value for the pull-up resistor, note that while the output can sink 400 μA , this current adds to battery drain. Suggested values range from 100 k Ω –1 M Ω . The resistor is not required if the output is unused.

If a large output capacitance is used, a false logic "HIGH" can be generated when $V_{\text{IN}} \approx 1.3\text{V}$. In this case, the error output becomes a high impedance, causing the voltage at the error output to rise to its pull-up value. If the pull-up resistor is connected to V_{OUT} , the error output can rise to 1.2V (which is a logic "HIGH" signal *incorrectly* signifying the output is in regulation).

The user may wish to divide down the error flag voltage using equal-value resistors (10 k Ω suggested) to ensure a low-level logic signal during any fault condition, while still allowing a valid high logic level during normal operation.

AUXILIARY COMPARATOR

The LP2960 contains an auxiliary comparator whose inverting input is connected to the 1.23V reference. The auxiliary comparator has an open-collector output whose electrical characteristics are similar to the dropout detection comparator. The non-inverting input and output are brought out for external connections.

SHUTDOWN INPUT

A logic-level signal will shut off the regulator output when a "LOW" (< 1.2V) is applied to the Shutdown input.

To prevent possible mis-operation, the Shutdown input must be actively terminated. If the input is driven from

open-collector logic, a pull-up resistor (20 k Ω –100 k Ω recommended) should be connected from the Shutdown input to the regulator input.

If the Shutdown input is driven from a source which actively pulls low and high (like an op-amp), the pull-up resistor is not required, but may be used.

If the Shutdown input is to be unused, the cost of the pull-up resistor can be saved by tying the Shutdown input directly to the regulator input.

IMPORTANT: Since the Absolute Maximum Ratings state that the Shutdown input can not go more than 0.3V below ground, the reverse-battery protection feature which protects the regulator input is sacrificed if the Shutdown input is tied directly to the regulator input.

If reverse-battery protection is required in an application, *the pull-up resistor between the Shutdown input and the regulator input must be used.*

GROUND CONNECTIONS

The pins designated GND (see *Connection Diagrams*) must be connected to the high-current ground point in the circuit.

The GND pins are electrically connected (through the lead frame) to the die substrate, making them ideal for conducting ground current or heat (see *Heatsinking*).

The parts in the surface-mount (M) package also have an Analog Ground pin, which is the ground point on the die for the regulator reference circuitry.

Along with the Sense pin, the availability of the Analog Ground pin allows the designer the ability to use "remote" sensing and eliminate output voltage errors due to IR drops occurring along PC board traces.

IMPORTANT: *The Analog Ground pin must be connected to circuit ground at some point for the regulator to operate.*

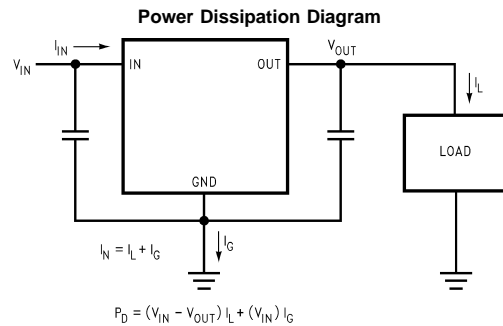
If remote sensing is not needed, the Analog Ground pin can simply be pin-strapped to the adjacent GND pin.

HEATSINKING

A heatsink may be required with the LP2960 depending on the maximum power dissipation and maximum ambient temperature of the application. Under all possible operating conditions, the junction temperature must be within the range specified under Absolute Maximum Ratings.

To determine if a heatsink is required, the power dissipated by the regulator, P_{D} , must be calculated.

The figure below shows the voltages and currents which are present in the circuit, as well as the formula for calculating the power dissipated in the regulator:



Application Hints (Continued)

The next parameter which must be calculated is the maximum allowable temperature rise, T_R (max). This is calculated by using the formula:

$$T_R \text{ (max)} = T_J \text{ (max)} - T_A \text{ (max)}$$

where:

T_J (max) is the maximum allowable junction temperature, which is 125°C for commercial grade parts.

T_A (max) is the maximum ambient temperature which will be encountered in the application.

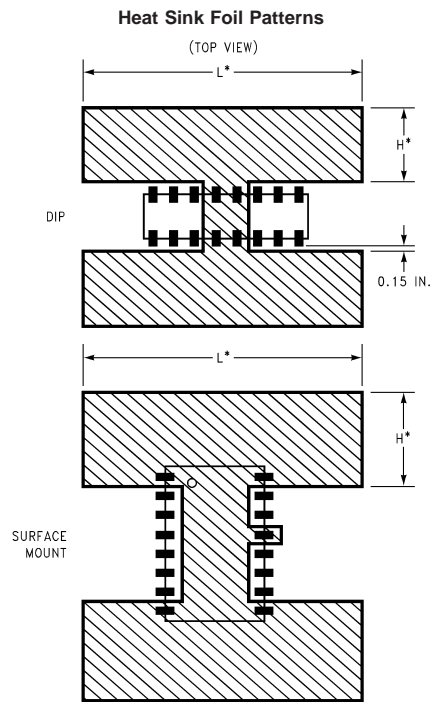
Using the calculated values for T_R (max) and P_D , the maximum allowable value for the junction-to-ambient thermal resistance, $\theta_{(J-A)}$, can now be found:

$$\theta_{(J-A)} = T_R \text{ (max)} / P_D$$

The heatsink for the LP2960 is made using the PC board copper, with the heat generated on the die being conducted through the lead frame and out to the pins which are soldered to the PC board.

The GND pins are the only ones capable of conducting any significant amount of heat, as they are internally attached to the lead frame on which the die is mounted.

The figure below shows recommended copper foil patterns to be used for heatsinking the DIP and Surface Mount packages:



* FOR BEST RESULTS, USE $L = 2H$

DS011962-31

The table below shows measured values of $\theta_{(J-A)}$ for a PC board with 1 ounce copper weight:

Package	L (in.)	H (in.)	θ_{J-A} (°C/W)
DIP	1	0.5	50
	2	0.2	52
Surface Mount	1	0.5	72
	2	0.2	74

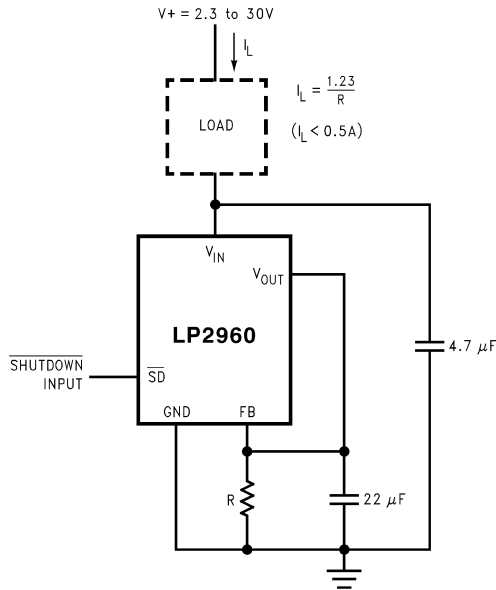
As the heat must transfer from the copper to the surrounding air, best results (lowest θ_{J-A}) will be obtained by using a *surface* copper layer with the solder resist opened up over the heatsink area.

If an *internal* copper layer of a multi-layer board is used for heatsinking, the board material acts as an insulator, inhibiting heat transfer and increasing θ_{J-A} .

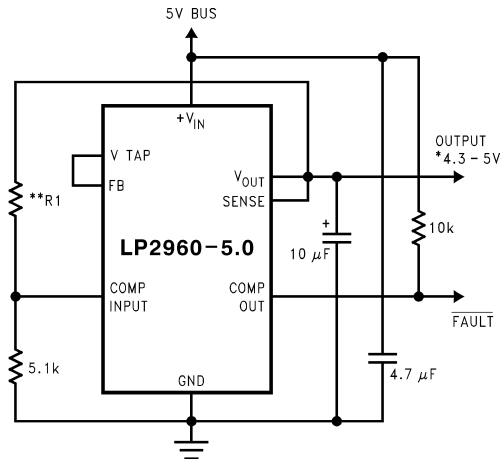
As with any heatsink, increasing the airflow across the board will significantly improve the heat transfer.

Typical Applications

Low T.C. Current Sink

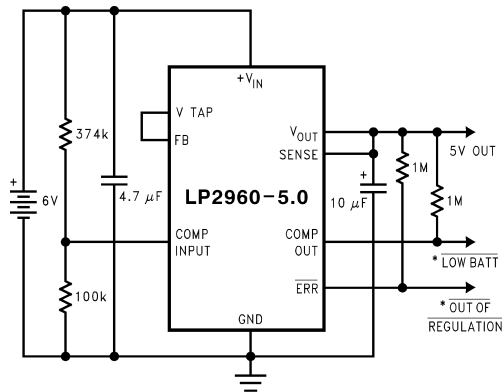


5V Bus Current Limiter with Load Fault Indicator



*Output voltage equals $+V_{IN}$ minus dropout voltage, which varies with output current. Current limits at a maximum of 1000 mA (typical).
**Select R1 so that the comparator input voltage is 1.23V at the output voltage which corresponds to the desired fault current value.

5V Regulator with Error Flags for Low BATTERY and OUT OF REGULATION

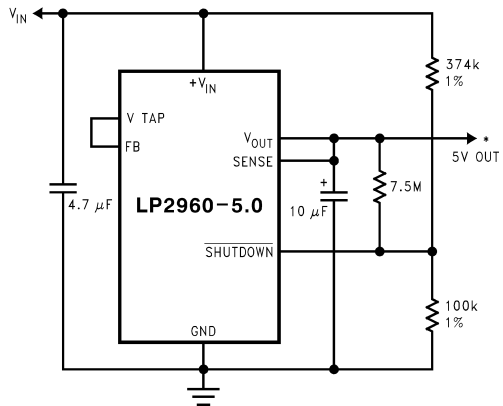


*Connect to Logic or μP control inputs.

LOW BATT flag warns the user that the battery has discharged down to about 5.8V, giving the user time to recharge the battery or power-down some hardware with high power requirements. The output is still in regulation at this time.

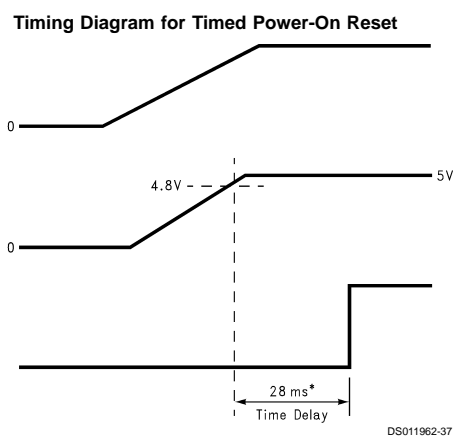
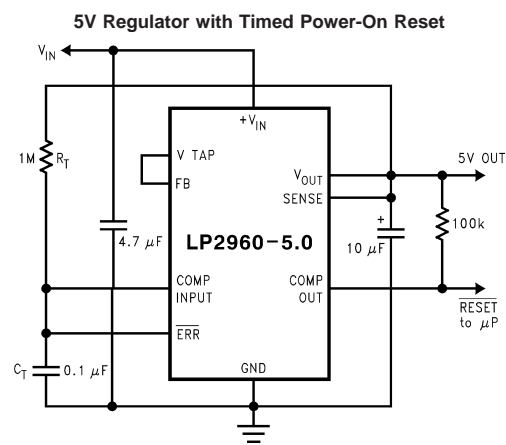
OUT OF REGULATION flag indicates when the battery is almost completely discharged, and can be used to initiate a power-down sequence.

5V Regulator with Snap-ON/Snap-OFF Feature and Hysteresis



*Turns ON at $V_{IN} = 5.87V$
Turns OFF at $V_{IN} = 5.64V$
(for component values shown)

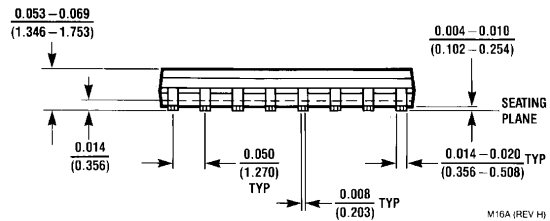
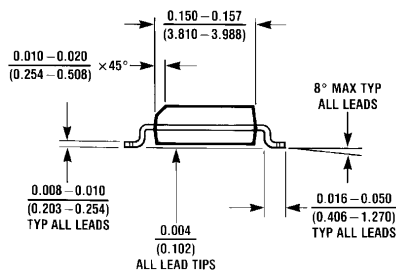
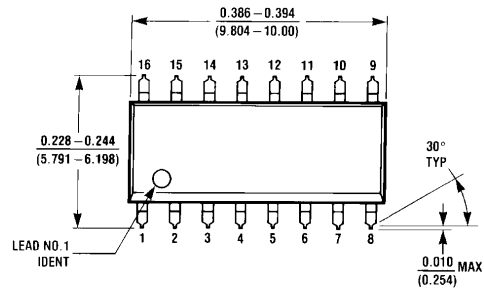
Typical Applications (Continued)



DS011962-36 * $R_T = 1 \text{ Meg}$, $C_T = 0.1 \mu\text{F}$

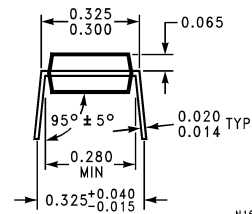
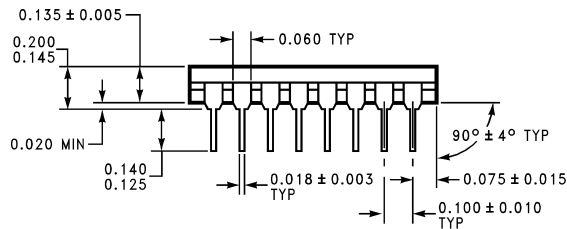
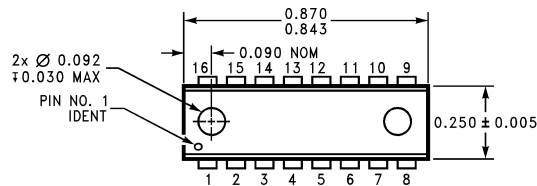
DS011962-37

Physical Dimensions inches (millimeters) unless otherwise noted



M16A (REV H)

**Order Number LP2960IM-5.0, LP2960AIM-5.0,
LP2960IM-3.3 or LP2960AIM-3.3
NS Package Number M16A**



N16G (REV B)


**Order Number LP2960IN-5.0, LP2960AIN-5.0,
LP2960IN-3.3 or LP2960AIN-3.3
NS Package Number N16G**

Notes

LIFE SUPPORT POLICY

NATIONAL'S PRODUCTS ARE NOT AUTHORIZED FOR USE AS CRITICAL COMPONENTS IN LIFE SUPPORT DEVICES OR SYSTEMS WITHOUT THE EXPRESS WRITTEN APPROVAL OF THE PRESIDENT AND GENERAL COUNSEL OF NATIONAL SEMICONDUCTOR CORPORATION. As used herein:

1. Life support devices or systems are devices or systems which, (a) are intended for surgical implant into the body, or (b) support or sustain life, and whose failure to perform when properly used in accordance with instructions for use provided in the labeling, can be reasonably expected to result in a significant injury to the user.
2. A critical component is any component of a life support device or system whose failure to perform can be reasonably expected to cause the failure of the life support device or system, or to affect its safety or effectiveness.

 **National Semiconductor Corporation**
Americas
Tel: 1-800-272-9959
Fax: 1-800-737-7018
Email: support@nsc.com

www.national.com

National Semiconductor Europe
Fax: +49 (0) 1 80-530 85 86
Email: europe.support@nsc.com
Deutsch Tel: +49 (0) 1 80-530 85 85
English Tel: +49 (0) 1 80-532 78 32
Français Tel: +49 (0) 1 80-532 93 58
Italiano Tel: +49 (0) 1 80-534 16 80

National Semiconductor Asia Pacific Customer Response Group
Tel: 65-2544466
Fax: 65-2504466
Email: sea.support@nsc.com

National Semiconductor Japan Ltd.
Tel: 81-3-5639-7560
Fax: 81-3-5639-7507