

# **LQ121S1DG61**

## **TFT-LCD Module**

Spec. Issue Date: Jan. 27, 2006

No: LD-18121A

|                         |                                                          |                                                            |
|-------------------------|----------------------------------------------------------|------------------------------------------------------------|
| PREPARED BY :      DATE | <b>SHARP</b>                                             | SPEC No. LD-18121A                                         |
| APPROVED BY :      DATE |                                                          | FILE No.                                                   |
|                         |                                                          | ISSUE : Jan. 27. 2006                                      |
|                         |                                                          | PAGE : 18 pages                                            |
|                         | MOBILE LIQUID CRYSTAL DISPLAY GROUP<br>SHARP CORPORATION | APPLICABLE GROUP<br>MOBILE LIQUID CRYSTAL DISPLAY<br>GROUP |
| <b>SPECIFICATION</b>    |                                                          |                                                            |

DEVICE SPECIFICATION FOR  
**TFT-LCD Module**  
 MODEL No.  
**LQ121S1DG61**

**These parts have corresponded with the RoHS directive.**

CUSTOMER'S APPROVAL

DATE \_\_\_\_\_

BY \_\_\_\_\_

PRESENTED BY *T. Naka*

T. NAKA  
 Division deputy general manager of  
 Mobile LCD design center I  
 ENGINEERING DEPARTMENT IV  
 MOBILE LCD DESIGN CENTER I  
 MOBILE LIQUID CRYSTAL DISPLAY GROUP  
 SHARP CORPORATION



## 1. Application

This specification applies to color TFT-LCD module, LQ121S1DG61

These specification sheets are the proprietary product of SHARP CORPORATION("SHARP) and include materials protected under copyright of SHARP. Do not reproduce or cause any third party to reproduce them in any form or by any means, electronic or mechanical, for any purpose, in whole or in part, without the express written permission of SHARP.

The device listed in these specification sheets was designed and manufactured for use in general electronic equipment.

In case of using the device for applications such as control and safety equipment for transportation (aircraft, trains, automobiles, etc.), rescue and security equipment and various safety related equipment which require higher reliability and safety, take into consideration that appropriate measures such as fail-safe functions and redundant system design should be taken.

Do not use the device for equipment that requires an extreme level of reliability, such as aerospace applications, telecommunication equipment (trunk lines), nuclear power control equipment and medical or other equipment for life support.

SHARP assumes no responsibility for any damage resulting from the use of the device which does not comply with the instructions and the precautions specified in these specification sheets.

Contact and consult with a SHARP sales representative for any questions about this device.

## 2. Overview

This module is a color active matrix LCD module incorporating amorphous silicon TFT (Thin Film Transistor). It is composed of a color TFT-LCD panel, driver ICs, control circuit, power supply circuit and a backlight unit. Graphics and texts can be displayed on a 800 × 3 × 600 dots panel with 262,144 colors by supplying 18 bit data signal (6bit/color), four timing signals,+3.3V/ +5V DC supply voltage for TFT-LCD panel driving.

This module is super-high brightness (450cd/m<sup>2</sup>) and high contrast (600:1).

This module is the type of wide viewingangle the viewing angle is 6 o'clock direction.

Backlight-driving DC/AC inverter is not built in this module.

## 3. Outline Specifications

| Parameter                                        | Specifications                                                          | Unit  |
|--------------------------------------------------|-------------------------------------------------------------------------|-------|
| Display size                                     | 31 (12.1") Diagonal                                                     | cm    |
| Active area                                      | 246.0 (H) X 184.5 (V)                                                   | mm    |
| Pixel format                                     | 800 (H) X 600 (V)                                                       | pixel |
|                                                  | (1 pixel=R+G+B dots)                                                    |       |
| Number of colors<br>(Number of gray scale level) | 262, 144 colors<br>(64 gray scales per color)                           |       |
| Pixel pitch                                      | 0.3075 (H) X 0.3075 (V)                                                 | mm    |
| Pixel configuration                              | R,G,B vertical stripe                                                   |       |
| Display mode                                     | Normally white                                                          |       |
| Unit outline dimensions *1                       | 276.0(W)×209.0(H)×Max.11.0 (D)<br>*Outline dimensions is shown in Fig.1 | mm    |
| Mass                                             | Max. 800                                                                | g     |
| Surface treatment                                | Anti-glare and hard-coating 3H                                          |       |

[Note] excluding backlight cables.

## 4. Input Terminals

CN1

Corresponding connector: DF9-41S-1V, DF9A-41S-1V, DF9B-41S-1V, DF9M-41S-1V

(Hirose Electric Co., Ltd.)

| Pin No. | Symbol | Function                                         | Remark  |
|---------|--------|--------------------------------------------------|---------|
| 1       | GND    | -                                                |         |
| 2       | CK     | Clock signal for sampling each data signal       |         |
| 3       | GND    | -                                                |         |
| 4       | Hsync  | Horizontal synchronous signal                    | [Note1] |
| 5       | Vsync  | Vertical synchronous signal                      | [Note1] |
| 6       | GND    | -                                                |         |
| 7       | GND    | -                                                |         |
| 8       | GND    | -                                                |         |
| 9       | R0     | RED data signal(LSB)                             |         |
| 10      | R1     | RED data signal                                  |         |
| 11      | R2     | RED data signal                                  |         |
| 12      | GND    | -                                                |         |
| 13      | R3     | RED data signal                                  |         |
| 14      | R4     | RED data signal                                  |         |
| 15      | R5     | RED data signal(MSB)                             |         |
| 16      | GND    | -                                                |         |
| 17      | GND    | -                                                |         |
| 18      | GND    | -                                                |         |
| 19      | G0     | GREEN data signal(LSB)                           |         |
| 20      | G1     | GREEN data signal                                |         |
| 21      | G2     | GREEN data signal                                |         |
| 22      | GND    | -                                                |         |
| 23      | G3     | GREEN data signal                                |         |
| 24      | G4     | GREEN data signal                                |         |
| 25      | G5     | GREEN data signal(MSB)                           |         |
| 26      | GND    | -                                                |         |
| 27      | GND    | -                                                |         |
| 28      | GND    | -                                                |         |
| 29      | B0     | BLUE data signal(LSB)                            |         |
| 30      | B1     | BLUE data signal                                 |         |
| 31      | B2     | BLUE data signal                                 |         |
| 32      | GND    | -                                                |         |
| 33      | B3     | BLUE data signal                                 |         |
| 34      | B4     | BLUE data signal                                 |         |
| 35      | B5     | BLUE data signal(MSB)                            |         |
| 36      | GND    | -                                                |         |
| 37      | ENAB   | Signal to settle the horizontal display position | [Note2] |
| 38      | R/L    | Horizontal display mode select signal            | [Note3] |
| 39      | Vcc    | +3.3V / +5.0V power supply                       |         |
| 40      | Vcc    | +3.3V / +5.0V power supply                       |         |
| 41      | U/D    | Vertical display mode select signal              | [Note4] |

The shielding case is connected with GND.

[Note1] The polarity of both synchronous signals are negative.

[Note2] The horizontal display start timing is settled in accordance with a rising timing of ENAB signal. In case ENAB is fixed "Low", the horizontal start timing is determined as described in 7-2. Don't keep ENAB "High" during operation.

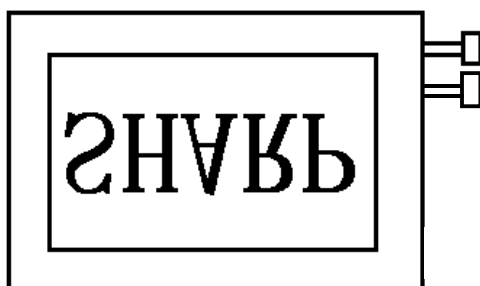
[Note 1],[Note 2]  
R/L = High, U/D = Low

R/L = Low, U/D = Low



R/L = High, U/D = High

R/L = Low, U/D = High



4-3. Backlight driving  
CN2 ,CN3

Used connector : BHR-02(8.0)VS-1N (JST)

Corresponding connector : SM02(8.0)B-BHS-1-TB(LF)(SN) or -1N-TB(LF)(SN) (JST)

| Pin no. | symbol | function                                     | Color of FL cable |
|---------|--------|----------------------------------------------|-------------------|
| 1       | VHIGH  | Power supply for lamp<br>(High voltage side) | Pink / Blue       |
| 2       | VLOW   | Power supply for lamp<br>(Low voltage side)  | White / Gray      |

5. Absolute Maximum Ratings

| Parameter                       | Symbol | Condition     | Pin name | Ratings         | Unit | Remark  |
|---------------------------------|--------|---------------|----------|-----------------|------|---------|
| +3.3V / +5.0V<br>supply voltage | Vcc    | Ta=25°C       | Vcc      | 0 to + 6.0      | V    |         |
| Input voltage                   | VI2    | Ta=25°C       |          | -0.3 to Vcc+0.3 | V    |         |
| Lamp input voltage              | VHIGH  | -             | -        | 1800            | Vrms |         |
| Storage temperature             | Tstg   | -             | -        | -30 to +80      | °C   | [Notel] |
| Operating temperature           | Topa   | Panel surface | -        | -30 to +80      | °C   |         |

[Notel] Humidity: 95%RH Max. at Ta=<40°C.

Maximum wet-bulb temperature at 39°C or less at Ta>40°C.

No condensation.

6. Recommended operation condition

| Parameter                  | Symbol | Min.  | Typ.      | Max.  | Unit | Remark  |
|----------------------------|--------|-------|-----------|-------|------|---------|
| Supply voltage             | Vcc    | + 3.0 | +3.3/+5.0 | + 5.5 | V    | [Note2] |
| Input voltage              | VI     | 0     |           | Vcc   | V    | [Note1] |
| Temperature(Panel surface) | Topa   | -30   |           | +80   |      | [Note3] |

[Note1] CK,R0 ~ R5,G0 ~ G5,B0 ~ B5,Hsync,Vsync,ENAB,R/L,U/D

[Note2]

Vcc-turn-on conditions

- 0<t1 15ms
- 0<t2 10ms
- 0<t3 100ms
- 0<t4 1s
- t5>200ms

Vcc-dip conditions

- 1) 2.5V Vcc
- td 10ms
- 2) Vcc<2.5V

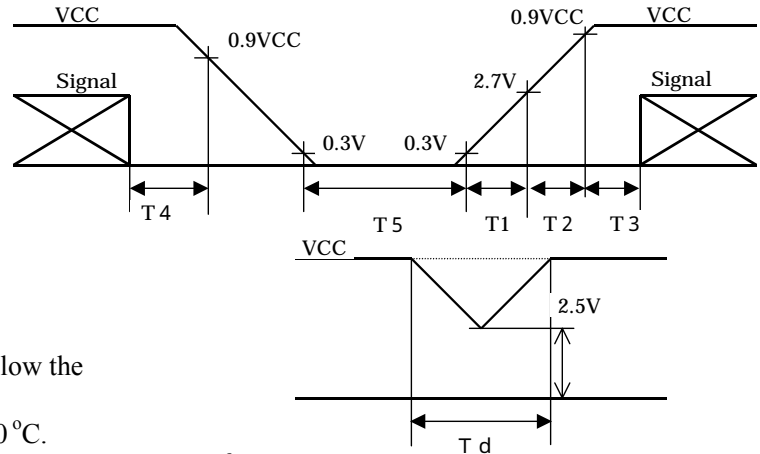
Vcc-dip conditions should also follow the Vcc-turn-on conditions

[Note3] Humidity: 95%RH Max. at Ta 40°C.

Maximum wet-bulb temperature at 39 °C

or less at Ta>40°C.

No condensation.



7. Electrical Characteristics

7-1. TFT-LCD panel driving

Ta=25°C

| Parameter                       |              | Symbol | Min.  | Typ. | Max. | Unit  | Remark          |
|---------------------------------|--------------|--------|-------|------|------|-------|-----------------|
| Current dissipation             | Vcc=3.3V     | Icc    | -     | 380  | 480  | mA    | [Note1]         |
|                                 | Vcc=5.0V     | Icc    | -     | 230  | 280  | mA    |                 |
| Permissive input ripple voltage |              | VRP    | -     | -    | 100  | mVp-p |                 |
| Input voltage                   | Low          | VIL    | -     | -    | 0.8  | V     | [Note2]         |
| Input voltage                   | High         | VIH    | 2.1   | -    | -    | V     |                 |
| Input current 1                 | Low(VI=0V)   | IOL1   | -10.0 | -    | 10.0 | μA    | [Note3],[Note6] |
|                                 | Hogh(VI=Vcc) | IOH1   | -10.0 | -    | 10.0 | μA    |                 |
| Input current 2                 | Low(VI=0V)   | IOL2   | -800  | -    | -    | μA    | [Note4],[Note6] |
|                                 | Hogh(VI=Vcc) | IOH2   | -10.0 | -    | 10.0 | μA    |                 |
| Input current 3                 | Low(VI=0V)   | IOL3   | -10.0 | -    | 10.0 | μA    | [Note5],[Note6] |
|                                 | Hogh(VI=Vcc) | IOH3   | -     | -    | 800  | μA    |                 |

[Note1] Typical current situation : 16-gray-bar pattern.

Vcc=+3.3V/+5.0V

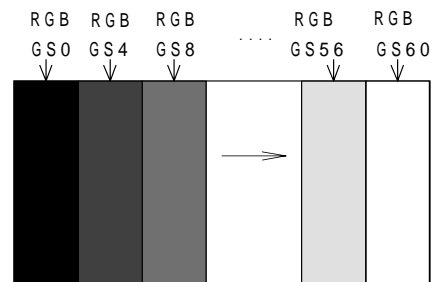
[Note2] CK,R0~R5,G0~G5,B0~B5,Hsync,Vsync,ENAB, R/L,U/D

[Note3] CK,R0~R5,G0~G5,B0~B5,Hsync,Vsync,ENAB,

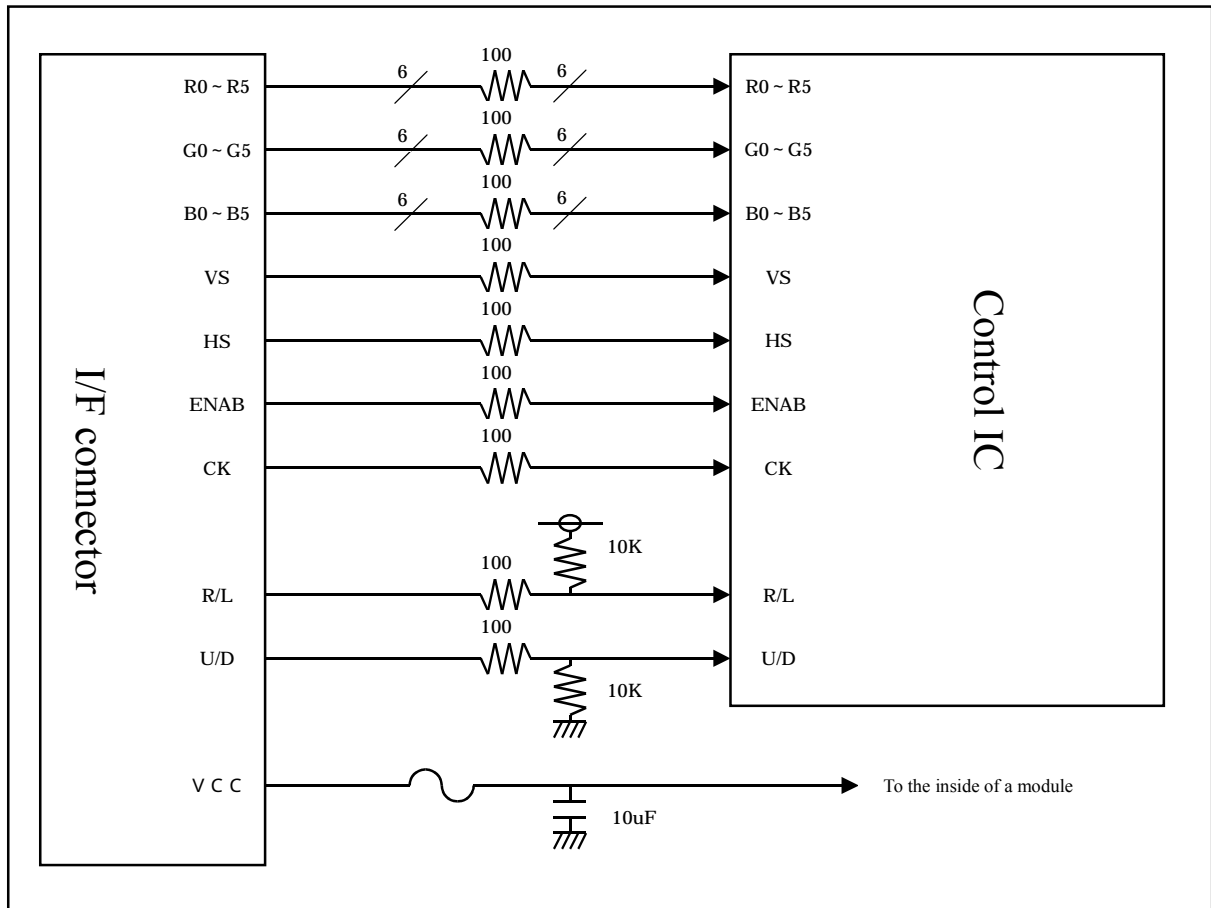
[Note4] R/L

[Note5] U/D

[Note6] See below block diagram of input interface.





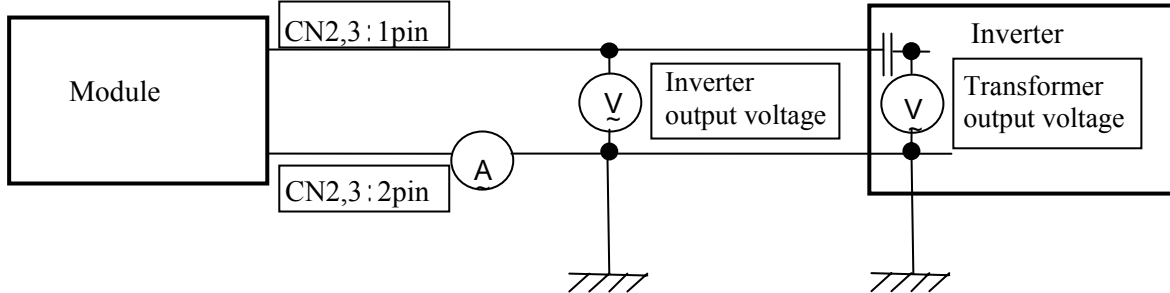


## 7-2. Backlight driving

The backlight system is an edge-lighting type with two CCFT (Cold Cathode Fluorescent Tube).  
The characteristics of single lamp are shown in the following table.

| Parameter              | Symbol | Min.  | Typ. | Max.   | Unit  | Remark                                          |                     |
|------------------------|--------|-------|------|--------|-------|-------------------------------------------------|---------------------|
| Lamp current range     | IL     | 3.0   | 6.0  | 6.5    | mArms | [Note1]                                         |                     |
| Lamp power consumption | PL     | -     | 3.5  | -      | W     | [Note2]                                         |                     |
| Lamp frequency         | FL     | 40    | 60   | 70     | kHz   | [Note3]                                         |                     |
| Kick-off voltage       | Vs     | -     | -    | 1300   | Vrms  | Inverter output                                 | [Note4]<br>Ta=-30°C |
|                        |        | -     | -    | (2000) | Vrms  | Transformer output<br>at barast capacitor =12pF |                     |
| Lamp life time         | LL     | 50000 | -    | -      | hour  | IL=6.0 mArms                                    | [Note5]             |
|                        |        | 60000 | -    | -      | hour  | IL=5.0 mArms                                    | [Note5]             |

[Note1] Lamp current is measured with current meter for high frequency as shown below.



[Note2] Referential data per one CCFT by calculation. ( $I_L \times V_L$ )

The data don't include loss at inverter. ( $I_L=6.0\text{mArms}$ )

[Note3] Lamp frequency may produce interference with horizontal synchronous frequency, and this may cause beat on the display. Therefore lamp frequency shall be detached as much as possible from the horizontal synchronous frequency and from the harmonics of horizontal synchronous to avoid interference.

[Note4] The voltage above this value should be applied to the lamp for more than 1 second to start-up. Otherwise the lamp may not be turned on.

[Note5] Since lamp is consumables, the life time written above is referential value and it is not guaranteed in this specification sheet by SHARP.

Above value is applicable when lamp (the long side of LCD module) is placed horizontally.

(Landscape position)

Lamp life time is defined that it applied either or under this condition  
(Continuous turning on at  $T_a=25^\circ\text{C}$ ,  $I_L=6.0\text{mArms}$ )

Brightness becomes 50% of the original value under standard condition.

Kick-off voltage at  $T_a=-30^\circ\text{C}$  exceeds maximum value, 1300Vrms.

(Lamp lifetime may vary if lamp is in portrait position due to the change of mercury density inside the lamp.)

In case of operating under lower temp environment, the lamp exhaustion is accelerated and the brightness becomes lower. (Continuous operating for around 1 month under lower temp condition may reduce the brightness to half of the original brightness.)

In case of such usage under lower temp environment, periodical lamp exchange is recommended.

[Note6] The performance of the backlight, for example life time or brightness, is much influenced by the characteristics of the DC-AC inverter for the lamp. When you design or order the inverter, please make sure that a poor lighting caused by the mismatch of the backlight and the inverter (miss-lighting, flicker, etc.) never occur. When you confirm it, the module should be operated in the same condition as it is installed in your instrument.

Be sure to use a back light power supply with the safety protection circuit such as the detection circuit for the excess voltage, excess current and or electric discharge waveform.

Be sure to use the detect circuit by which one side of the CCFT lamps can be controlled independently.

Otherwise, when one side of the CCFT is open, the excess current may possibly be applied to the other side of the lamp. Recommended inverter is "CXA-0454(TDK)".

("CXA-P1212B-WJL(TDK)" is also recommended under general temperature condition.)

[Note7] It is required to have the inverter designed so that to allow the impedance deviation of the two CCFT lamps and the capacity deviation of barast capacitor.

[Note8] Under the environment of 10lx or less, miss-lighting or lighting delay may occur.

8. Timing Characteristics of input signals  
 Timing diagrams of input signal are shown in Fig.2.

8-1. Timing characteristics

| Parameter                    | Symbol      | Min. | Typ. | Max.   | Unit  | Remark |   |
|------------------------------|-------------|------|------|--------|-------|--------|---|
| Clock                        | Frequency   | 1/Tc | 35   | 40.0   | 42.0  | MHz    | - |
|                              | High time   | Tch  | 6    | -      | -     | ns     | - |
|                              | Low time    | Tcl  | 6    | -      | -     | ns     | - |
|                              | Duty ratio  | Th/T | 40   | 50     | 60    | %      | - |
| Data                         | Setup time  | Tds  | 3    | -      | -     | ns     | - |
|                              | Hold time   | Tdh  | 5    | -      | -     | ns     | - |
| Horizontal sync. signal      | Cycle       | TH   | 20.8 | 26.4   | 39.9  | μs     | - |
|                              |             |      | 832  | 1056   | 1395  | clock  | - |
|                              | Pulse width | THp  | 2    | 128    | 200   | clock  | - |
| Vertical sync. signal        | Cycle       | TV   | 628  | 666    | 798   | line   | - |
|                              | Pulse width | TVp  | 2    | 4      | 6     | line   | - |
| Horizontal display period    | THd         | 800  | 800  | 800    | clock | -      |   |
| Hsync-Clock phase difference | THc         | 3    | -    | Tc-10  | ns    | -      |   |
| Hsync-Vsync phase difference | TVh         | 1    | -    | TH-THp | clock | -      |   |
| Vertical data start position | TVs         | 23   | 23   | 23     | line  | -      |   |

[Note] In case of lower frequency, the deterioration of display quality, flicker etc., may be occurred.

8-2. Horizontal display position

The horizontal display position is determined by ENAB signal and the input data corresponding to the rising edge of ENAB signal is displayed at the left end of the active area.

| Parameter                            | symbol      | Min. | Typ. | Max.       | Unit  | Remark |   |
|--------------------------------------|-------------|------|------|------------|-------|--------|---|
| Enable signal                        | Setup time  | Tes  | 5    | -          | Tc-10 | ns     | - |
|                                      | Pulse width | Tep  | 2    | 800        | TH-10 | clock  | - |
| Hsync-Enable signal phase difference | THE         | 0    | -    | TH-THp-800 | clock | -      |   |

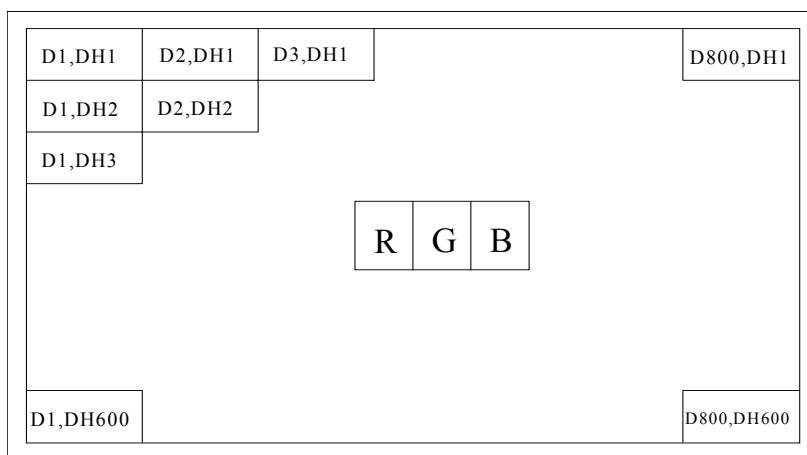
[Note] When ENAB is fixed "Low", the display starts from the data of C88(clock) as shown in Fig.2.

8-3. Vertical display position

The vertical display position, TVs is fixed "23" (line).

8-4. Input Data Signals and Display Position on the screen

Display position of input data



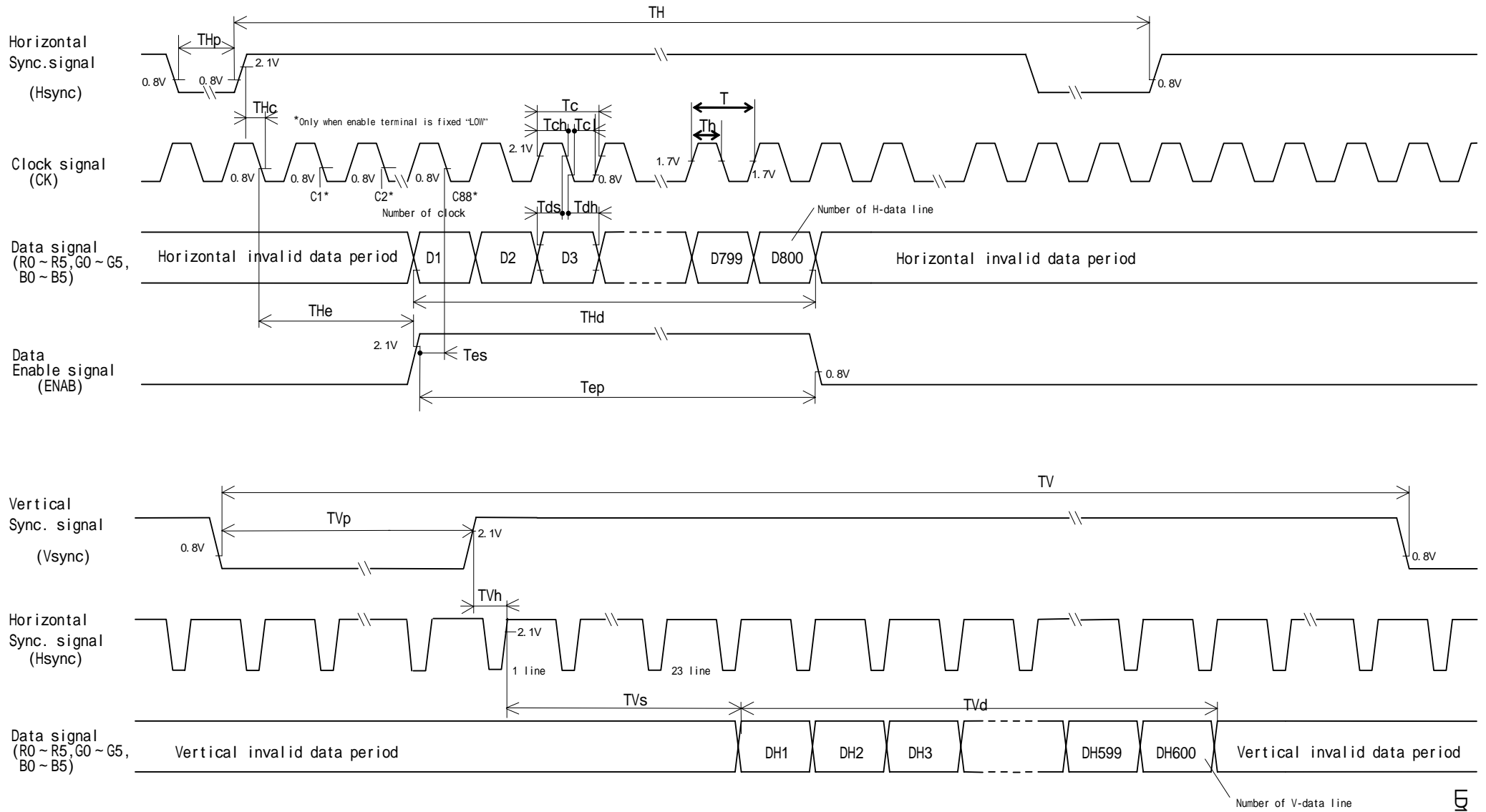


Fig. 2 Input signal waveforms

## 9. Input Signals, Basic Display Colors and Gray Scale of Each Color

| Colors &<br>Gray scale | Data signal |      |    |    |    |    |    |    |    |    |    |    |    |    |    |    |    |    |    |
|------------------------|-------------|------|----|----|----|----|----|----|----|----|----|----|----|----|----|----|----|----|----|
|                        | Gray Scale  | R0   | R1 | R2 | R3 | R4 | R5 | G0 | G1 | G2 | G3 | G4 | G5 | B0 | B1 | B2 | B3 | B4 | B5 |
| Basic Color            | Black       | -    | 0  | 0  | 0  | 0  | 0  | 0  | 0  | 0  | 0  | 0  | 0  | 0  | 0  | 0  | 0  | 0  | 0  |
|                        | Blue        | -    | 0  | 0  | 0  | 0  | 0  | 0  | 0  | 0  | 0  | 0  | 0  | 1  | 1  | 1  | 1  | 1  | 1  |
|                        | Green       | -    | 0  | 0  | 0  | 0  | 0  | 0  | 1  | 1  | 1  | 1  | 1  | 1  | 0  | 0  | 0  | 0  | 0  |
|                        | Cyan        | -    | 0  | 0  | 0  | 0  | 0  | 0  | 1  | 1  | 1  | 1  | 1  | 1  | 1  | 1  | 1  | 1  | 1  |
|                        | Red         | -    | 1  | 1  | 1  | 1  | 1  | 1  | 0  | 0  | 0  | 0  | 0  | 0  | 0  | 0  | 0  | 0  | 0  |
|                        | Magenta     | -    | 1  | 1  | 1  | 1  | 1  | 1  | 0  | 0  | 0  | 0  | 0  | 0  | 1  | 1  | 1  | 1  | 1  |
|                        | Yellow      | -    | 1  | 1  | 1  | 1  | 1  | 1  | 1  | 1  | 1  | 1  | 1  | 1  | 0  | 0  | 0  | 0  | 0  |
|                        | White       | -    | 1  | 1  | 1  | 1  | 1  | 1  | 1  | 1  | 1  | 1  | 1  | 1  | 1  | 1  | 1  | 1  | 1  |
| Gray Scale of Red      | Black       | GS0  | 0  | 0  | 0  | 0  | 0  | 0  | 0  | 0  | 0  | 0  | 0  | 0  | 0  | 0  | 0  | 0  |    |
|                        | ↑           | GS1  | 1  | 0  | 0  | 0  | 0  | 0  | 0  | 0  | 0  | 0  | 0  | 0  | 0  | 0  | 0  | 0  |    |
|                        | Darker      | GS2  | 0  | 1  | 0  | 0  | 0  | 0  | 0  | 0  | 0  | 0  | 0  | 0  | 0  | 0  | 0  | 0  |    |
|                        | ↑           | ↓    |    |    |    | ↓  |    |    |    |    | ↓  |    |    |    |    | ↓  |    |    |    |
|                        | ↓           | ↓    |    |    |    | ↓  |    |    |    |    | ↓  |    |    |    |    | ↓  |    |    |    |
|                        | Brighter    | GS61 | 1  | 0  | 1  | 1  | 1  | 1  | 0  | 0  | 0  | 0  | 0  | 0  | 0  | 0  | 0  | 0  |    |
|                        | ↓           | GS62 | 0  | 1  | 1  | 1  | 1  | 1  | 0  | 0  | 0  | 0  | 0  | 0  | 0  | 0  | 0  | 0  |    |
|                        | Red         | GS63 | 1  | 1  | 1  | 1  | 1  | 1  | 0  | 0  | 0  | 0  | 0  | 0  | 0  | 0  | 0  | 0  |    |
| Gray Scale of Green    | Black       | GS0  | 0  | 0  | 0  | 0  | 0  | 0  | 0  | 0  | 0  | 0  | 0  | 0  | 0  | 0  | 0  | 0  |    |
|                        | ↑           | GS1  | 0  | 0  | 0  | 0  | 0  | 0  | 1  | 0  | 0  | 0  | 0  | 0  | 0  | 0  | 0  | 0  |    |
|                        | Darker      | GS2  | 0  | 0  | 0  | 0  | 0  | 0  | 0  | 1  | 0  | 0  | 0  | 0  | 0  | 0  | 0  | 0  |    |
|                        | ↑           | ↓    |    |    |    | ↓  |    |    |    |    | ↓  |    |    |    |    | ↓  |    |    |    |
|                        | ↓           | ↓    |    |    |    | ↓  |    |    |    |    | ↓  |    |    |    |    | ↓  |    |    |    |
|                        | Brighter    | GS61 | 0  | 0  | 0  | 0  | 0  | 0  | 1  | 0  | 1  | 1  | 1  | 1  | 0  | 0  | 0  | 0  |    |
|                        | ↓           | GS62 | 0  | 0  | 0  | 0  | 0  | 0  | 0  | 1  | 1  | 1  | 1  | 1  | 0  | 0  | 0  | 0  |    |
|                        | Green       | GS63 | 0  | 0  | 0  | 0  | 0  | 0  | 1  | 1  | 1  | 1  | 1  | 1  | 0  | 0  | 0  | 0  |    |
| Gray Scale of Blue     | Black       | GS0  | 0  | 0  | 0  | 0  | 0  | 0  | 0  | 0  | 0  | 0  | 0  | 0  | 0  | 0  | 0  | 0  |    |
|                        | ↑           | GS1  | 0  | 0  | 0  | 0  | 0  | 0  | 0  | 0  | 0  | 0  | 0  | 1  | 0  | 0  | 0  | 0  |    |
|                        | Darker      | GS2  | 0  | 0  | 0  | 0  | 0  | 0  | 0  | 0  | 0  | 0  | 0  | 0  | 1  | 0  | 0  | 0  |    |
|                        | ↑           | ↓    |    |    |    | ↓  |    |    |    |    | ↓  |    |    |    |    | ↓  |    |    |    |
|                        | ↓           | ↓    |    |    |    | ↓  |    |    |    |    | ↓  |    |    |    |    | ↓  |    |    |    |
|                        | Brighter    | GS61 | 0  | 0  | 0  | 0  | 0  | 0  | 0  | 0  | 0  | 0  | 0  | 0  | 1  | 0  | 1  | 1  |    |
|                        | ↓           | GS62 | 0  | 0  | 0  | 0  | 0  | 0  | 0  | 0  | 0  | 0  | 0  | 0  | 0  | 1  | 1  | 1  |    |
|                        | Blue        | GS63 | 0  | 0  | 0  | 0  | 0  | 0  | 0  | 0  | 0  | 0  | 0  | 0  | 1  | 1  | 1  | 1  |    |

0 :Low level voltage, 1 : High level voltage

Each basic color can be displayed in 64 gray scales from 6 bit data signals. According to the combination of total 18 bit data signals, the 262,144-color display can be achieved on the screen.

10. Optical Characteristics

Ta=25°C, Vcc=+3.3V / +5.0V

| Parameter             | Symbol          | Condition             | Min.  | Typ.  | Max.  | Unit              | Remark                  |         |
|-----------------------|-----------------|-----------------------|-------|-------|-------|-------------------|-------------------------|---------|
| Viewing angle range   | Horizontal      | 21, 22                | CR>10 | 60    | 70    | -                 | Deg.                    | [Note1] |
|                       | Vertical        | 11                    |       | 35    | 50    | -                 | Deg.                    | [Note4] |
|                       |                 | 12                    |       | 55    | 60    | -                 | Deg.                    | [Note4] |
| Contrast ratio        | CRn             | =0°                   | 300   | -     | -     | -                 | [Note2]                 |         |
|                       | CRo             | Optimum viewing angle | -     | 600   | -     | -                 | [Note4]                 |         |
| Response time         | Rise            | r                     | =0°   | -     | 10    | -                 | ms                      | [Note3] |
|                       | Decay           | d                     |       | -     | 25    | -                 | ms                      | [Note4] |
| Chromaticity of white | x               |                       | 0.263 | 0.313 | 0.363 | -                 | [Note4]                 |         |
|                       | y               |                       | 0.279 | 0.329 | 0.379 | -                 |                         |         |
| Chromaticity of red   | x               |                       | 0.546 | 0.596 | 0.646 | -                 |                         |         |
|                       | y               |                       | 0.279 | 0.329 | 0.379 | -                 |                         |         |
| Chromaticity of green | x               |                       | 0.260 | 0.310 | 0.360 | -                 |                         |         |
|                       | y               |                       | 0.502 | 0.552 | 0.602 | -                 |                         |         |
| Chromaticity of blue  | x               |                       | 0.117 | 0.167 | 0.217 | -                 |                         |         |
|                       | y               |                       | 0.132 | 0.182 | 0.232 | -                 |                         |         |
| Luminance of white    | Y <sub>L1</sub> |                       | 360   | 450   | -     | cd/m <sup>2</sup> | IL=6.0mArms<br>fL=60kHz |         |
| White Uniformity      | δW              |                       | -     | -     | 1.35  | -                 | [Note5]                 |         |

[Note]

The measurement shall be executed 30 minutes after lighting at rating.

The optical characteristics shall be measured in a dark room or equivalent state with the method shown in Fig.3 below.

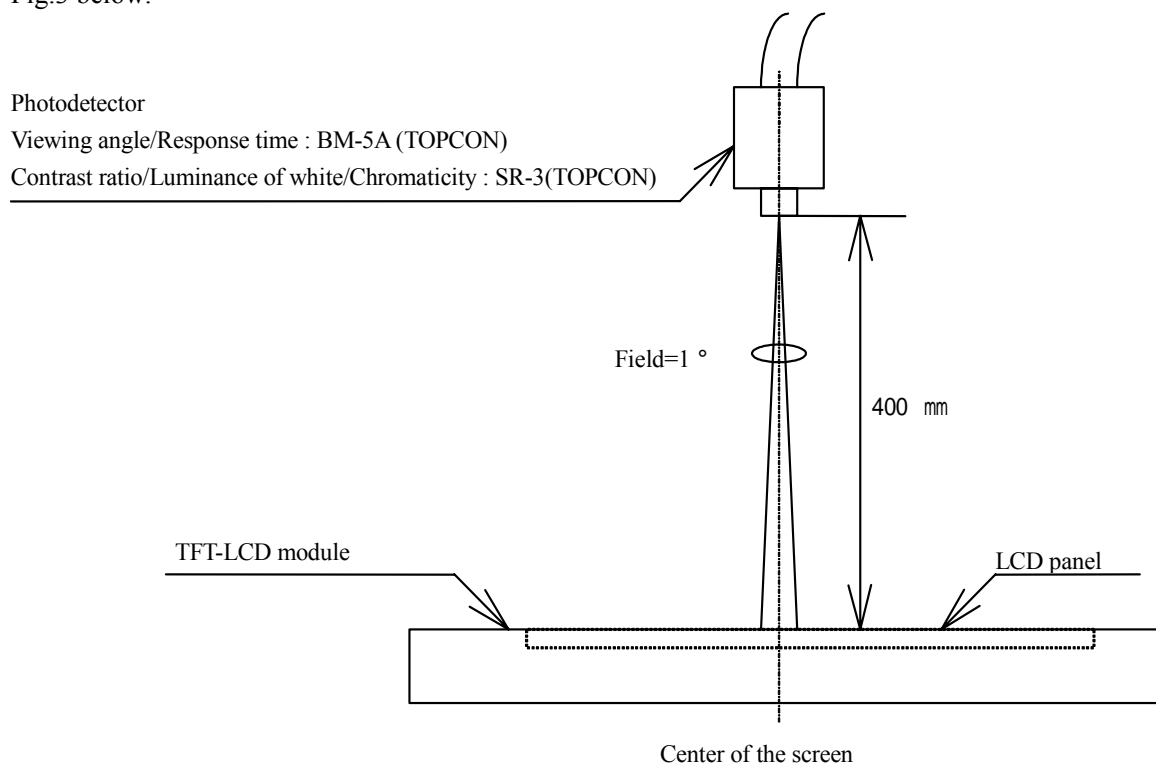
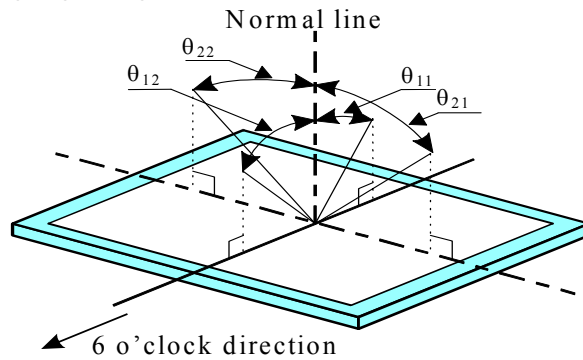


Fig.3 Optical characteristics measurement method

[Note1]Definitions of viewing angle range:



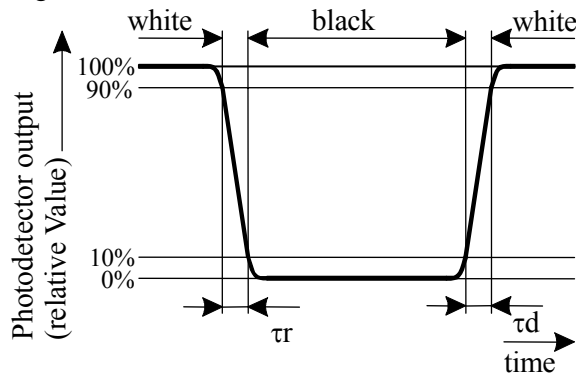
[Note2]Definition of contrast ratio:

The contrast ratio is defined as the following.

$$\text{Contrast Ratio (CR)} = \frac{\text{Luminance (brightness) with all pixels white}}{\text{Luminance (brightness) with all pixels black}}$$

[Note3]Definition of response time:

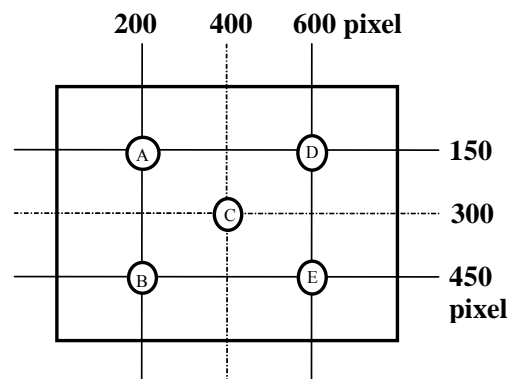
The response time is defined as the following figure and shall be measured by switching the input signal for "black" and "white" .



[Note4]This shall be measured at center of the screen.

[Note5]Definition of white uniformity:

White uniformity is defined as the following with five measurements (A~E).



$$w = \frac{\text{Maximum Luminance of five points (brightness)}}{\text{Minimum Luminance of five points (brightness)}}$$

### 11. Display Quality

The display quality of the color TFT-LCD module shall be in compliance with the Incoming Inspection Standard.

## 12. Handling Precautions

- a) Be sure to turn off the power supply when inserting or disconnecting the cable.
- b) Be sure to design the cabinet so that the module can be installed without any extra stress such as warp or twist.
- c) Since the front polarizer is easily damaged, pay attention not to scratch it.
- d) Wipe off water drop immediately. Long contact with water may cause discoloration or spots.
- e) When the panel surface is soiled, wipe it with absorbent cotton or other soft cloth.
- f) Since the panel is made of glass, it may break or crack if dropped or bumped on hard surface.  
Handle with care.
- g) Since CMOS LSI is used in this module, take care of static electricity and injure the human earth when handling. Observe all other precautionary requirements in handling components.
- h) Since there is a circuit board in the module back, stress is not added at the time of a design assembly. Please make it like. If stress is added, there is a possibility that circuit parts may be damaged.
- i) Protection film is attached to the module surface to prevent it from being scratched .  
Peel the film off slowly , just before the use, with strict attention to electrostatic charges.  
Blow off 'dust' on the polarizer by using an ionized nitrogen.
- j) The polarizer surface on the panel is treated with Anti-Glare for low reflection. In case of attaching protective board over the LCD, be careful about the optical interface fringe etc. which degrades display quality.
- k) Do not expose the LCD panel to direct sunlight. Lightproof shade etc. should be attached when LCD panel is used under such environment
- l) Connect GND to 4 place of mounting holes to stabilize against EMI and external noise.
- m) There are high voltage portions on the backlight and very dangerous. Careless touch may lead to electrical shock. When exchange lamps or service, turn off the power without fail.
- n) When handling LCD modules and assembling them into cabinets, please be noted that long-term storage in the environment of oxidization or deoxidization gas and the use of such materials as reagent, solvent, adhesive, resin, etc. which generate these gasses, may cause corrosion and discoloration of the LCD modules.
- o) Cold cathode fluorescent lamp in LCD panel contains a small amount of mercury, please follow local ordinances or regulations for disposal.
- p) Be careful of a back light lead not to pull by force at the time of the wiring to an inverter, or line processing.
- q) When install LCD modules in the cabinet, please tighten with “torque=0.294 ± 0.02N· m(3.0 ± 0.2kgf· cm)”.
- r) Liquid crystal contained in the panel may leak if the LCD is broken. Rinse it as soon as possible if it gets inside your eye or mouth by mistake.
- s) Notice: Never dismantle the module , because it will cause failure.
- t) Be careful when using it for long time with fixed pattern display as it may cause afterimage.
- u) Adjusting volume have been set optimally before shipment, so do not change any adjusted value.  
If adjusted value is changed, the specification may not be satisfied.
- v) If a minute particle enters in the module and adheres to an optical material, it may cause display non-uniformity issue, etc. Therefore, fine-pitch filters have to be installed to cooling and inhalation hole if you intend to install a fan.

## 13. Packing form

| Product countries / Areas                            | JAPAN                    | TAIWAN | CHINA |
|------------------------------------------------------|--------------------------|--------|-------|
| Piling number of cartons                             | 6                        |        |       |
| Package quantity in one carton                       | 10pcs                    |        |       |
| Carton size                                          | 388(L) x 334(W) x 263(H) |        |       |
| Total mass of one carton filled<br>with full modules | 10,000g                  |        |       |
| Packing form is shown                                | Fig4                     |        |       |



14. Reliability test items

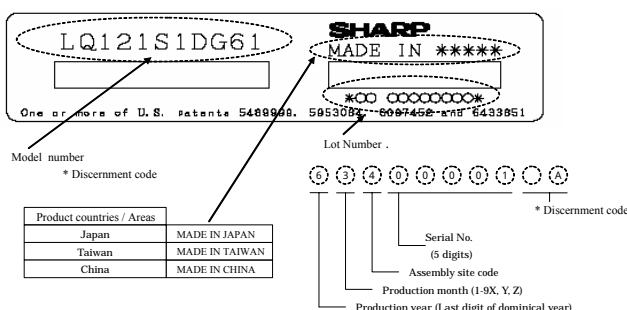
| No. | Test item                                       | Conditions                                                                                                                                                                                         | Remark         |
|-----|-------------------------------------------------|----------------------------------------------------------------------------------------------------------------------------------------------------------------------------------------------------|----------------|
| 1   | High temperature storage test                   | Ta=80 240h                                                                                                                                                                                         | Panel surface  |
| 2   | Low temperature storage test                    | Ta= -30 240h                                                                                                                                                                                       |                |
| 3   | High temperature & high humidity operation test | Ta=40 ; 95%RH 240h<br>(No condensation)                                                                                                                                                            |                |
| 4   | High temperature operation test                 | Ta=80 240h                                                                                                                                                                                         | Panel surface  |
| 5   | Low temperature operation test                  | Ta= -30 240h                                                                                                                                                                                       |                |
| 6   | Vibration test (non- operating)                 | Frequency: 10 ~ 57Hz/Vibration width (one side):0.153mm<br>: 57 ~ 500Hz/Gravity: 14.7 m/s <sup>2</sup><br>Sweep time : 11 minutes<br>Test period : 3 hours<br>(1 hour for each direction of X,Y,Z) |                |
| 7   | Shock test (non- operating)                     | Max. gravity : 490m/s <sup>2</sup><br>Pulse width : 11ms, half sine wave<br>Direction : ± X, ± Y, ± Z once for each direction.                                                                     |                |
| 8   | ESD test                                        | Contact discharge (150pF 330 )<br>non-operating = ± 10kV, operating = ± 8kV<br>Atmospheric discharge (150pF 330 )<br>non-operating = ± 20kV, operating = ± 15kV                                    |                |
| 9   | EMI                                             | Measurement in 10m site<br>Display position on the screen = "H" (full-screen),<br>GND to 4 place = un-connect, Vcc / Vsignal = typ.                                                                | VCCI (Class B) |

[Result Evaluation Criteria]

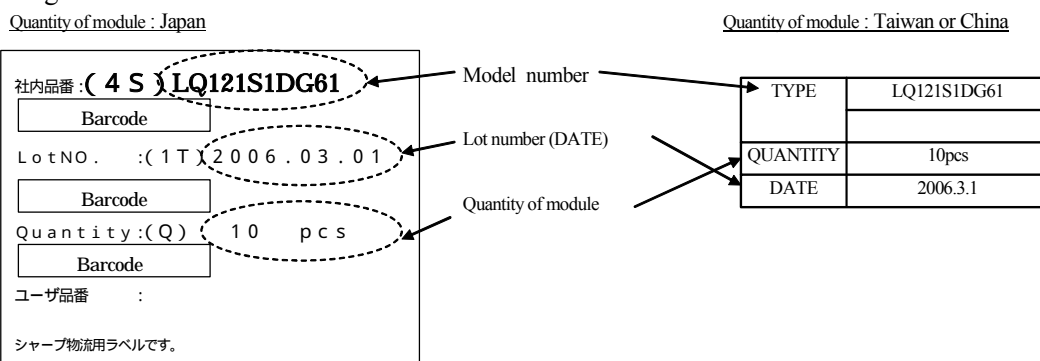
Under the display quality test conditions with normal operation state, these shall be no change which may affect practical display function. (normal operation state : Temperature:15 ~ 35 , Humidity:45 ~ 75%, Atmospheric pressure:86 ~ 106kpa)

15. Others

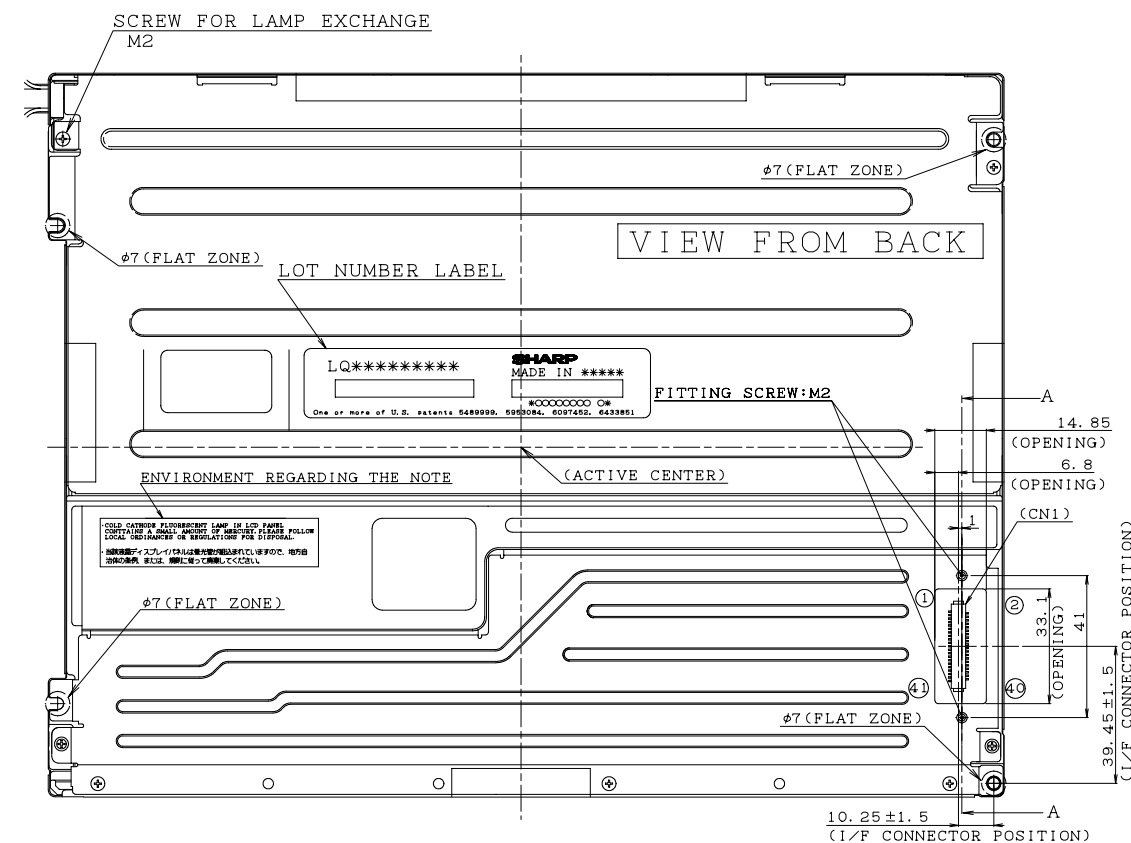
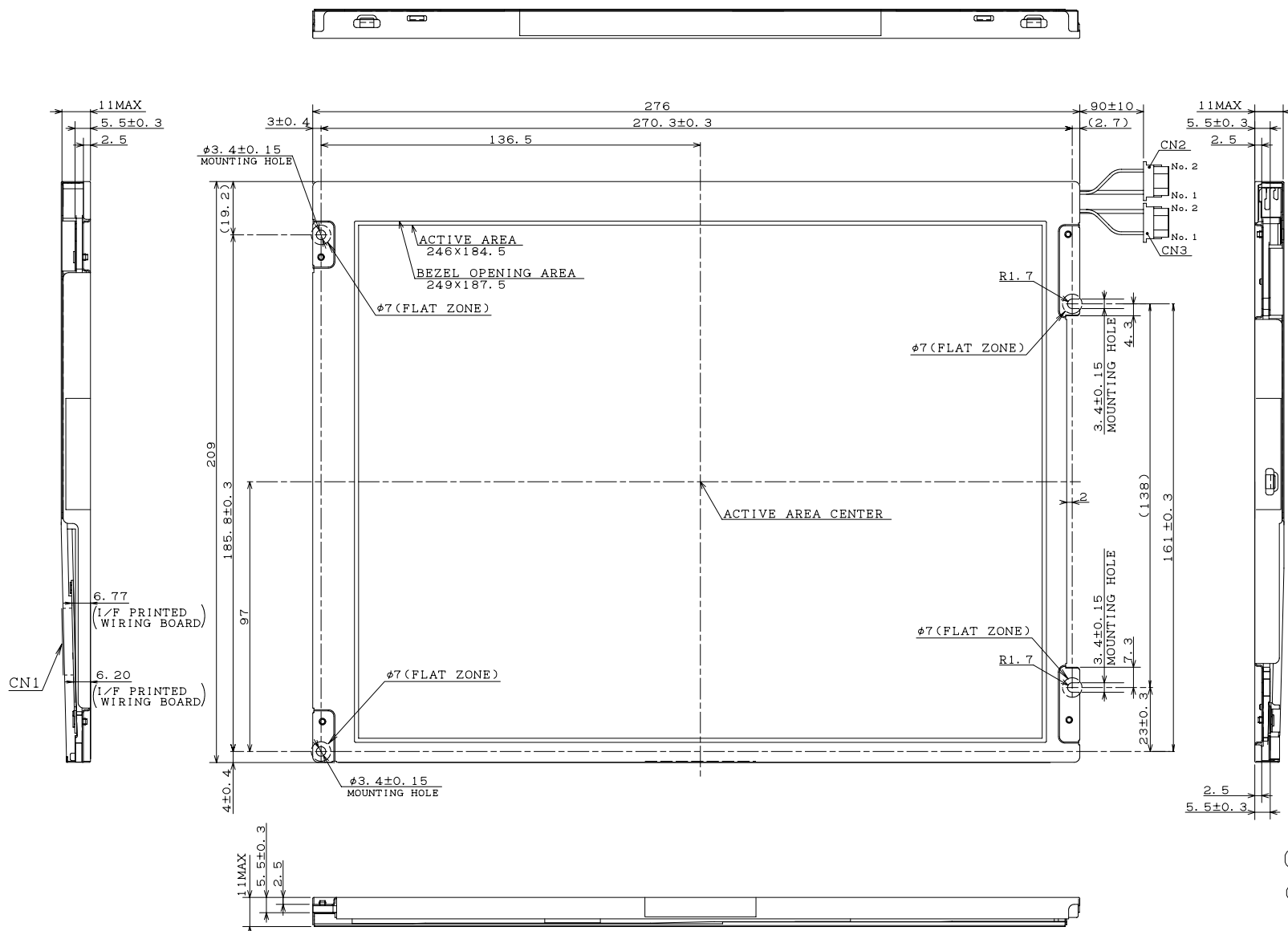
15-1 Lot number Label:



15-2 Packing box Label:

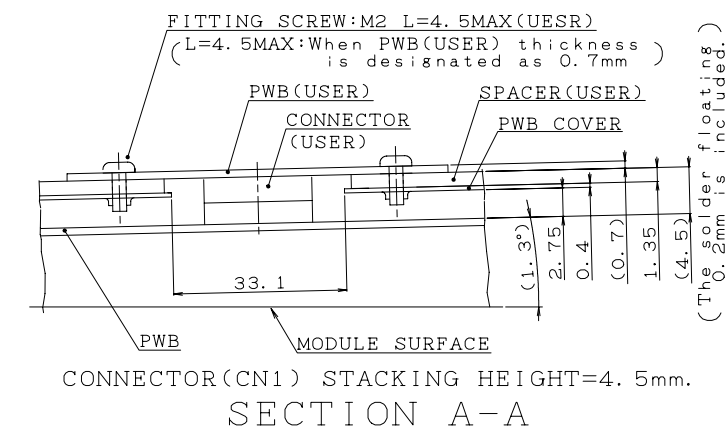


15-3 If any problem occurs in relation to the description of this specification , it shall be resolved through discussion with spirit of cooperation.



CCFT CONNECTOR  
 CN2, CN3: BHR-02(8.0)VS-1N(JST)  
 PIN LAYOUT

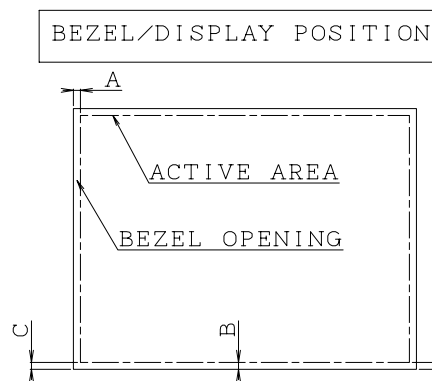
|   |      |
|---|------|
| 1 | High |
| 2 | GND  |



INTERFACE CONNECTOR  
 PIN LAYOUT(41PIN)

| pin | 1   | 2   | 3   | 4     | 5     | 6    | 7   | 8   | 9   | 10  | 11  | 12  | 13  | 14 | 15 |    |
|-----|-----|-----|-----|-------|-------|------|-----|-----|-----|-----|-----|-----|-----|----|----|----|
|     | GND | CK  | GND | Hsync | Vsync | GND  | GND | GND | R0  | R1  | R2  | GND | R3  | R4 | R5 |    |
| 16  | 17  | 18  | 19  | 20    | 21    | 22   | 23  | 24  | 25  | 26  | 27  | 28  | 29  | 30 | 31 |    |
|     | GND | GND | GND | G0    | G1    | G2   | GND | G3  | G4  | G5  | GND | GND | GND | B0 | B1 | B2 |
| 32  | 33  | 34  | 35  | 36    | 37    | 38   | 39  | 40  | 41  |     |     |     |     |    |    |    |
|     | GND | B3  | B4  | B5    | GND   | ENAB | R/L | VCC | VCC | U/D |     |     |     |    |    |    |

CORRESPONDING CONNECTOR: DF9-41S-1V, DF9A-41S-1V, DF9B-41S-1V, DF9M-41S-1V



- 1) TOLERANCE X-DIRECTION A: 1.5±0.8
- 2) TOLERANCE Y-DIRECTION B: 1.5±0.8
- 3) OBLIQUITY OF DISPLAY AREA |C-D| < 0.8

NOTES

- 1. UNSPECIFIED TOLERANCE TO BE ±0.5
- 2. WARP AND FLATING FOR PCB AND CHASSIS ARE EXCLUDED FROM THICKNESS AND DIMENSION OF THE UNIT.
- 3. RECOMMENDED TIGHTEN TORQUE FOR MOUNTING 0.294±0.02N·m(3.0±0.2kgf·cm)

Fig 1. OUTLINE DIMENSIONS  
 (LQ121SIDG61)

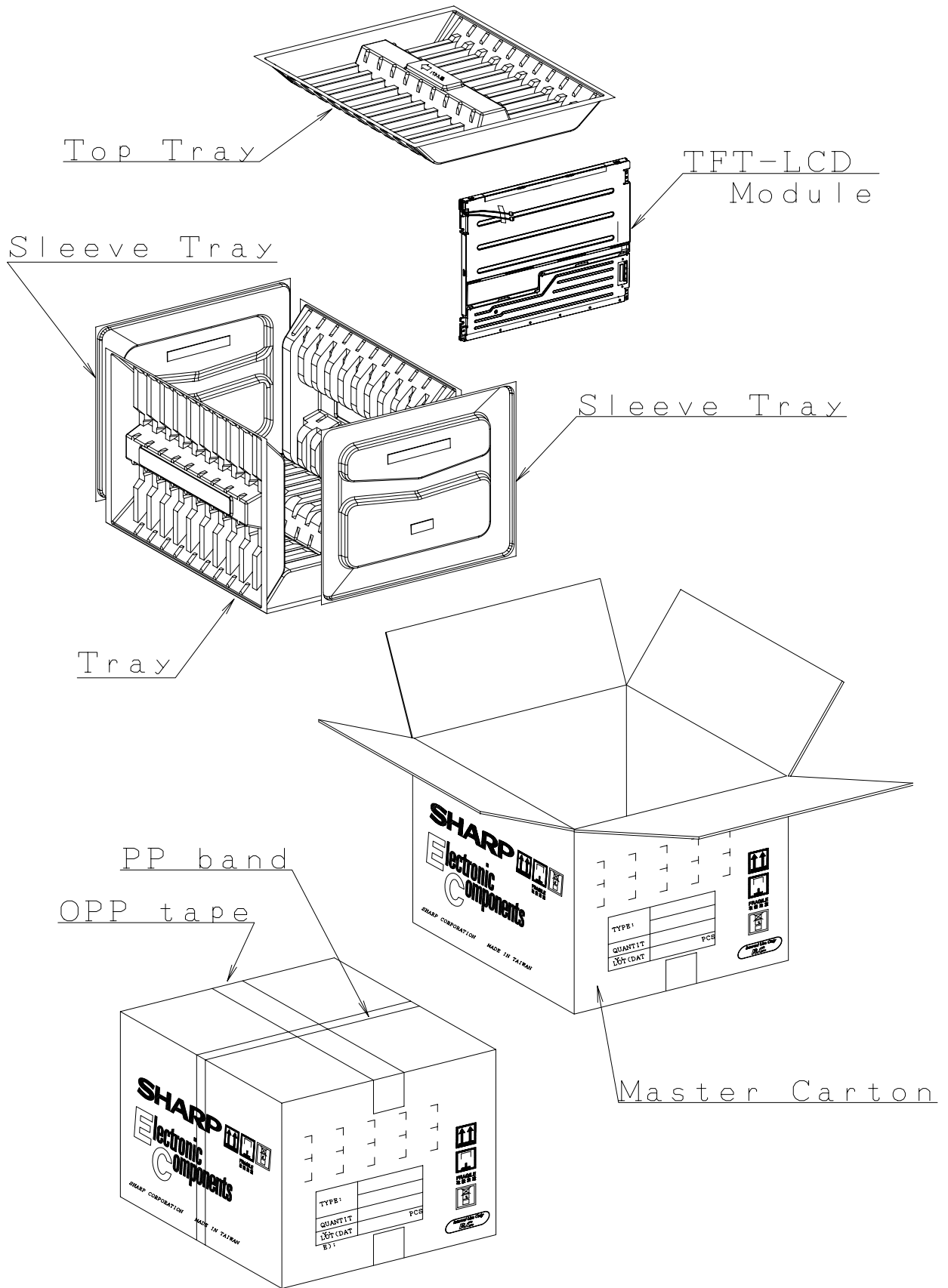


Fig4. Packing Form

**SPECIFICATIONS ARE SUBJECT TO CHANGE WITHOUT NOTICE.**

Suggested applications (if any) are for standard use; See Important Restrictions for limitations on special applications. See Limited Warranty for SHARP's product warranty. The Limited Warranty is in lieu, and exclusive of, all other warranties, express or implied. ALL EXPRESS AND IMPLIED WARRANTIES, INCLUDING THE WARRANTIES OF MERCHANTABILITY, FITNESS FOR USE AND FITNESS FOR A PARTICULAR PURPOSE, ARE SPECIFICALLY EXCLUDED. In no event will SHARP be liable, or in any way responsible, for any incidental or consequential economic or property damage.

---

# SHARP®

## **NORTH AMERICA**

---

SHARP Microelectronics of the Americas  
5700 NW Pacific Rim Blvd.  
Camas, WA 98607, U.S.A.  
Phone: (1) 360-834-2500  
Fax: (1) 360-834-8903  
Fast Info: (1) 800-833-9437  
www.sharpsma.com

## **EUROPE**

---

SHARP Microelectronics Europe  
Division of Sharp Electronics (Europe) GmbH  
Sonninstrasse 3  
20097 Hamburg, Germany  
Phone: (49) 40-2376-2286  
Fax: (49) 40-2376-2232  
www.sharpsme.com

## **JAPAN**

---

SHARP Corporation  
Electronic Components & Devices  
22-22 Nagaike-cho, Abeno-Ku  
Osaka 545-8522, Japan  
Phone: (81) 6-6621-1221  
Fax: (81) 6117-725300/6117-725301  
www.sharp-world.com

## **TAIWAN**

---

SHARP Electronic Components  
(Taiwan) Corporation  
8F-A, No. 16, Sec. 4, Nanking E. Rd.  
Taipei, Taiwan, Republic of China  
Phone: (886) 2-2577-7341  
Fax: (886) 2-2577-7326/2-2577-7328

## **SINGAPORE**

---

SHARP Electronics (Singapore) PTE., Ltd.  
438A, Alexandra Road, #05-01/02  
Alexandra Technopark,  
Singapore 119967  
Phone: (65) 271-3566  
Fax: (65) 271-3855

## **KOREA**

---

SHARP Electronic Components  
(Korea) Corporation  
RM 501 Geosung B/D, 541  
Dohwa-dong, Mapo-ku  
Seoul 121-701, Korea  
Phone: (82) 2-711-5813 ~ 8  
Fax: (82) 2-711-5819

## **CHINA**

---

SHARP Microelectronics of China  
(Shanghai) Co., Ltd.  
28 Xin Jin Qiao Road King Tower 16F  
Pudong Shanghai, 201206 P.R. China  
Phone: (86) 21-5854-7710/21-5834-6056  
Fax: (86) 21-5854-4340/21-5834-6057

### **Head Office:**

No. 360, Bashen Road,  
Xin Development Bldg. 22  
Waigaoqiao Free Trade Zone Shanghai  
200131 P.R. China  
Email: smc@china.global.sharp.co.jp

## **HONG KONG**

---

SHARP-ROXY (Hong Kong) Ltd.  
3rd Business Division,  
17/F, Admiralty Centre, Tower 1  
18 Harcourt Road, Hong Kong  
Phone: (852) 28229311  
Fax: (852) 28660779  
www.sharp.com.hk

### **Shenzhen Representative Office:**

Room 13B1, Tower C,  
Electronics Science & Technology Building  
Shen Nan Zhong Road  
Shenzhen, P.R. China  
Phone: (86) 755-3273731  
Fax: (86) 755-3273735