



LYGO Int. Co. Ltd.

利高電業國際有限公司

Unit1902, 19/f, Modem Warehouse, 6 Shing Yip Street,
Kwun Tong, HongKong

SPECIFICATION

MODEL NO. : LG150020EP

CUSTOMER : Compel

SPEC. REF. NO. : SFR04459 VERSION 0 SR. NO.: RR-1245/04

DATA NO.: : DR04383

ARTICLE : AC/DC ADAPTOR

TRANSFORMER SIZE : EI-35

STD. : GS

DESCRIPTION : AC230V 50Hz ; DC15V 200mA VERSION: 0

ISSUED BY : December 18, 2004
DATE SIGNATURE

APPROVED BY : December 18, 2004
DATE SIGNATURE

Please confirm your acceptance by signing and return one copy to us.	Sign and Chop : Date :
Your Part Number :	
Your Sample approval reference Number:	

HISTORY SHEET:

REVISION	DETAILS	DATE
0	Official release	December 18, 2004

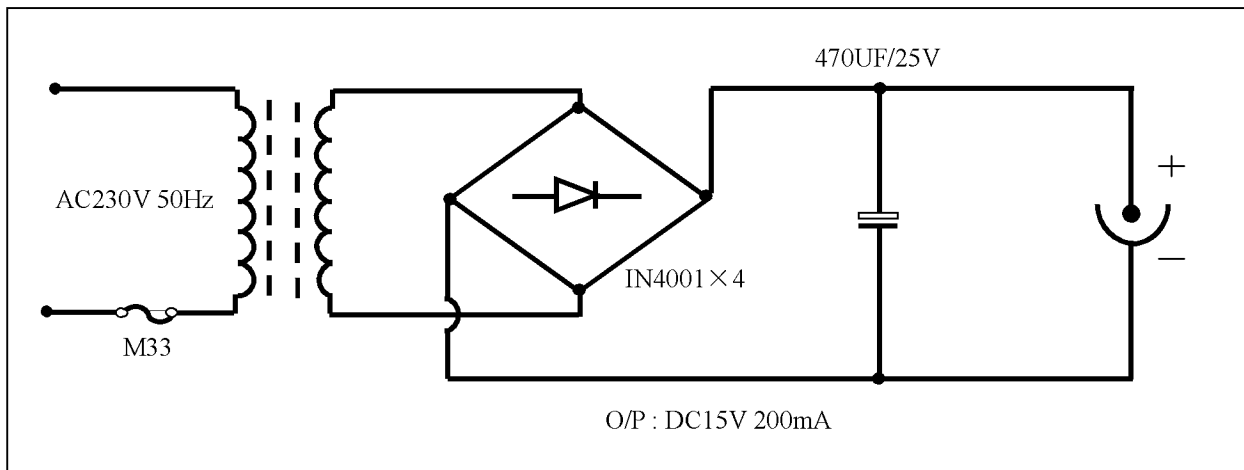
SPECIFICATIONS :

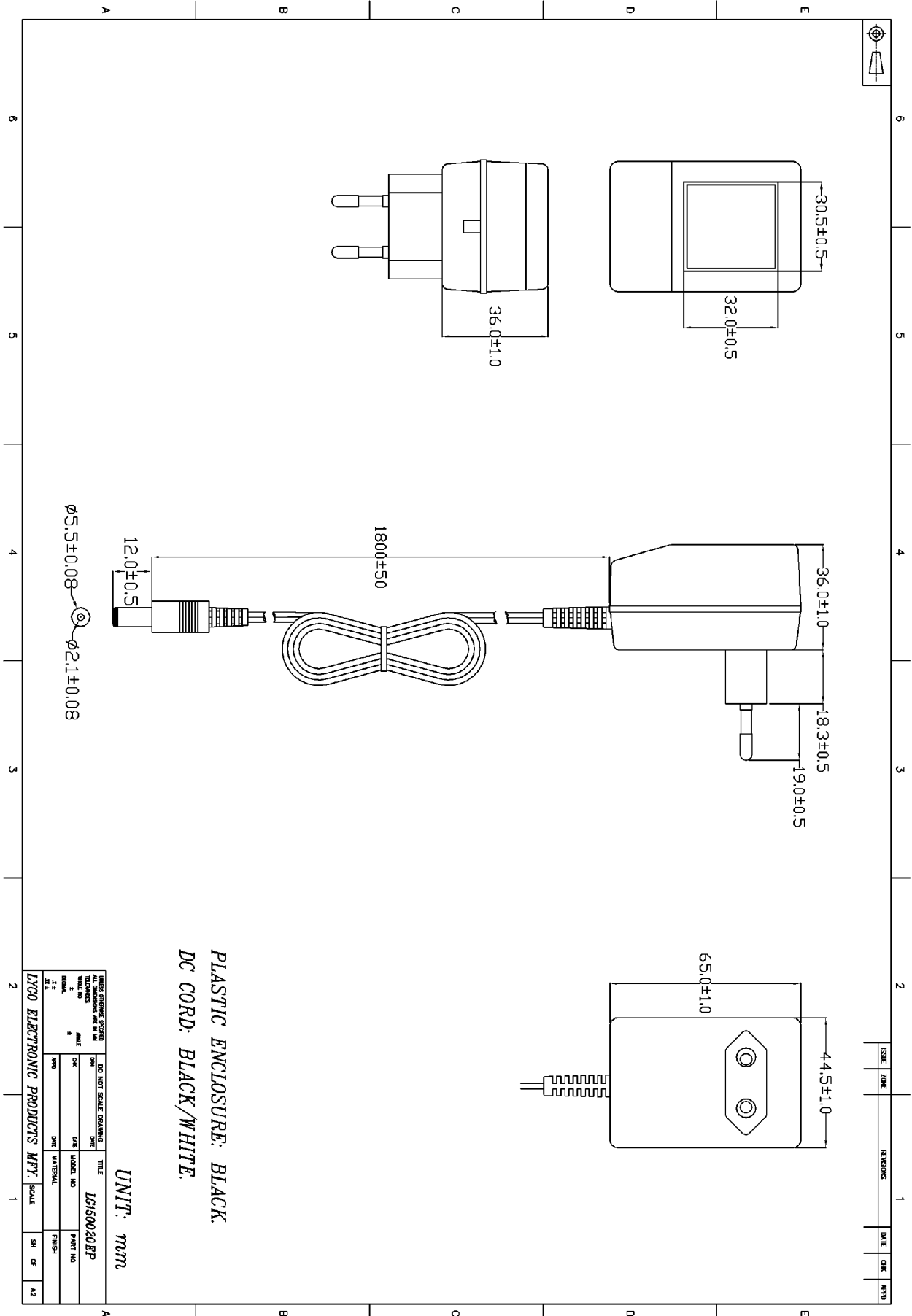
OUR REF. NO : LG150020EP	DATA NO.: DR04383
ARTICLE : AC/DC ADAPTOR	CORE TYPE : EI-35
DESCRIPTION : INPUT: AC230V50Hz OUTPUT: DC15V 200mA	CERTIFICATION :

ELECTRICAL SPECIFICATIONS :

1		ITEM	NORMAL	LIMIT
2	INPUT	VOLTAGE	I/P: AC230V 50 Hz	AC V +- 5% Hz
3		EXCITING CURRENT		55 mA Max.
4		FULL LOAD CURRENT		60 mA Max.
5		PRIMARY DC RESISTANCE	990 ohm	+/- 15%
6		FULL LOAD INPUT POWER	7 W	+ -5%
7		THERMAL FUSE	130°C	
8		OUTPUT	OUTPUT VOLTAGE @ AC230V, NO LOAD	O/P: DC22.4V
9	OUTPUT VOLTAGE @ I/P: AC230V50Hz O/P LOAD : DC200mA		O/P: DC 15V	+ -5%
10				
11	PCB COMPOENT		DIODE(IN4001 × 4);E,CAP(470UF/25V)	
12	OUTPUT CABLE+PLUG		1.8M long, AWG #24, Φ 2.1 × 5.5 × 12.0mm female I plug	
13		POLARITY	CENTER (+)	
14		INSULATION RESISTANCE	PRIMARY – SEC	DC 500V 100M OHM MINIMUM
15		INSULATION RESISTANCE	PRIMARY – CORE	DC 500V 100M OHM MINIMUM
16		DIELECTRIC STRENGTH	PRIMARY – SEC	AC 3750V 1mA 1minute
17		DIELECTRIC STRENGTH	PRIMARY – CORE	AC 3750V 1mA 1minute
18		DIELECTRIC STRENGTH	SECONDARY-CORE	AC 500 V 1mA 1minute
19		IMPEREGNATION	VARNISHED	
20		SAFETY STANDARD	EN61558 EN60950	

SCHEMATIC:





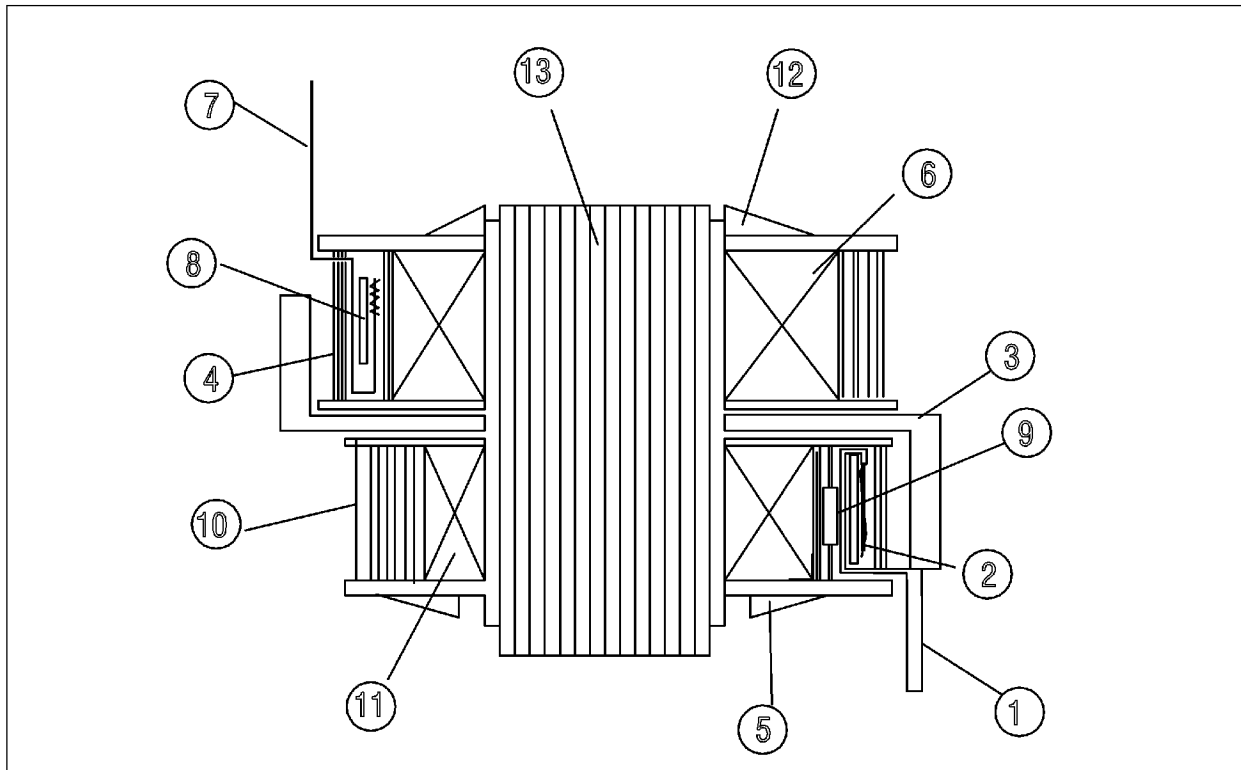
PLASTIC ENCLOSURE: BLACK
 DC CORD: BLACK/WHITE

UNIT: mm

UNLESS OTHERWISE SPECIFIED		DO NOT SCALE DRAWING		TITLE	
ALL DIMENSIONS ARE IN MM	SCALE	DATE	DATE	MODEL NO	PART NO
WELD NO		CHK			
REVISION		APP			
DATE		DATE			
BY		APPROVAL			
BY		SCALE			

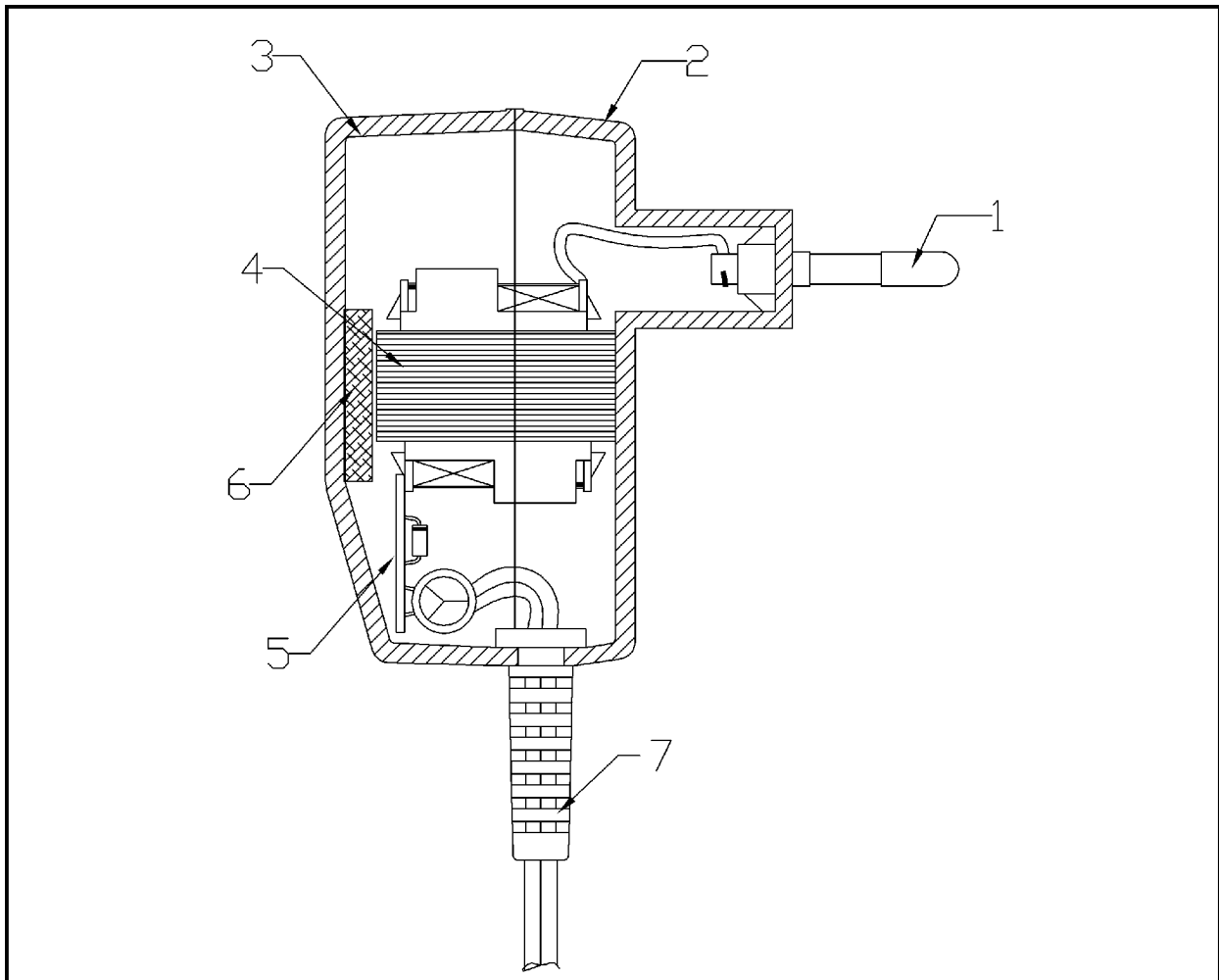
LYGO ELECTRONIC PRODUCTS MFG. SCALE

TRANSFORMER CORE CONSTRUCTION



ITEM	DESCRIPTION	MATERIALS
1	PRIMARY LEADOUT	Input tenninal brass metal with nickel plated temp. 105 deg.
2&8	FIXING FIBERS	Electrical Grad Paper
3	BOBBIN HOLDER	Nylon Zytel , Type 101F 0.64mm. Thickness min.
4&10	PRI. & SEC. COIL OUTWARD	Polyester tape, Type 3 Layers 0.05mm
5&12	PRI. & SEC. BOBBINS	Nylon Zytel , Type 101F 0.64mm. Thickness min.
6	SECONDRY COIL	Polyurethane enamelled copper wire 2UEW
7	SECONDRY LEADOUT	Polyurethane enamelled copper wire 2UEW
9	THERMAL PROTECTECTION	M33 130°C
11	PRIMARY COIL	Polyurethane enamelled copper wire 2UEW
13	EI CORE ASS	Silicon steel EI-35

CASING ASSEMBLY:



ITEM	DESCRIPTION	MATERIALS
1	PLUG PIN	BRASS METAL WITH NICKEL PLATED
2	TOP CASE	ABS Vo
3	BOTTOM CASE	ABS Vo
4	TRANSFORMER	EI-35 I/P : AC230V 50Hz O/P : DC15V 200mA
5	PCB ASS' Y	PHENOLICBOARD94V-0,DIODE(IN4001 × 4),E,CAP(470UF/25V)
6	SPONGE	40 × 25 × 9mm
7	DC CORD	Twin wire AWG 24# black/white , 1.8M W/PLUG: □2.1 × 5.5 × 12.0mm "I" TYPE

TEMPERRATURE RISE :

Version	Requirement	Result
UL1310 ADAPTOR	- 75K max at Pri & Sec winding by resistance method - 50K max at enclosure by Thermocouple method	/
IEC/EN61558 /950 EURO/BS/ AUS/CHINA	- 95K max at Pri & Sec winding by resistance method - 80DgC max at enclosure by Thermocouple method	PASS

DROP TEST :

Version	Safety standard	Result	Testing method	Requirement
UL	UL1310	/	Each unit is to be dropped(free fall)three times in succession from a height of 3feet onto a concrete floor al least 2-1/2 inches thick covered with a nominal 1/8-inch-thick vinyl title. .The impact area is to be at least 3 square feet in area	the samples is to be subjected to the dielectric voltage withstand of 2kv AC for 2 sec, ,there should be no development of a risk of fire or electric shock
CSA	C22.2 NO:223-1987	/		
EURO BS SAA CHINA	EN/IEC 61559/950	PASS	Each unit free fall from a gheight of 40 mm to a smooth stell plate at least 5mm thick, lying on a flat concrete. 100 falls are mode at a rate not exceeding one fall per 5's.	The sample is to be subjected to the hi-pot test of 2KV AC for 2 sec. There should be no risk of fire or electric shock.

LYGO Int. Co. Ltd.

TESTING DATA

MODEL NO.: <u>LG150020EP</u>	S.R.NO.: <u>RR-1245/04</u>
CUSTOMER: <u>Compel</u>	SAFETY STD.: <u>GS</u>
ARTICLE: <u>AC-DC ADAPTOR</u>	DATE: <u>2004-12-18</u>
DESCRIPTION: <u>AC 230V 50Hz</u>	
DESCRIPTION: <u>DC 15V 200mA</u>	

UNIT	INPUT			OUTPUT VOLTAGE		
	NO LOAD CURRENT(mA)	FULL LOAD CURRENT(mA)	FULL LOAD POWER(W/A)	NO LOAD (V)	FULL LOAD (V)	OUTPUT CURRENT (mA)
1	30	33	5.8	22.4	15	200

NAMEPLATE HISTORY:

MODEL NO.:	LG150020EP	SPEC NO.	SFR04459
ISSUE DATE	REVISION	DETAILS	VERIFY BY
May 6, 2005	0	official release	Sun Ng



SIZE : 29.6 × 31.6mm
 MATERIAL : PVC
 BASE : BLACK COLOR
 WORDS : WHITE COLOR