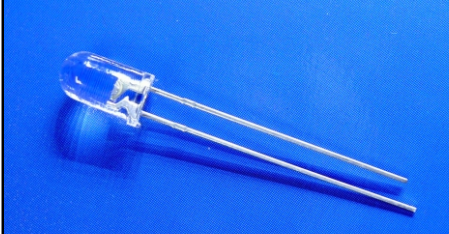
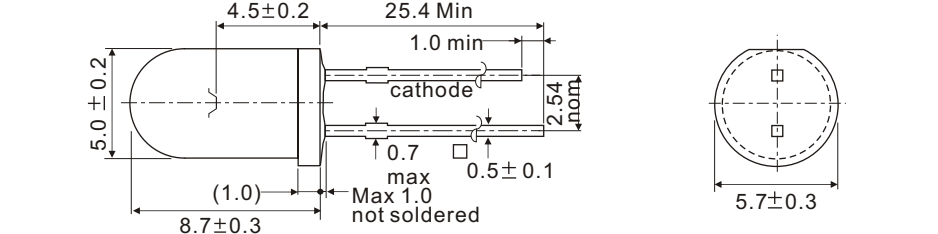


Extra Bright LEDs

IF=20mA Ta=25°C

Device No	Color		Wavelength (nm)		VF Typical (V)	Brightness (mcd)		View Angle 2θ1/2
	Emitter	Lens	λp	λd		IV1	IV2	

								
HB5-433DG-C	yellow green	water clear	570	567	2.15	100	300	30
HB5-433CG-C	yellow green	water clear	570	567	2.15	150	500	30
HB5-433BG-C	yellow green	water clear	575	572	2.20	500	900	40
HB5-433BA-C	cyan	water clear	502	505	3.50	3000	4500	45
HB5-433AGCA-C	pure green	water clear	523	525	3.50	3500	4300	45
HB5-433AGD-C	pure green	water clear	523	525	3.50	3800	4700	45
HB5-434AY-C	yellow	water clear	592	590	2.00	800	1000	40
HB5-434FY-C	yellow	water clear	592	590	2.00	1200	2400	40
HB5-434VY-C	yellow	water clear	592	590	2.00	1400	2700	40
HB5-434SY-C	yellow	water clear	592	590	2.25	1800	3000	45
HB5-435AO-C	orange	water clear	620	615	2.00	800	1000	40
HB5-435FO-C	orange	water clear	620	615	2.00	1400	2400	40
HB5-435AOR-C	fresh red	water clear	635	626	2.00	1000	1500	40
HB5-435SOR-C	fresh red	water clear	638	629	2.25	2000	3000	40
HB5-436DR-C	deep red	water clear	660	643	1.80	120	250	30
HB5-436CR-C	deep red	water clear	660	643	1.80	175	600	30
HB5-436BR-C	soft red	water clear	655	638	2.10	160	500	40
HB5-436AR-C	deep red	water clear	660	645	1.86	600	1800	30
HB5-436ARA-C	deep red	water clear	660	645	1.86	750	2800	30
HB5-437FA-C	amber	water clear	607	605	2.00	1200	2400	40
HB5-438ABCA-C	blue	water clear	468	470	3.50	1000	1400	45
HB5-438ABD-C	blue	water clear	468	470	3.50	1200	1800	45

IV1:Labsphere LED-1100 IV2:EXELTRON 2001.