

SINCE 1981

BRIGHT LED ELECTRONICS CORP.

BLINKING LED LAMPS (ROUND TYPES) SPECIFICATION

TOTAL PAGE: 5

PAGE: 1

REVISION: 1.0

●COMMODITY : T-1 3/4 Standard 1.0"Lead, 5 φ LED LAMP

●DEVICE NUMBER : BB-B6174

SHEET DATE	1	2	3	4	5							CONTENTS
2001.07.21	1.0	1.0	1.0	1.0	1.0							Initial Released
2002.06.28	1.1	1.1	-	-	-							Revise Operating Voltage

TOTAL PAGE	5																			
------------	---	--	--	--	--	--	--	--	--	--	--	--	--	--	--	--	--	--	--	--

佰鴻工業股份有限公司

BRIGHT LED ELECTRONICS CORP.

台北縣板橋市和平路 19 號 3 樓
 3F., No. 19, Ho Ping Road, Pan Chiao City,
 Taipei, Taiwan, R. O. C.
 Tel: 886-2-29591090
 Fax: 886-2-29547006/29558809
www.brtled.com

APPROVED	DRAWN

BRIGHT LED ELECTRONICS CORP.

BLINKING LED LAMP SPECIFICATION

● DEVICE NUMBER : BB-B6174

PAGE: 2

● FEATURES :

VERSION : 1.1

- Plastic case color Red Diffused
- T-1 3/4 Standard 1.0"Lead, 5 ϕ
- 1/4 Duty Cycle
- Pulse Rate 2.4 Hz (VDD=5V)
- Operating Voltage : 5V~15V (DC)
- Easily be driven by TTL & C-MOS circuit no external circuit needed

● ELECTRICAL AND OPTICAL CHARACTERISTICS (Ta=25°C)

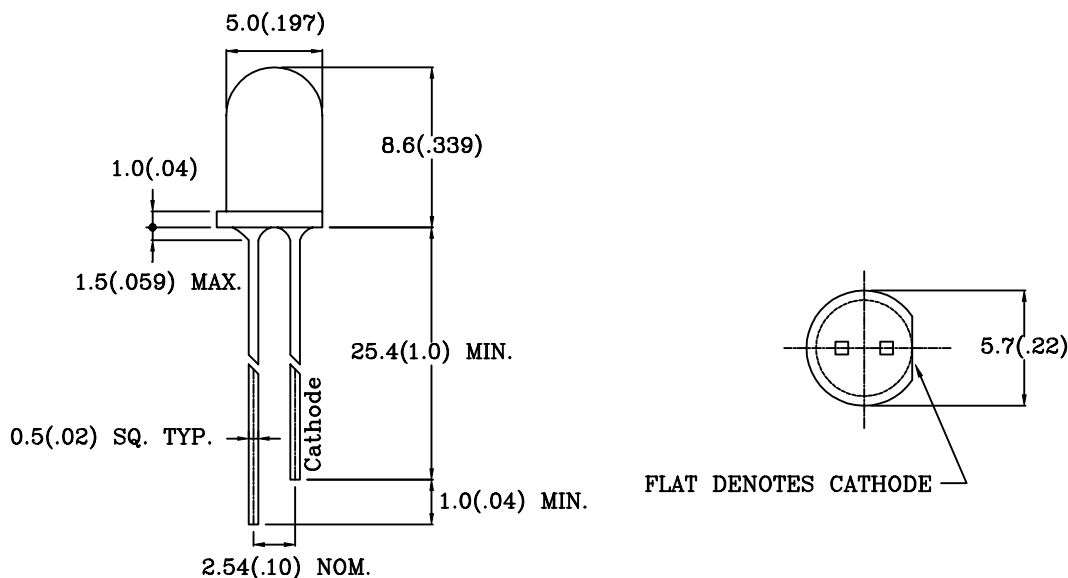
Chip		$\Delta \lambda$ (nm)	Lens Appearance	Forward Current		Pulse Rate (Hz) VDD=5V			Iv Typ. IF=25 mA (mcd)	Viewing Angle 2 θ 1/2 (deg)
Emitted Color	Peak Wave Length λP (nm)			Typ.	Max.	Min.	Typ.	Max.		
Super Red	660	20	Red Diffused	25	—	2.0	2.4	2.8	60.0	50

REMARK : Viewing angle is the Off-axis angle at which the luminous intensity is half the axial luminous intensity.

● ABSOLUTE MAXIMUM RATINGS (Ta=25°C)

- Operating Temperature Range 0°C ~ 70°C
- Storage Temperature Range -20°C ~ 85°C
- Operating Voltage (Max) 15 Volt
- Reverse Voltage (Max) 0.5 Volt

● PACKAGE DIMENSIONS



- NOTES: 1.All dimensions are in millimeters (inches).
 2.Tolerance is $\pm 0.25\text{mm}$ (0.01") unless otherwise specified.
 3.Lead spacing is measured where the leads emerge from the package.
 4.Specifications are subject to change without notice.

BRIGHT LED ELECTRONICS CORP.

BLINKING LED LAMP SPECIFICATION

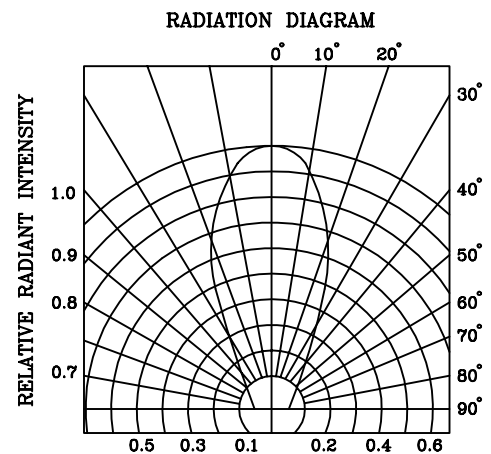
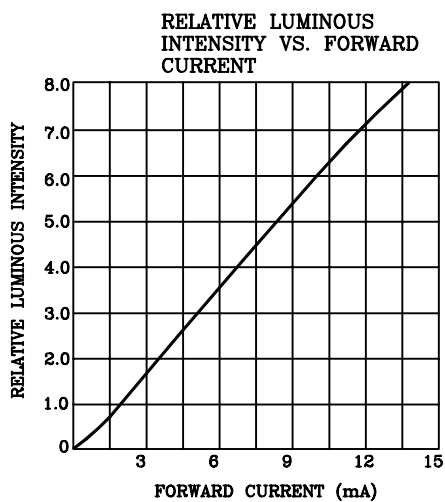
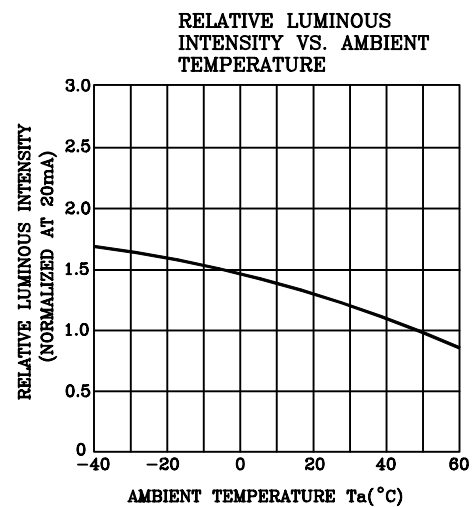
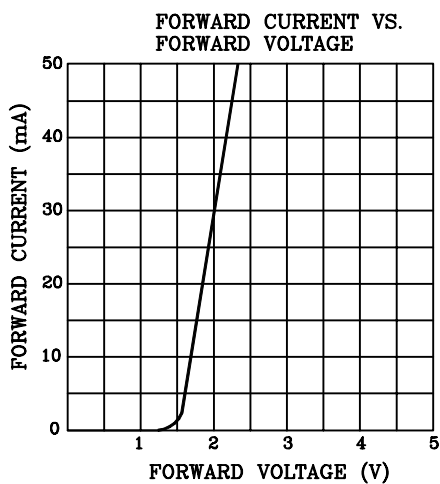
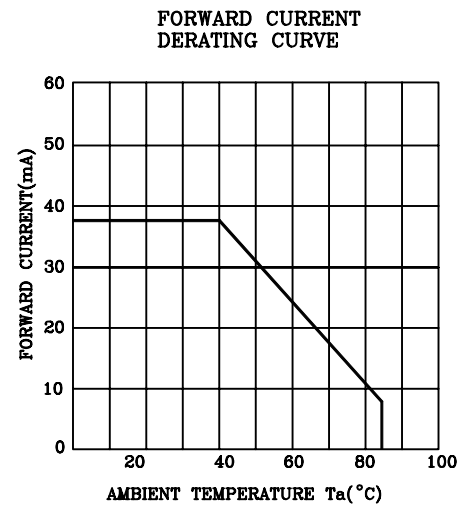
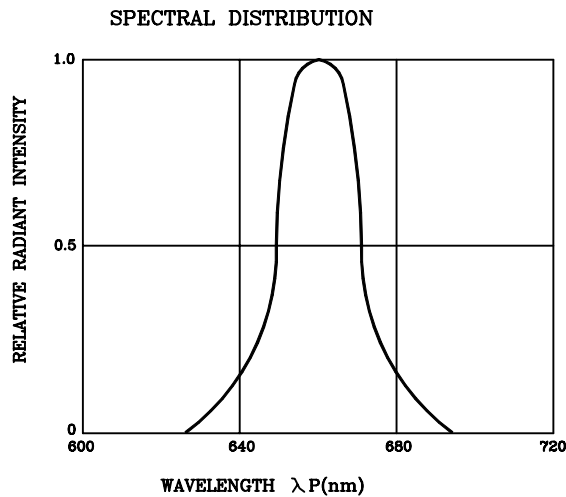
● COMMODITY:T-1 3/4 Standard 1.0"Lead,5 ϕ

● DEVICE NUMBER: BB-B6174

PAGE: 3

● ELECTRICAL AND OPTICAL CHARACTERISTICS(T_a=25°C)

REVISION: 1.0



BRIGHT LED ELECTRONICS CORP.

RELIABILITY TEST

PAGE: 4

REVISION: 1.0

Classification	Test Item	Reference Standard	Test Conditions	Result
Endurance Test	Operation Life	MIL-STD-750:1026 MIL-STD-883:1005 JIS C 7021 :B-1	Connect with a power V=10V Ta=Under room temperature Test time=1,000hrs	0/20
	High Temperature High Humidity Storage	MIL-STD-202:103B JIS C 7021 :B-11	Ta=+65°C±5°C RH=90%-95% Test time=1,000hrs	0/20
	High Temperature Storage	MIL-STD-883:1008 JIS C 7021 :B-10	High Ta=+85°C±5°C Test time=1,000hrs	0/20
	Low Temperature Storage	JIS-C-7021 :B-12	Low Ta=-35°C±5°C Test time=1,000hrs	0/20
Environmental Test	Temperature Cycling	MIL-STD-202:107D MIL-STD-750:1051 MIL-STD-883:1010 JIS C 7021 :A-4	-35°C ~ +25°C ~ +85°C ~ +25°C 60min 20min 60min 20min Test Time=5cycle	0/20
	Thermal Shock	MIL-STD-202:107D MIL-STD-750:1051 MIL-STD-883:1011	+85°C±5°C ~ -35°C±5°C 20min 20min Test Time=10cycle	0/20
	Solder Resistance	MIL-STD-202:201A MIL-STD-750:2031 JIS C 7021 :A-1	Preheating : 140°C -160°C ,within 2 minutes. Operation heating : 235°C (Max.),within 10 seconds.(Max.)	0/20

JUDGMENT CRITERIA OF FAILURE FOR THE RELIABILITY

Measuring items	Symbol	Measuring conditions	Judgement criteria for failure
Pulse Rate(Hz)	F (Hz)	V=10V	2.0-3.0Hz
Pulse Rate(Hz)	F (Hz)	V=5V	2.0-3.0Hz
Liminous intensity	IV (mcd)	V=10V	Below SX0.5

Note: 1.U means the upper limit of specific characteristics. S means initial value.

2.Measurement shall be taken between 2 hours and after the test pieces have been returned to normal ambient conditions after completion of each test.

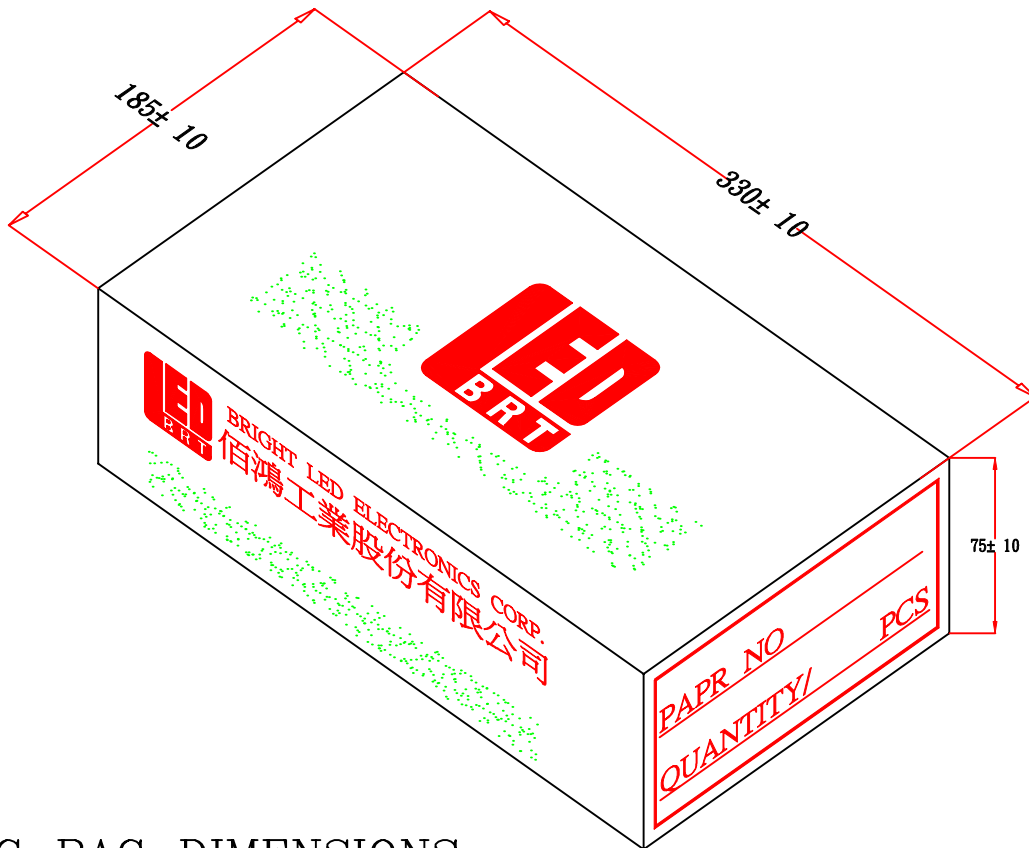
BRIGHT LED ELECTRONICS CORP.

PACKAGING DIMMENSIONS

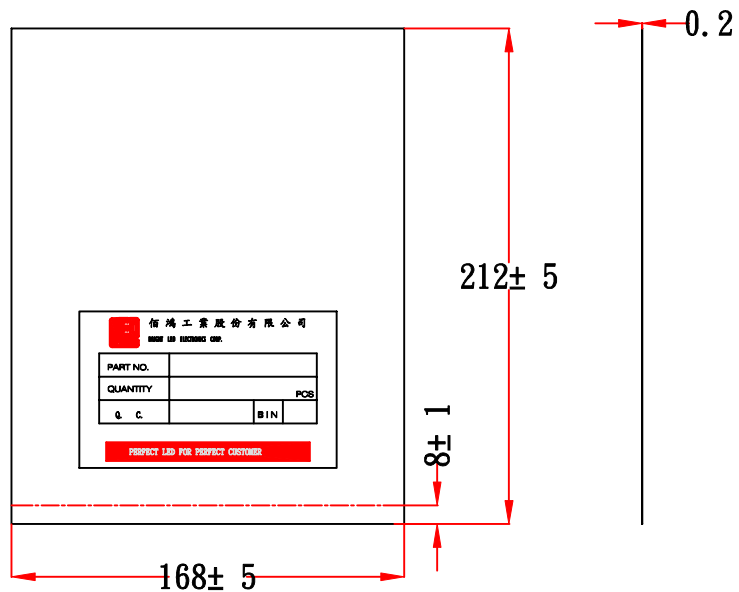
PAGE: 5

REVISION: 1.0

PACKAGING BOX DIMENSIONS



PACKAGING BAG DIMENSIONS



NOTES:

1. 500PCS PER BAG, 5K PCS PER BOX
2. ALL Dimensions are in millimeters(inches).
3. Specifications are subject to change without notice.