

BRIGHT LED ELECTRONICS CORP.

BLINKING LED LAMPS SPECIFICATION

TOTAL PAGE: 5
 PAGE: 1
 REVISION: 1.0

- COMMODITY : T-1 3/4 Standard 1.0" Lead 5 ϕ
- DEVICE NUMBER : BB-B3174

SHEET DATE	1	2	3	4	5							CONTENTS
2002.04.12	1.0	1.0	1.0	1.0	1.0							Initial Released

TOTAL PAGE	5														
------------	---	--	--	--	--	--	--	--	--	--	--	--	--	--	--

佰鴻工業股份有限公司
BRIGHT LED ELECTRONICS CORP.
 台北縣板橋市和平路 19 號 3 樓
 3F., No. 19, Ho Ping Road, Pan Chiao City,
 Taipei, Taiwan, R. O. C.
 Tel: 886-2-29591090
 Fax: 886-2-29547006/29558809
www.brtled.com

APPROVED	DRAWN

BRIGHT LED ELECTRONICS CORP.

BLINKING LED LAMP SPECIFICATION

●DEVICE NUMBER : BB-B3174

PAGE: 2

●FEATURES :

VERSION : 1.0

- Plastic case color diffused
- T-1 3/4 Standard 1.0"Lead, 5 ϕ
- 1/4 Duty Cycle
- Pulse Rate 2.4 Hz (VDD=5V)
- Operating Voltage : 3.5V~15V (DC)
- Easily be driven by TTL & C-MOS circuit no external circuit needed

●ELECTRICAL AND OPTICAL CHARACTERISTICS (Ta=25°C)

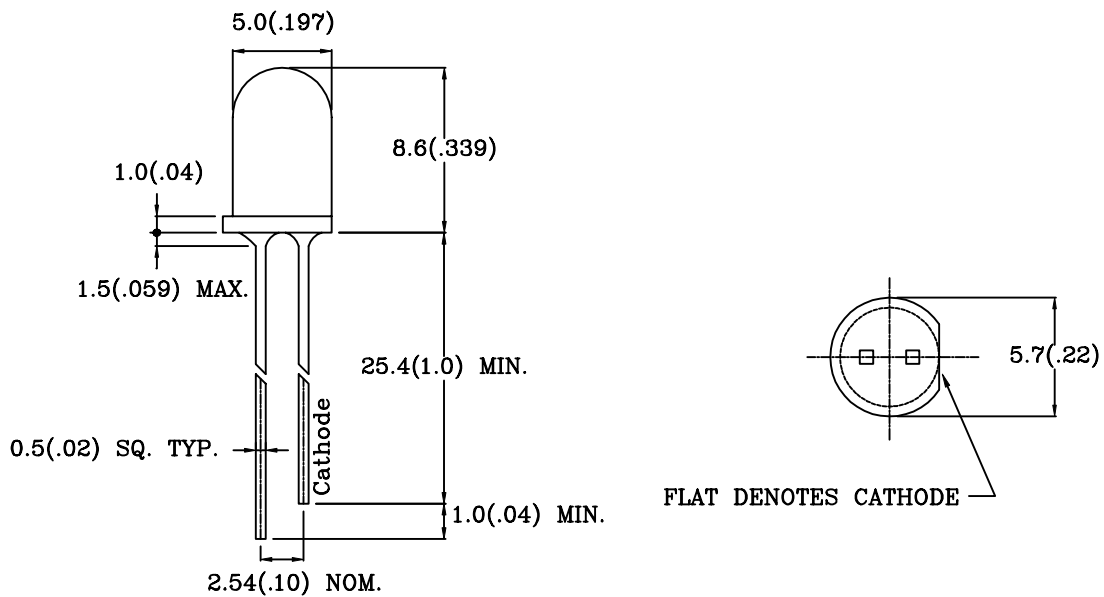
Chip		$\Delta \lambda$ (nm)	Lens Appearance	Forward Current		Pulse Rate (Hz) VDD=5V			Iv Typ. IF=25 mA (mcd)	Viewing Angle 2 θ 1/2 (deg)
Emitted Color	Peak Wave Length λP (nm)			Typ.	Max.	Min.	Typ.	Max.		
Yellow	585	35	Yellow Diffused	25	—	2.0	2.4	2.8	35.0	45

REMARK : Viewing angle is the Off-axis angle at which the luminous intensity is half the axial luminous intensity.

●ABSOLUTE MAXIMUM RATINGS (Ta=25°C)

- Operating Temperature Range 0°C ~ 70°C
- Storage Temperature Range -20°C ~ 85°C
- Operating Voltage (Max) 15 Volt
- Reverse Voltage (Max)5 Volt

●PACKAGE DIMENSIONS



- NOTES: 1.All dimensions are in millimeters (inches).
 2.Tolerance is ± 0.25 mm (0.01") unless otherwise specified.
 3.Lead spacing is measured where the leads emerge from the package.
 4.Specifications are subject to change without notice.

BRIGHT LED ELECTRONICS CORP.

LED LAMPS SPECIFICATION

●COMMODITY:T-1 3/4 Standard 1.0" Lead ,5ø

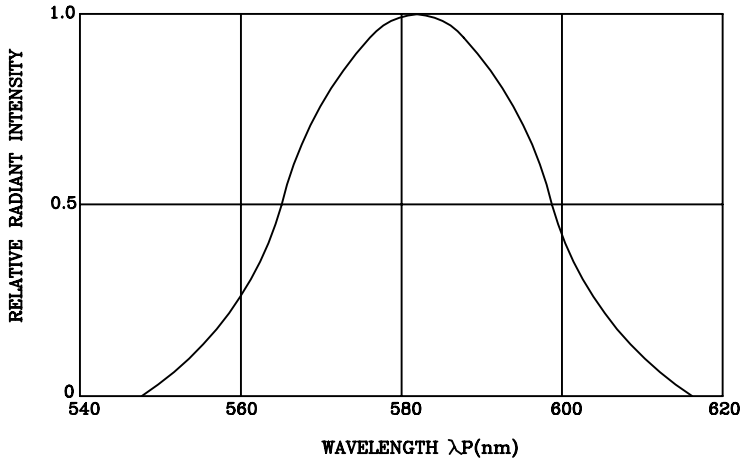
●DEVICE NUMBER: BB-B3174

PAGE: 3

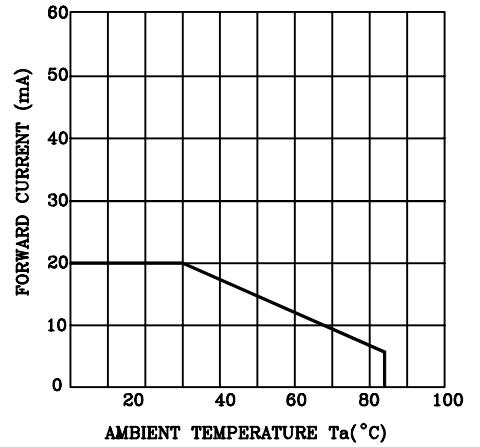
●ELECTRICAL AND OPTICAL CHARACTERISTICS(Ta=25°C)

REVISION: 1.0

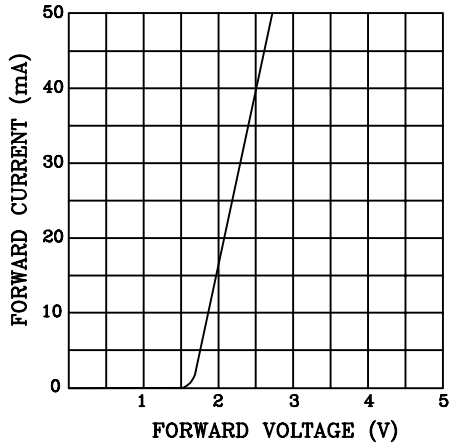
SPECTRAL DISTRIBUTION



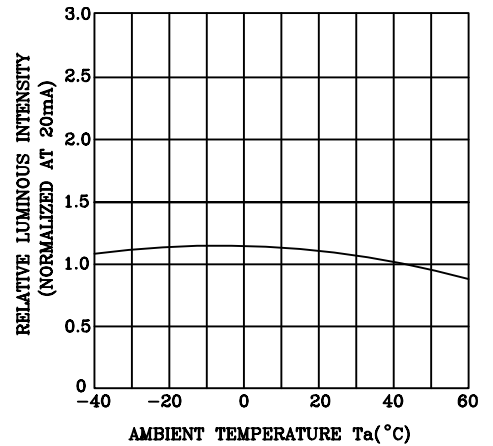
FORWARD CURRENT DERATING CURVE



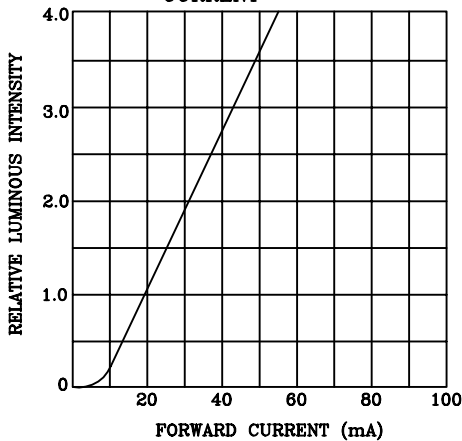
FORWARD CURRENT VS. FORWARD VOLTAGE



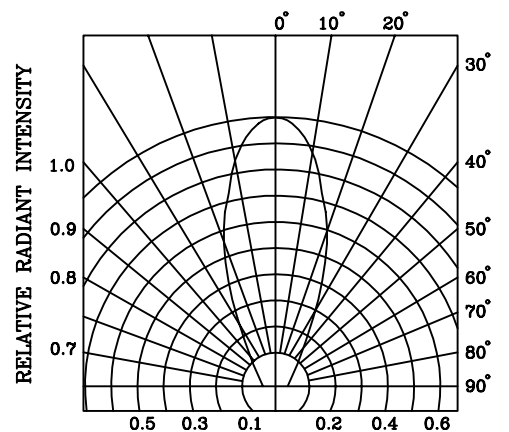
RELATIVE LUMINOUS INTENSITY VS. AMBIENT TEMPERATURE



RELATIVE LUMINOUS INTENSITY VS. FORWARD CURRENT



RADIATION DIAGRAM



BRIGHT LED ELECTRONICS CORP.

RELIABILITY TEST

PAGE: 4

REVISION: 1.0

Classification	Test Item	Reference Standard	Test Conditions	Result
Endurance Test	Operation Life	MIL-STD-750:1026 MIL-STD-883:1005 JIS C 7021 :B-1	Connect with a power V=10V Ta=Under room temperature Test time=1,000hrs	0/20
	High Temperature High Humidity Storage	MIL-STD-202:103B JIS C 7021 :B-11	Ta=+65°C±5°C RH=90%-95% Test time=1,000hrs	0/20
	High Temperature Storage	MIL-STD-883:1008 JIS C 7021 :B-10	High Ta=+85°C±5°C Test time=1,000hrs	0/20
	Low Temperature Storage	JIS-C-7021 :B-12	Low Ta=-35°C±5°C Test time=1,000hrs	0/20
Environmental Test	Temperature Cycling	MIL-STD-202:107D MIL-STD-750:1051 MIL-STD-883:1010 JIS C 7021 :A-4	-35°C ~ +25°C ~ +85°C ~ +25°C 60min 20min 60min 20min Test Time=5cycle	0/20
	Thermal Shock	MIL-STD-202:107D MIL-STD-750:1051 MIL-STD-883:1011	+85°C±5°C ~ -35°C±5°C 20min 20min Test Time=10cycle	0/20
	Solder Resistance	MIL-STD-202:201A MIL-STD-750:2031 JIS C 7021 :A-1	Preheating : 140°C -160°C ,within 2 minutes. Operation heating : 235°C (Max.),within 10 seconds.(Max.)	0/20

JUDGMENT CRITERIA OF FAILURE FOR THE RELIABILITY

Measuring items	Symbol	Measuring conditions	Judgement criteria for failure
Pulse Rate(Hz)	F (Hz)	V=10V	2.0-3.0Hz
Pulse Rate(Hz)	F (Hz)	V=5V	2.0-3.0Hz
Liminous intensity	IV (mcd)	V=10V	Below SX0.5

Note: 1.U means the upper limit of specific characteristics. S means initial value.

2.Measurement shall be taken between 2 hours and after the test pieces have been returned to normal ambient conditions after completion of each test.

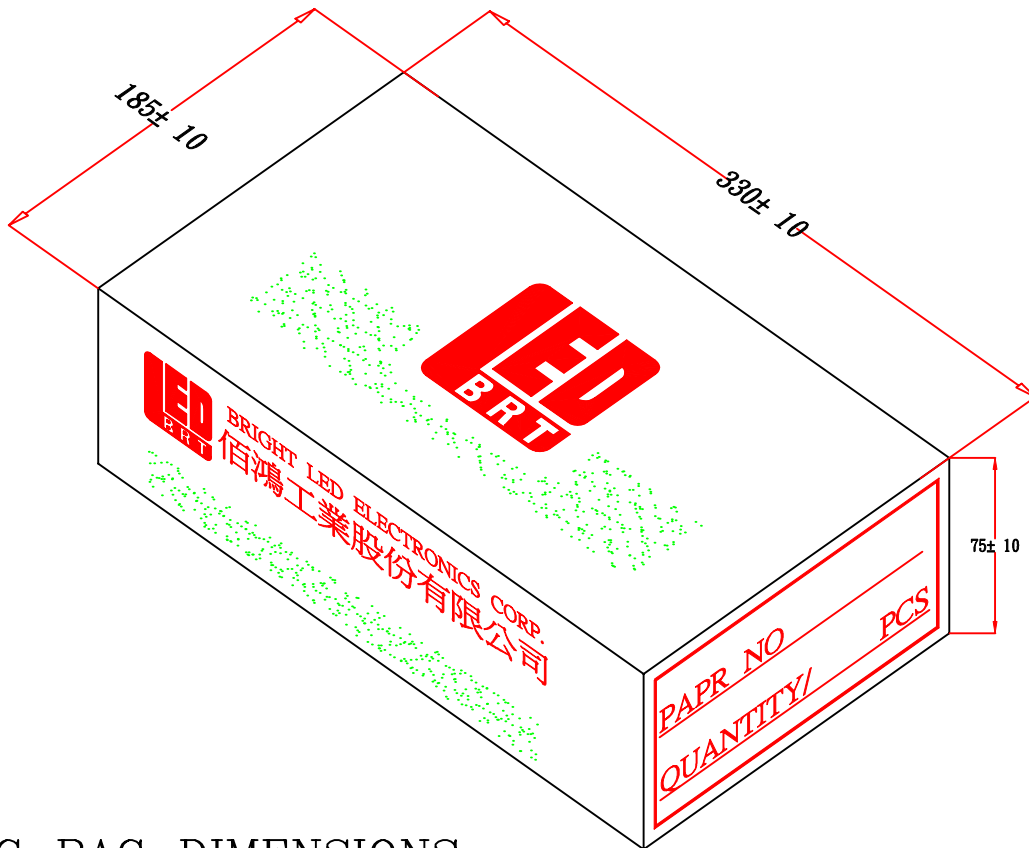
BRIGHT LED ELECTRONICS CORP.

PACKAGING DIMMENSIONS

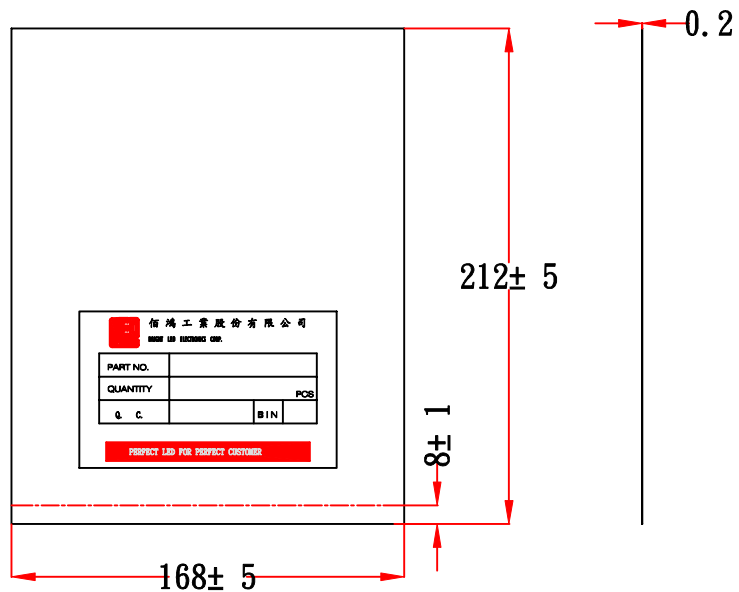
PAGE: 5

REVISION: 1.0

PACKAGING BOX DIMENSIONS



PACKAGING BAG DIMENSIONS



NOTES:

1. 500PCS PER BAG, 5K PCS PER BOX
2. ALL Dimensions are in millimeters(inches).
3. Specifications are subject to change without notice.