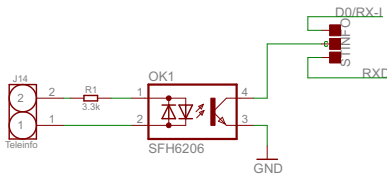
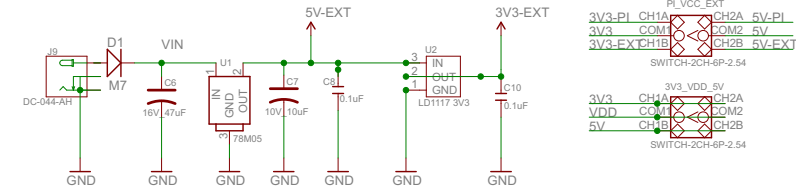


Teleinformation

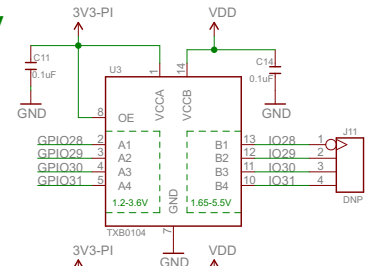
Send to Pi or Arduino



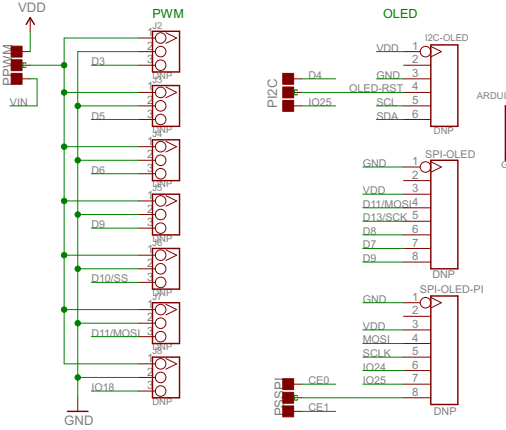
Power



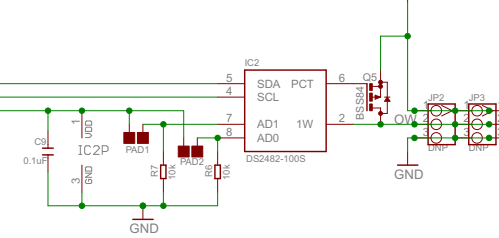
Raspberry I/O Level Shifter



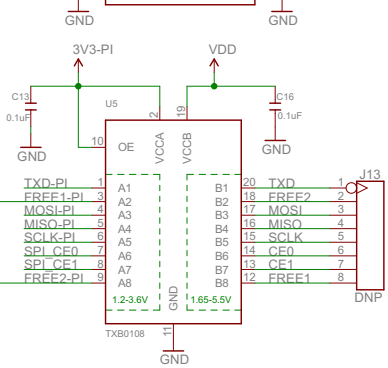
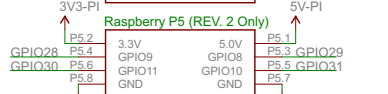
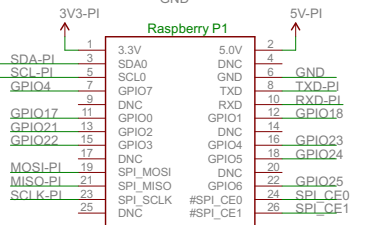
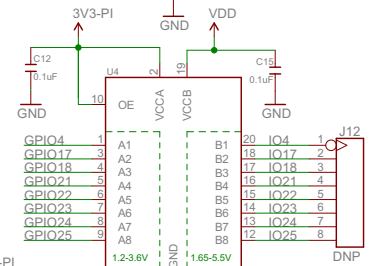
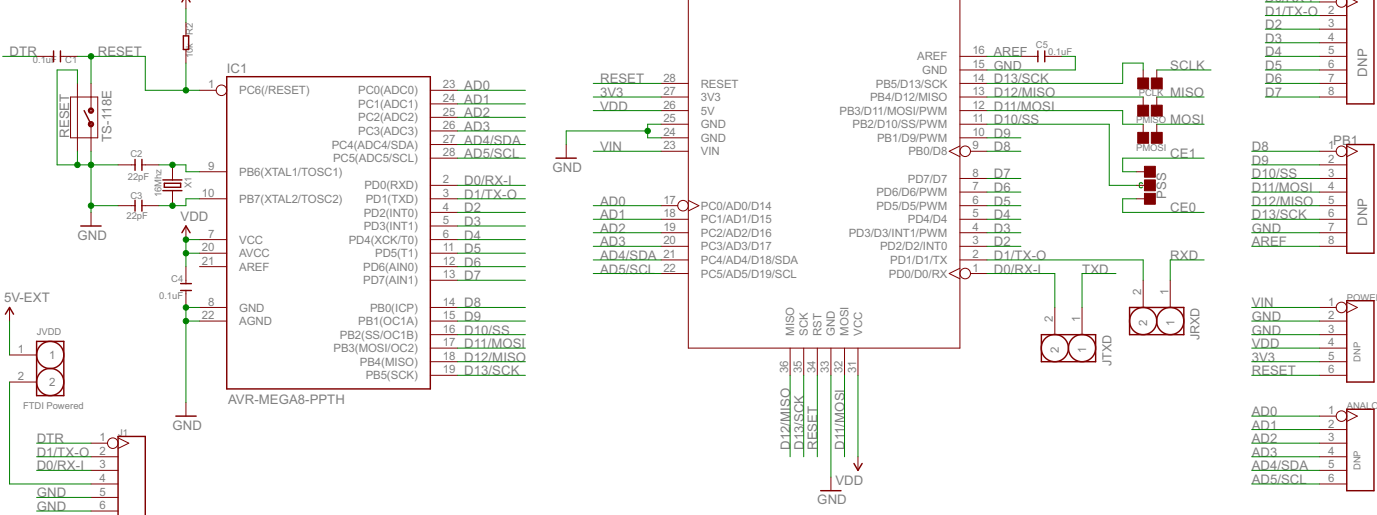
Connectors



One Wire



Arduino



Title: ArduiPi	
Version:	
28/06/2013 11:08:47	
Drawn By: Charles-Henri Hallard	1 / 1