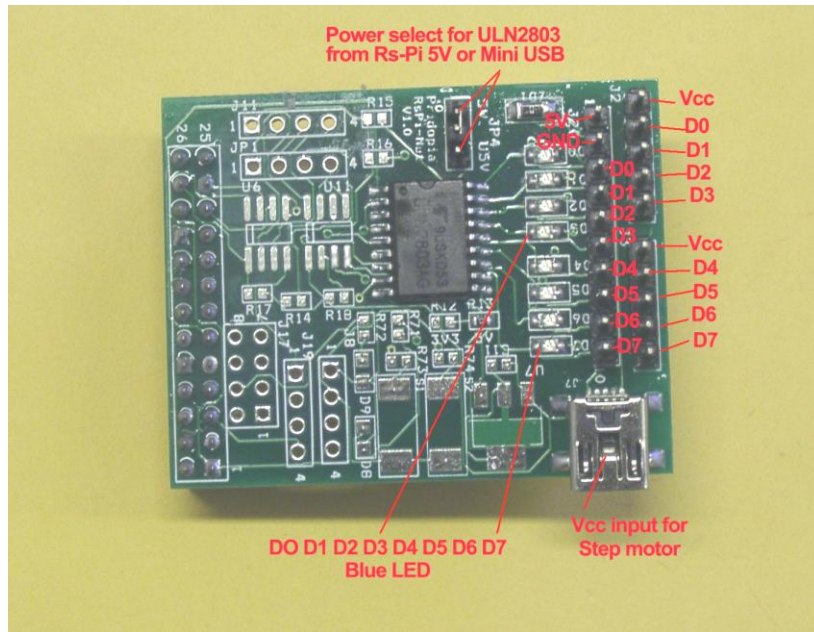


RsPi-ULN2803 Step Motor Board User Manual

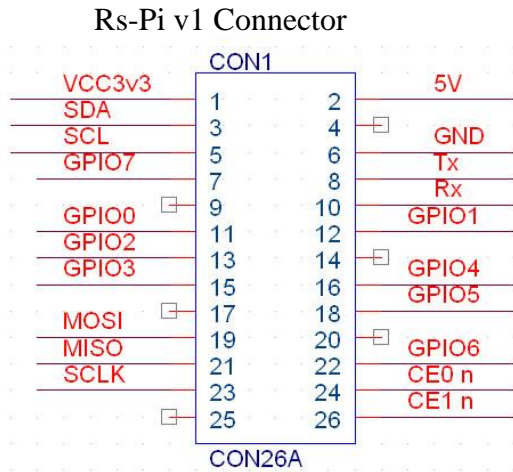
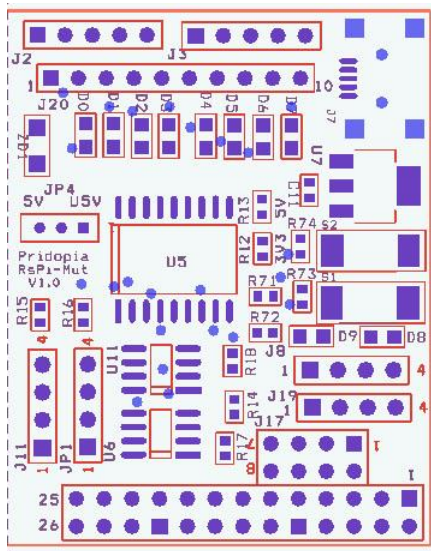


- J2 J3 Step motor connector J2 (5V,D0,D1,D2,D3) J3(5V,D4,D5,D6,D7) can use Step motor (28BYJ-48 5VDC)
 - J20 pin1 – pin10 +5V,GND, D0, D1,D2,D3,D4,D5,D6,D7 OUTPUT
 - U5 **ULN2803** 8 darlington transistor array
 - J17 RS-Pi-V2 GPIO output S1, S2 D8,D9 output from V2 GPIO
 - JP4 choose 5V input from Mini USB Port J7 or RS-Pi 5V
 - J7 Mini USB 5V input
- U5 **ULN2803** use RS-Pi pin 11,12,13,15,16,18,22,7 as GPIO 0 to GPIO 7 input

For test program if you need driver you can download from our web site

- 1 Step motor 1step.py
- 2 Step Motor 2step.py

<http://www.pridopia.co.uk/pi-2803-sp.html>



Package Content

- 1x Rs-Pi ULN2803 Step Motor board
- 1x Manual