

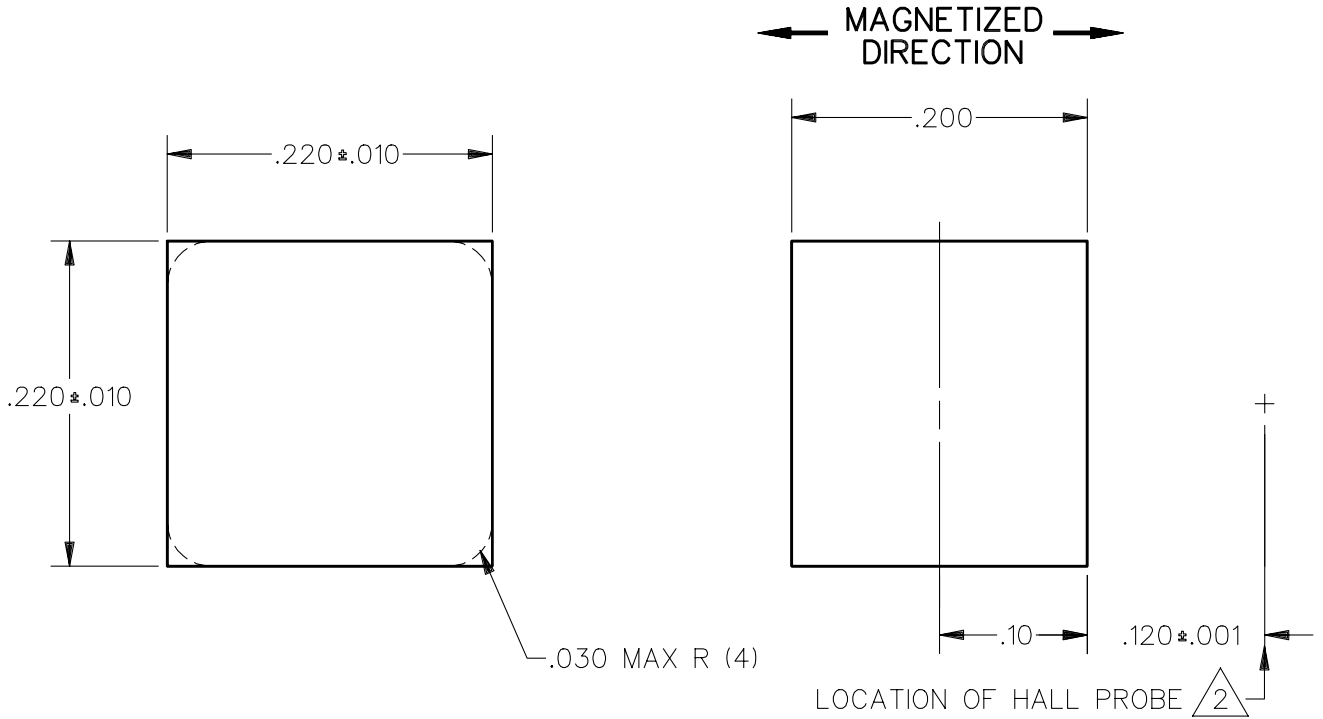
MICRO SWITCH
a Honeywell Division

FED. MFG. CODE 91929

MAGNET

CATALOG LISTING
103MG8

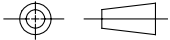
THIS DRAWING COVERS A PROPRIETARY ITEM AND IS THE PROPERTY OF MICRO SWITCH, A DIVISION OF HONEYWELL. THIS DRAWING IS NOT TO BE COPIED OR USED WITHOUT THE APPROVAL OF MICRO SWITCH.



NOTES

- 1 THE MAGNET IS RARE EARTH MAGNETIZED AND CONDITIONED FOR OPERATION
- 2 READING IN GAUSS WITH F.W. BELL 620 GAUSS METER AND PROBE STJ4-0402 AT $.120 \pm .001$ INCHES FROM SOUTH POLE AT TEMPERATURE OF $25 \pm 1^\circ\text{C}$ SHALL BE 690 GAUSS MIN
- 3 POLES NOT MARKED

THIRD ANGLE PROJECTION



SCALE 8 : 1

DO NOT SCALE PRINT

UNLESS OTHERWISE SPECIFIED TOLERANCES ARE

ONE PLACE (.0)	$\pm .030$
TWO PLACE (.00)	$\pm .015$
THREE PLACE (.000)	$\pm .005$
ANGLES	\pm

WEIGHT

DDM/CAD
 DRAWN
 TMM 19 MAY 89
 CHECK
 KAG 23 MAY 89
 CHECK
 REVISIONS
 A C068107
 JAS
 9 AUG 90
 B C069993
 JAS
 7 AUG 91
 ISSUE
 3
 DRAWING NUMBER
 M 103MG8
 RELEASE NO. PR-17321
 REPLACES X90748-MG