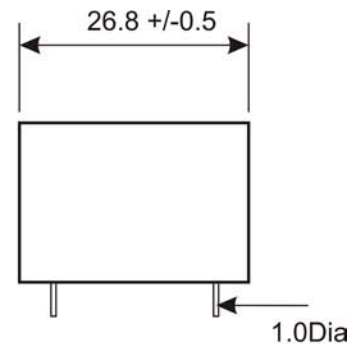
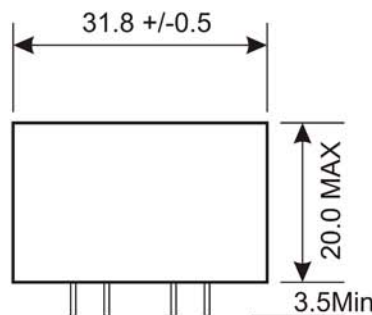
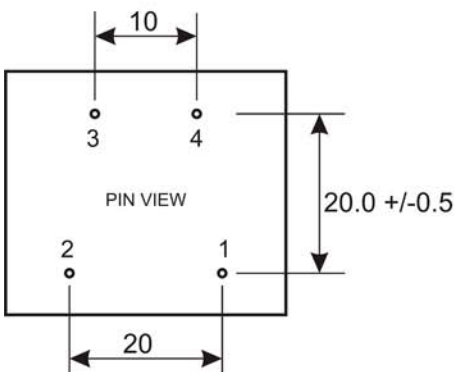




### Features:

- 5W Single Output
- Output Range: 3.3V~24VDC
- Input: 90 ~ 265VAC , 47~63Hz (100~370VDC)
- Low Standby Power <0.15w
- Low Ripple & Noise
- Encapsulated Design
- Fully Isolated Pri ~ Sec >4000Vrms
- Materials: UL94-V0
- Safety: EN61558, EN60950, CE, TUV

Part No	Power Rating Watts	Output Voltage (Vdc)	Output Current (mA)	Ambient Temp. (°C)	Efficiency Typical	Input Range
VTX-214-005-103	4.2	3.3	1500	50	>70%	90~265VAC (100~370VDC)
VTX-214-005-105	5	5	1000			
VTX-214-005-106	5	6	833			
VTX-214-005-107	5	7.5	666			
VTX-214-005-108	5	8	625			
VTX-214-005-109	5	9	555			
VTX-214-005-110	5	10	500			
VTX-214-005-112	5	12	416			
VTX-214-005-115	5	15	333			
VTX-214-005-118	5	18	277			
VTX-214-005-124	5	24	208			



Pins 1&2: AC/DC Input  
Pin 3: Output DC +V  
Pin 4: Output DC 0V

Unit weight: 30g

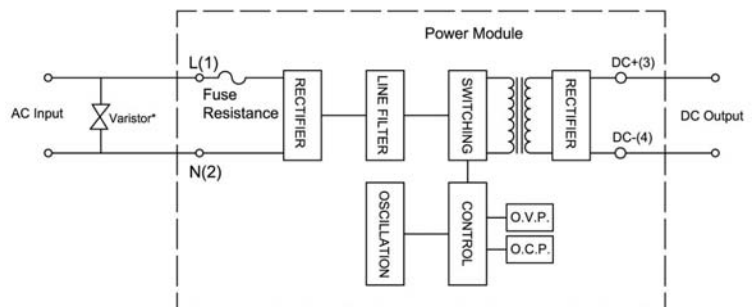
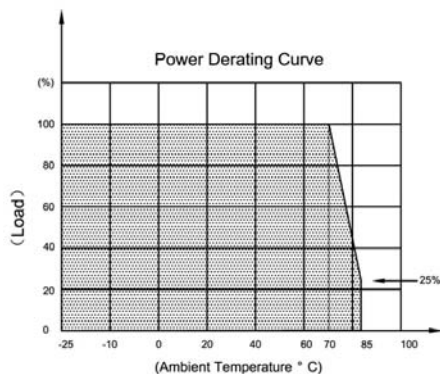
Please contact Vigortronix for any enquiries. Products can be altered to suit custom requirements.  
The information contained in this document is subject to change without notice.

Vigortronix, 16 De Havilland Way, Witney, Oxfordshire, OX29 0YG, UK

Tel. +44 (0)1993 777570 Fax. +44 (0)1993 777580 Web. www.vigortronix.com E-mail: sales@vigortronix.com

Vigortronix is a trading name of Vigortronix (UK) Limited

Model: 5Watt		Specification
<b>INPUT</b> Pin 1: L Pin 2: N	Voltage Range	90 ~ 265VAC / 47 ~ 63Hz (100VDC ~ 370VDC)
	Current	100mA Max (100VAC) / 70mA Max (240VAC)
	Inrush Current	15A Max (100VAC) / 25A Max (240VAC)
	No Load power Losses	0.15W Max
	Leakage Current	0.25mA Max
<b>OUTPUT</b> Pin 3: DC+ Pin 4: DC-	Voltage Accuracy	2%
	Ripple	<50mV Max (Vp-p)
	Noise	<2% Vout Max (Vp-p)
	Efficiency	>70%
	Protection	Over Power, Over Voltage & Short Circuit Protection
<b>Insulation</b>	Input to Output	3600Vrms, 5mA 1 Min (4200VAC 2sec)
<b>Environment</b>	Operating Temperature	-40°C ~ +70°C (Full Load)
	Storage Temperature	-40°C ~ +105°C
	Weight	30g
	<b>MTBF</b>	>300,000Hrs @ 25°C (MIL-HDBK-217F)
<b>Safety</b>	Agency Approval	EN60950-1, EN61558-1, EN61558-2-6, EN61558-2-17
<b>EMC</b>	EMI	Compliance with EN55022 Class B
	EMS	Compliance with EN55024, EN55014-1, EN55014-2, EN61000-3-2 Class A, EN61000-3-3



Please contact Vigortronix for any enquiries. Products can be altered to suit custom requirements.  
The information contained in this document is subject to change without notice.

Vigortronix, 16 De Havilland Way, Witney, Oxfordshire, OX29 0YG, UK

Tel. +44 (0)1993 777570 Fax. +44 (0)1993 777580 Web. www.vigortronix.com E-mail: sales@vigortronix.com

Vigortronix is a trading name of Vigortronix (UK) Limited