

1 2 3 4 5 6 7 8 9 10 11 12 13 14

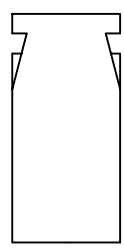
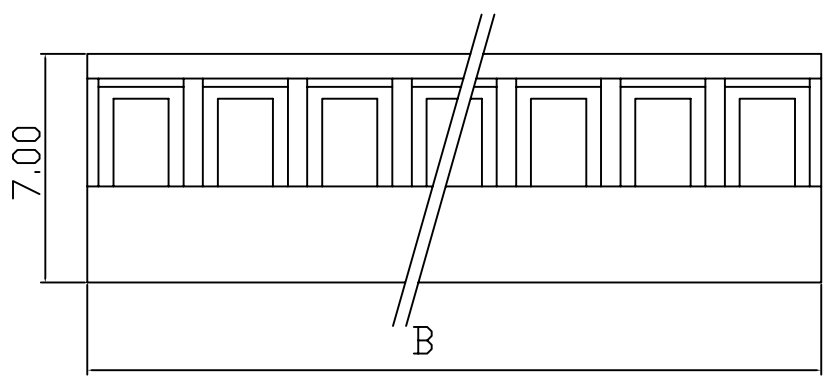
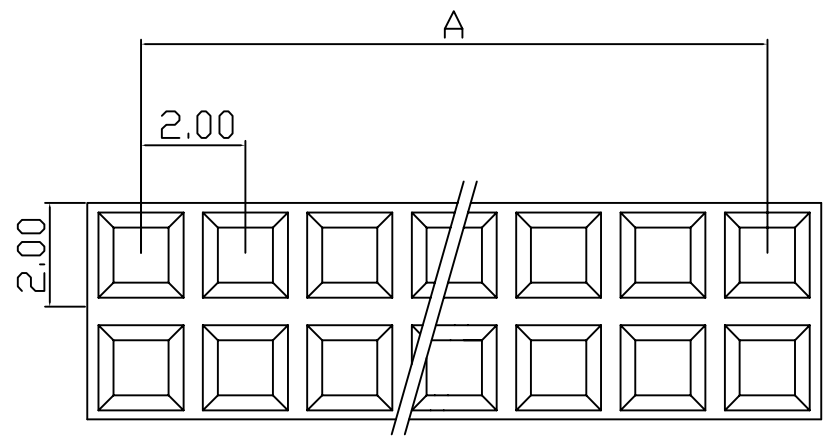
A B C D E F G H I J

SPECIFICATIONS

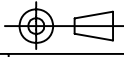
- Voltage Rating : 250V AC/DC
- Current Rating : 3A AC/DC
- Withstanding Voltage : 800V AC/minute
- Insulation Resistance : 1000MΩ min
- Temperature Range : - 25°C to + 85°C
- Contact Resistance : 20 mΩ max

HOUSING

- Part No. : 200G3-2HXX
- Poles: 4-50
- Material : NYLON 66UL94-V2 BLACK



POLES	PART NO.	DIMENSIONS(mm)		POLES	PART NO.	DIMENSIONS(mm)	
		A	B			A	B
2	200G3-2H02	2.00	4.00	22	200G3-2H22	42.00	44.00
3	200G3-2H03	4.00	6.00	23	200G3-2H23	44.00	46.00
4	200G3-2H04	6.00	8.00	24	200G3-2H24	46.00	48.00
5	200G3-2H05	8.00	10.00	25	200G3-2H25	48.00	50.00
6	200G3-2H06	10.00	12.00	26	200G3-2H26	50.00	52.00
7	200G3-2H07	12.00	14.00	27	200G3-2H27	52.00	54.00
8	200G3-2H08	14.00	16.00	28	200G3-2H28	54.00	56.00
9	200G3-2H09	16.00	18.00	29	200G3-2H29	56.00	58.00
10	200G3-2H10	18.00	20.00	30	200G3-2H30	58.00	60.00
11	200G3-2H11	20.00	22.00	31	200G3-2H31	60.00	62.00
12	200G3-2H12	22.00	24.00	32	200G3-2H32	62.00	64.00
13	200G3-2H13	24.00	26.00	33	200G3-2H33	64.00	66.00
14	200G3-2H14	26.00	28.00	34	200G3-2H34	66.00	68.00
15	200G3-2H15	28.00	30.00	35	200G3-2H35	68.00	70.00
16	200G3-2H16	30.00	32.00	36	200G3-2H36	70.00	72.00
17	200G3-2H17	32.00	34.00	37	200G3-2H37	72.00	74.00
18	200G3-2H18	34.00	36.00	38	200G3-2H38	74.00	76.00
19	200G3-2H19	36.00	38.00	39	200G3-2H39	76.00	78.00
20	200G3-2H20	38.00	40.00	40	200G3-2H40	78.00	80.00
21	200G3-2H21	42.00	44.00				

Rev	Description/Date	Drawn By: Storm.li	Customer:	Third angle projection 		Units: mm	X.± .X±0.30 .XX±0.20 .XXX±0.10
△		Checked By: Simmon	Part No.: 200G3-2HXX	General Dimension Tolerance			
△		Approved By: Tony	Title: 2.00mm pitch Housing				
SGS Report No.:							

1 2 3 4 5 6 7 8 9 10 11 12 13 14