
Code Hopping Decoder Using a PIC16C56

<p><i>Author: Steven Dawson Microchip Technology Inc.</i></p>

OVERVIEW

This application note fully describes the working of a code hopping decoder implemented on a Microchip PIC16C56 microcontroller. Background is given on the various KEELOQ[®] code hopping encoders that can be used with the decoder, the decoder hardware described, and descriptions of the various software modules comprising the system. The software can be used to implement a stand-alone decoder or integrated with full function security systems. The decoder supports the Microchip HCS200, HCS201, HCS300, HCS301, HCS360, HCS361 and HCS410 KEELOQ Code Hopping Encoders.

KEY FEATURES

- Stand-alone decoder
- Compatible with Microchip HCS200, HCS201, HCS300, HCS301, HCS360, HCS361 and HCS410 encoders
- Automatic baud rate detection
- Automatic encoder type detection
- Four function outputs
- Six learnable transmitters
- RC Oscillator

Notice:

This is a non-restricted version of Application Note AN642 which is available under the KEELOQ License Agreement. The license agreement can be ordered from the Microchip Literature Center as DS40149.

INTRODUCTION TO KEELOQ ENCODERS

All KEELOQ encoders use the KEELOQ code hopping technology to make each transmission by an encoder unique. The encoder transmissions have two parts. The first part changes each time the encoder is activated and is called the hopping code part. The second part is the serial number of the encoder, identifying it to a decoder.

Hopping Code

The Hopping Code contains function information, a discrimination value, and a synchronization counter. This information is encrypted by an encryption algorithm before being transmitted. A 64-bit encryption key is used by the encryption algorithm. If one bit in the data that is encrypted changes, the result is that an average of half the bits in the output will change. As a result, the hopping code changes dramatically for each transmission and can not be predicted.

Function Information

The encoder transmits up to four bits of function information. Up to 15 different functions are available (0000 is related to the reset condition in all the current encoders, and can never be transmitted).

Discrimination Value

Stored in the encoder EEPROM, this information is used to check integrity of decryption operation in the decoder. If known information is inserted into the transmitted string before encryption, the same information can be used at the decoder to check whether the information has been decrypted correctly. In the Microchip HCS encoders, up to 12 bits (including overflow bits) are available.

Synchronization Counters

The transmitted word contains a 16-bit synchronization counter. The synchronization information is used at the decoder to determine whether a transmission is valid, or a repetition of a previous transmission. Previous codes are rejected to safeguard against code grabbers. The HCS300/301 encoder transmits two overflow bits which may be used to extend the range of the synchronization counter from 65,536 to 196,608 button operations.

Fixed Code

Serial Number

The encoder's serial number is transmitted every time the button is pressed. The serial number is transmitted unencrypted as part of the transmission, and serves to identify the encoder to the decoder. The number can be used during learning operations to calculate the key to be used for decrypting the transmissions.

Other Status and Function Information

The HCS300/301 encoders include provision for four bits of function information and two status bits in the fixed code portion of its transmission. The two status bits indicate whether a repeated transmission is being sent, and whether the battery voltage is low. The HCS200/201 does not send repeated transmission information and the bit is permanently set to '0'.

Transmission Format

Table 1 contains a summary of the information contained in transmissions from each of the KEELOQ encoders that can be learned by the Microchip decoder.

FIGURE 1: BLOCK DIAGRAM

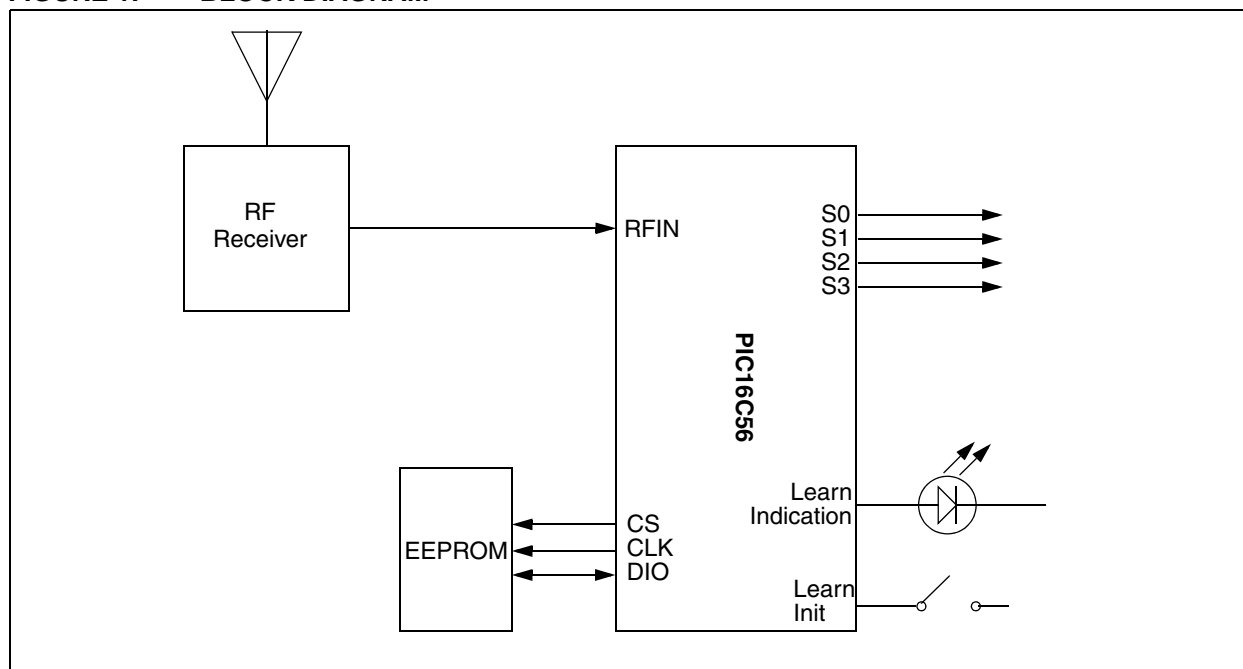


TABLE 1: KEELOQ® ENCODER TRANSMISSION SUMMARY

	HCS200/201 # of bits	HCS300/301 # of bits	HCS360/361 # of bits	HCS410 # of bits
Total Transmission Length	66	66	67	69
Code Hopping Portion	32	32	32	32
Sync Counter	16	16	16	16
Discrimination bits	12	10	8	10
User Bits	0	0	2	0
Overflow Bits	0	2	1	2
Independent Mode	0	0	1	0
Function Code	4	4	4	4
Fixed Portion	34	34	35	37
Serial number	28	28	28/32	28/32
Function Code	4	4	4/0	4/0
Low Voltage Indicator	1	1	1	1
Repeat Bit	1	1	0	0
CRC	0	0	2	2
Queue Bits	0	0	0	2

TABLE 2: HCS200/201 AND HCS300/301 CODE HOPPING TRANSMISSION FORMAT

Code Hopping Portion			Fixed Portion		
Sync Counter	Discrimination	Func	Serial Number	Func	VLOW REPT

TABLE 3: HCS200/201 AND HCS300/301 SEED TRANSMISSION FORMAT

Seed Portion	Fixed Portion		
Seed	Serial Number	Func	VLOW REPT

TABLE 4: HCS360/361 CODE HOPPING TRANSMISSION FORMAT

Code Hopping Portion			Fixed Portion		
Sync Counter	Discrimination OVR, IND	Func	Serial Number (28/32 bits)	Func (4/0 bits)	VLOW REPT

TABLE 5: HCS360/361 SEED TRANSMISSION FORMAT

Seed Portion	Fixed Portion		
Seed (48 bits)	Serial Number (12/16 MS bits)	Func (4/0 bits)	VLOW REPT

TABLE 6: HCS410 CODE HOPPING TRANSMISSION FORMAT

Code Hopping Portion			Fixed Portion		
Sync Counter	Discrimination OVR	Func	Serial Number (28/32 bits)	Func (4/0 bits)	VLOW CRC QUE

TABLE 7: HCS410 SEED TRANSMISSION FORMAT

Seed Portion	Fixed Portion	
Seed (60 bits)	Func (4/0 bits)	VLOW CRC QUE

PWM Format

In general, all KEELOQ encoders share a common transmission format.

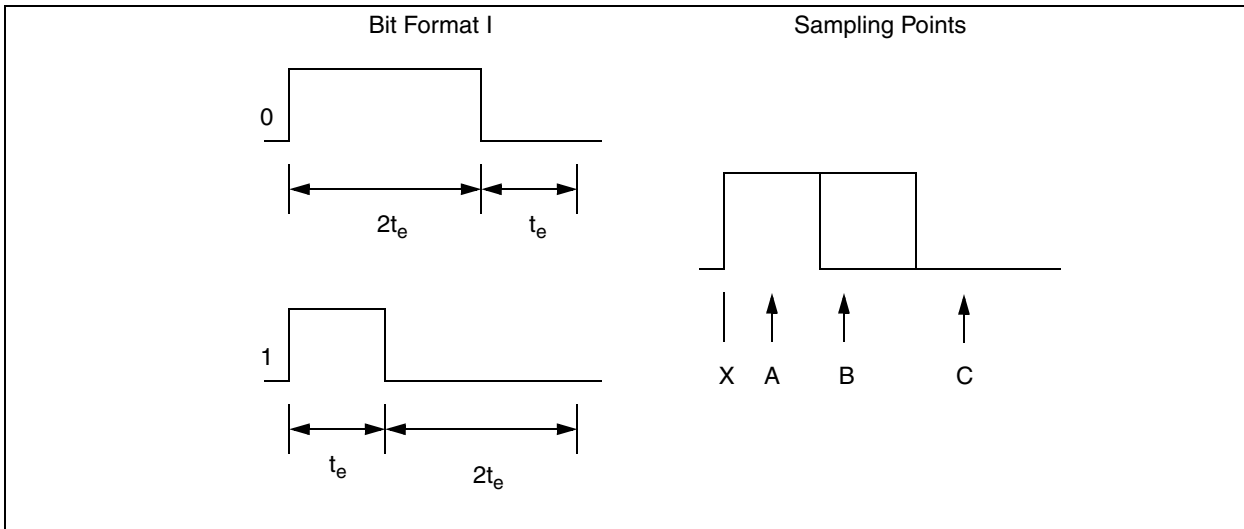
- A preamble to improve biasing of decision thresholds in super-regenerative receivers. The preamble consists of alternate on and off periods, each lasting as long as a single elemental period.
- A calibration header, consisting of a low period of 10 elemental periods. Calibration actions should be performed on the low period of the header to ensure correct operation with header chopping.
- A string of 66 pulse width modulated bits, each consisting of three elements. The first element is high, the second contains the data transmitted and is either high or low, the third element is always low.
- A guard period is usually left between the transmissions. During this period nothing is transmitted by the encoder.

Figure 2 shows the sampling points when sampling data. The first and last elements are used exclusively to verify the integrity of the received signal. The first element (sample point A) is always high, the second (sample point B) is the complement of the data bit being sent, and the final element (sample point C) is always low. Because the period between the low portion of a bit (sample point C) and the rising edge of the following bit (sample point X) can vary somewhat, the rising edge of the first element (sample point X) is used to resynchronize the receiving routine to each incoming bit.

If random noise is being received, the probability of a set of three samples producing a valid combination is only $2^{-2} = 1/4$. For a string of 56 bits, the corresponding figure is 2^{-134} . For longer strings, the probability is considerably less.

Integrity checking on incoming signals is important. Code hopping signals require significant processing, as well as EEPROM access, to decrypt. Unnecessary processing can be avoided by not attempting to decrypt incoming codes that have bit errors.

FIGURE 2: KEELOQ® PWM TRANSMISSION FORMAT



IMPLEMENTATION

The Microchip decoder's primary hardware components are a PIC16C56 RISC microcontroller and a 93LC46B EEPROM. However, this solution can be implemented in any PIC® microcontroller with at least 1K words of programming. The operating frequency of the controller is 4 MHz. The microcontroller is used to capture transmissions from the various encoders, decrypt transmissions captured, and check the validity of the transmission based on the information in the decrypted transmission and information stored in the EEPROM. If a transmission from a valid encoder is received, the Microchip decoder activates the outputs dictated by the transmission.

Encoder information, such as serial number, synchronization information, and decryption key are stored externally in an EEPROM. The EEPROM used is a Microchip 93LC46B CMOS serial EEPROM. The information stored in the EEPROM is encrypted to protect the decoders from cloning. The EEPROM encryption is less secure than the KEELOQ code hopping algorithm.

A more secure implementation of the decoder would be to modify the software in the application note and use a PIC16CXX with an internal EEPROM such as a PIC16C84. In this way communication between the PIC16C56 and EEPROM cannot be monitored.

As can be seen from the section on encoder transmissions there are differences in the transmission formats of the different encoders that are compatible with the system. The following section summarizes how the differences in transmitted data are dealt with by the decoder.

As the **serial number** information follows after the code hopping portion of the transmission, any number of serial number bits can be received and processed. In the Microchip decoder described 28 bits of the serial number are stored.

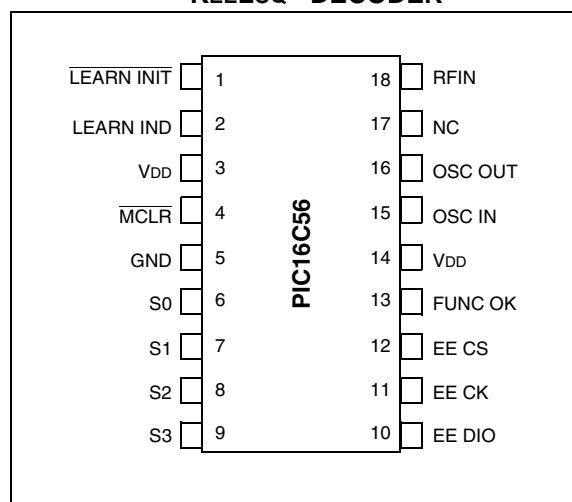
The serial number is used to identify the memory block used to store the 64-bit decryption key for a particular encoder because of the relationship between serial num-

ber and decryption key. In other words, the serial number is stored with the key. When a transmission is received, the decoder finds the correct memory block by checking all blocks until a matching serial number is found. The key is then retrieved from that particular memory block. A serial number of 0000000₁₆ is considered invalid.

Validation of a received transmission consists of two parts. The first includes checking the integrity of the decryption operation. Here the decoder compares the 12-bit discrimination value received with the stored discrimination value. The discrimination value stored for the HCS300/301 includes the overflow bits.

The second portion of validation involves checking **synchronization** information for that particular encoder. The synchronization counter transmitted by all encoders is 16 bits long. Two copies of the full synchronization counter are stored for all valid encoders. The storing of two copies of the synchronization information protects the decoder from losing synchronization with an encoder if one of the counters is corrupted.

FIGURE 3: PINOUTS OF MICROCHIP KEELOQ® DECODER



FUNCTIONAL INPUTS AND OUTPUTS

TABLE 8: MICROCHIP DECODER FUNCTIONAL INPUTS AND OUTPUTS

Mnemonic	Pin Number	Input / Output	Function
RF IN	18	I	Demodulated PWM signal from RF receiver. The decoder uses this input to receive encoder transmissions.
LEARN INIT	1	I	Input to initiate learning.
LEARN INDICATION	2	O	Output to show the status of the learn process (in an integrated system this will be combined with the system status indicator).
FUNC OK	13	O	Indication that the received button code matches the learned button code.
S0, S1, S2, S3	6, 7, 8, 9	O	Function outputs, correspond to encoder input pins.
EE DIO	10	I/O	EEPROM Data.
EE CK	11	O	EEPROM Clock.
EE CS	12	I	EEPROM Chip Select.

PROGRAM FLOW

The software for the Microchip decoder has been written for the PIC16C56 microcontroller. The compiler used is MPASM. The operating frequency of the PIC16C56 is 4 MHz. The clock speed is important as the reception routine (RECEIVE) has some critical timing specifications. Other decoder functions that rely on a 4 MHz clock speed are the hold times of the various outputs, time-outs, etc.

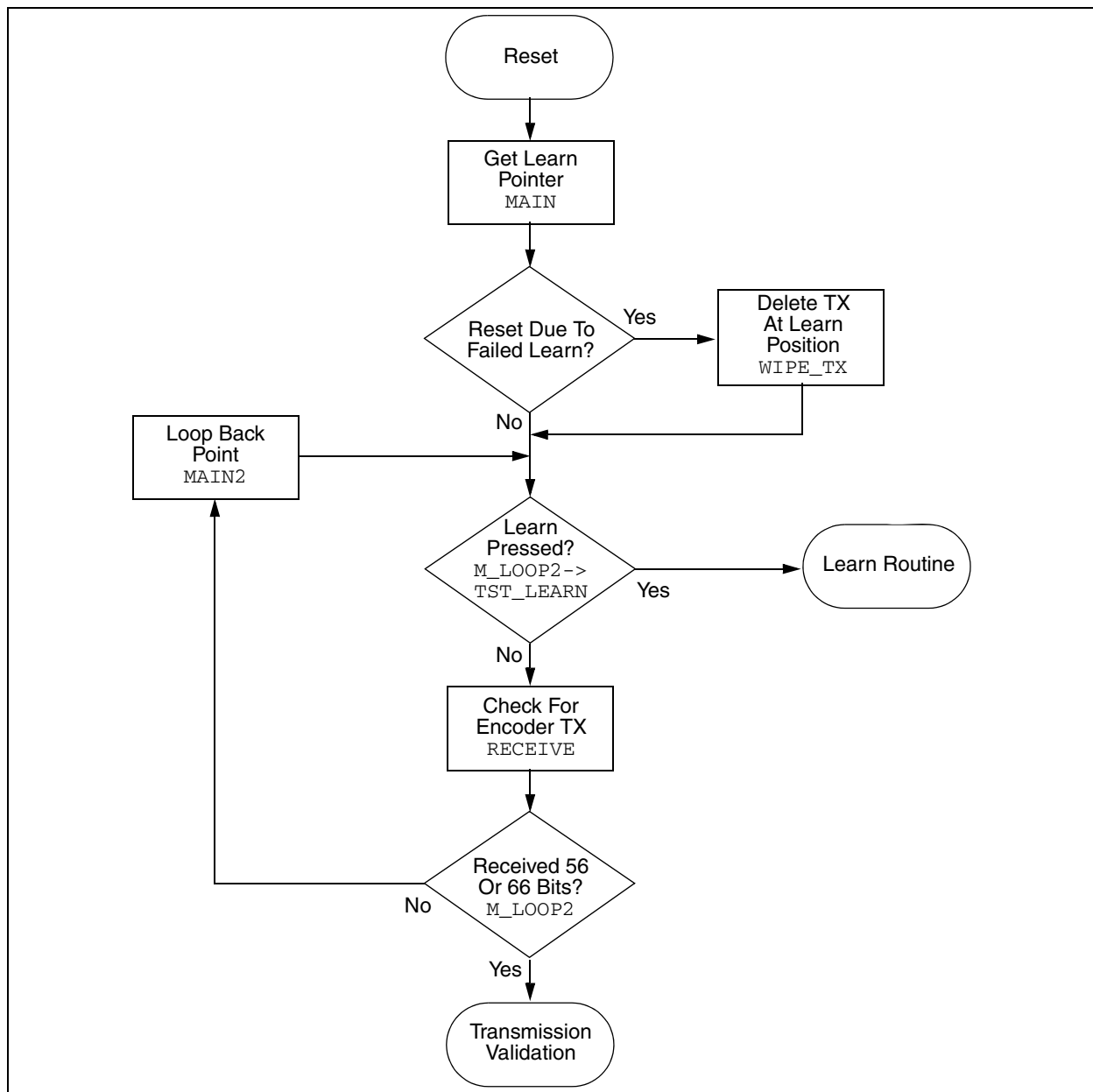
The main program flow is described here. More detailed descriptions of the modules can be found further in the application note. On power-up the decoder reads the learn indicator from the external EEPROM. The status flags are checked to see if a learn routine was interrupted when the microcontroller was reset. If

so, it is assumed the learn cycle was not successfully completed and the encoder at the learn indicator subsequently deleted (WIPE_TX).

The encoder then enters the main loop where it spends most of its time. The main loop checks to see if the learn button is being activated (TST_LEARN). If so, the decoder enters the learn mode.

If learn has not been initiated, the microcontroller then checks for transmissions from encoders (RECEIVE). If 64 bits (HCS encoders) are received, the microcontroller validates the transmission received. If the transmission received is a valid transmission from an encoder learned into the system, the system sets the appropriate outputs (M_BUT).

FIGURE 4: MICROCHIP DECODER MAIN PROGRAM FLOW



FUNCTIONAL MODULES

Reception

The reception routine (RECEIVE) is based on a reliable algorithm which has successfully been used in previous implementations of KEELOQ decoders. Automatic baud rate detection is used to compensate for variations in baud rate of different encoders of a specific type, as well as the difference in baud rate between different encoders (HCS200 and HCS300). The reception routine is able to handle 64-bit transmissions. This is easily extended to receive more bits. The reception routine is able to determine the type of encoder by the number of bits in the transmission.

The reception algorithm performs the following functions when an output is detected from the receiver:

1. Calibrate on the header low period to determine the actual elemental period for the transmission being received. The required elemental period is 10% of the low header period. In the diagram below (Figure 5) the header calibration sample points are marked 1 through 3. The calibration flow chart (Figure 6) shows at what points in the source code samples 1, 2, and 3 are taken.

Elemental periods outside the capture range of the algorithm (either too long or too short) should be rejected, since they would be due either to noise or to reception of an incomplete signal.

2. Using the determined elemental period, three samples after the first rising edge following the header are taken. The first sample is taken half an elemental period after the rising edge (Sample 4); the second, one elemental period later (Sample 5), and the third, another one elemental period later (Sample 6). The first sample must be high, the second could be either high or low, and the third sample must be low. If either the first or the third sample is not as expected, the attempt at capturing a transmission is abandoned. In the diagram below (Figure 5), the data sample points are points 4 through 6. The flow chart describing data reception (Figure 7) shows where in the code the samples are taken.
3. If all 64 bits have been captured, each with the correct first and third elements, the transmission can be assumed to be correct, and decryption can commence.

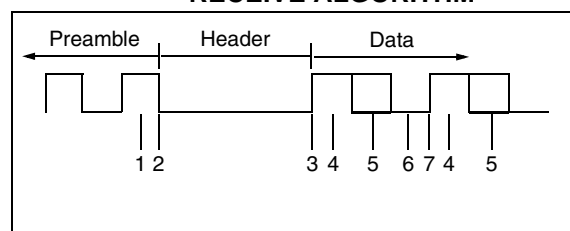
The receiving routine should be called often enough to ensure that the high portion in the header is not missed (Sample 1, Figure 5).

In systems where the receive routine is called to check if there is activity on the receiver input, the routine should poll the input for a valid transmission for at least the time taken to complete one transmission if activity is detected on the input line. This makes provision for the receive routine being called while a transmission is in progress. Having missed the first header, the first transmission will be invalid and be discarded. The decoder should continue sampling the input through the guard time in order to catch the next header and transmission (i.e., for a decoder designed to capture HCS300 transmissions the time spent polling for a valid transmission should be at least 100 ms if activity is detected in the input line).

The diagram below (Figure 5) gives all the major sampling points in the receive algorithm.

Note: The sample points are labeled in the receive routine flow diagrams that follow.

FIGURE 5: SAMPLING POINTS USED IN RECEIVE ALGORITHM



Flow Diagrams

The first flow diagram (Figure 6) describes the calibration routine which is used to determine the actual transmission rate of the encoder so that the decoder can compensate for deviations from nominal timing. There are four different exit points, each of which should branch to a point in the program where housekeeping and input monitoring can be resumed. There is only one exit point for a valid calibration operation (RCV7). At this point, it is assumed that a valid header has been received and that a string of data bits will follow.

The second flow diagram (Figure 7) handles the reception of bits once the calibration routine has been successfully completed. The data bits are all sampled three times each to ensure that a noise free transmission has been received. The receive routine uses the calibrated elemental period, determined in the calibration routine, to ensure that the samples are spaced correctly. The routine resynchronizes itself on the rising flank of each bit. Provision for identification of the encoder type, based on the number of bits received, is included. KEELQ encoders transmit at least 66 bits. The decoder only receives 64 bits of the transmission, the remaining status bits aren't used by the decoder.

If all of the control samples in all of the bits are sampled correctly (i.e., the first element is high and the last element is low), the routine checks whether 56 bits have been received correctly. If not, the routine returns to the calling procedure.

FIGURE 6: CALIBRATION FLOW CHART

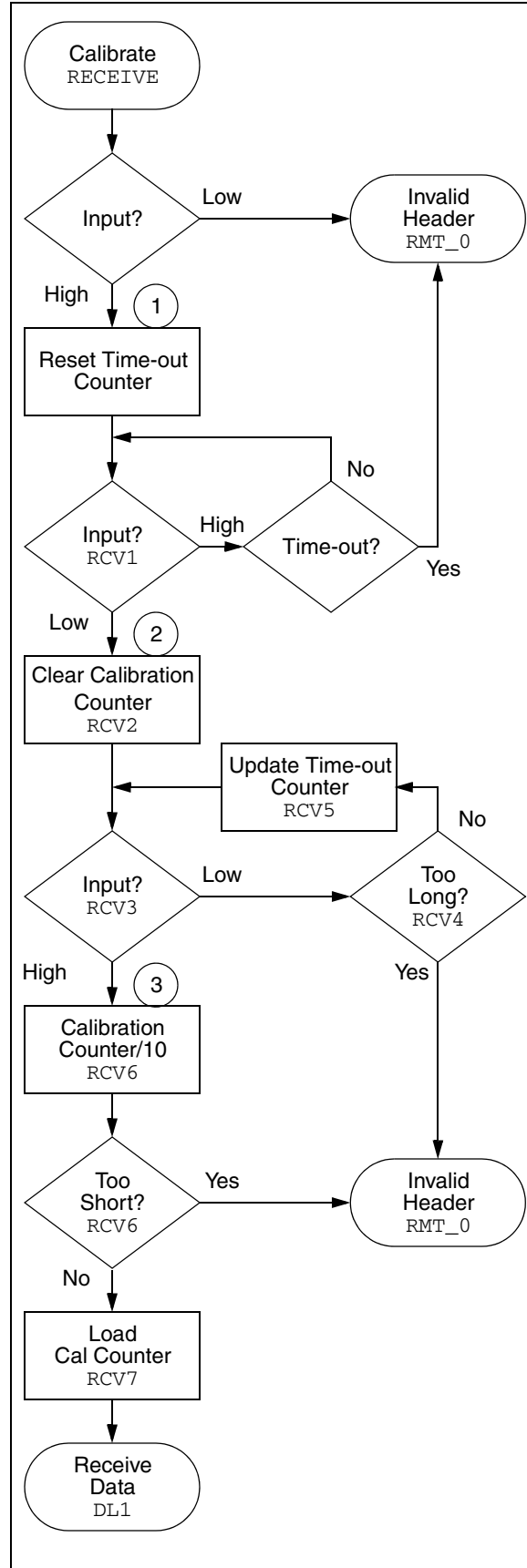
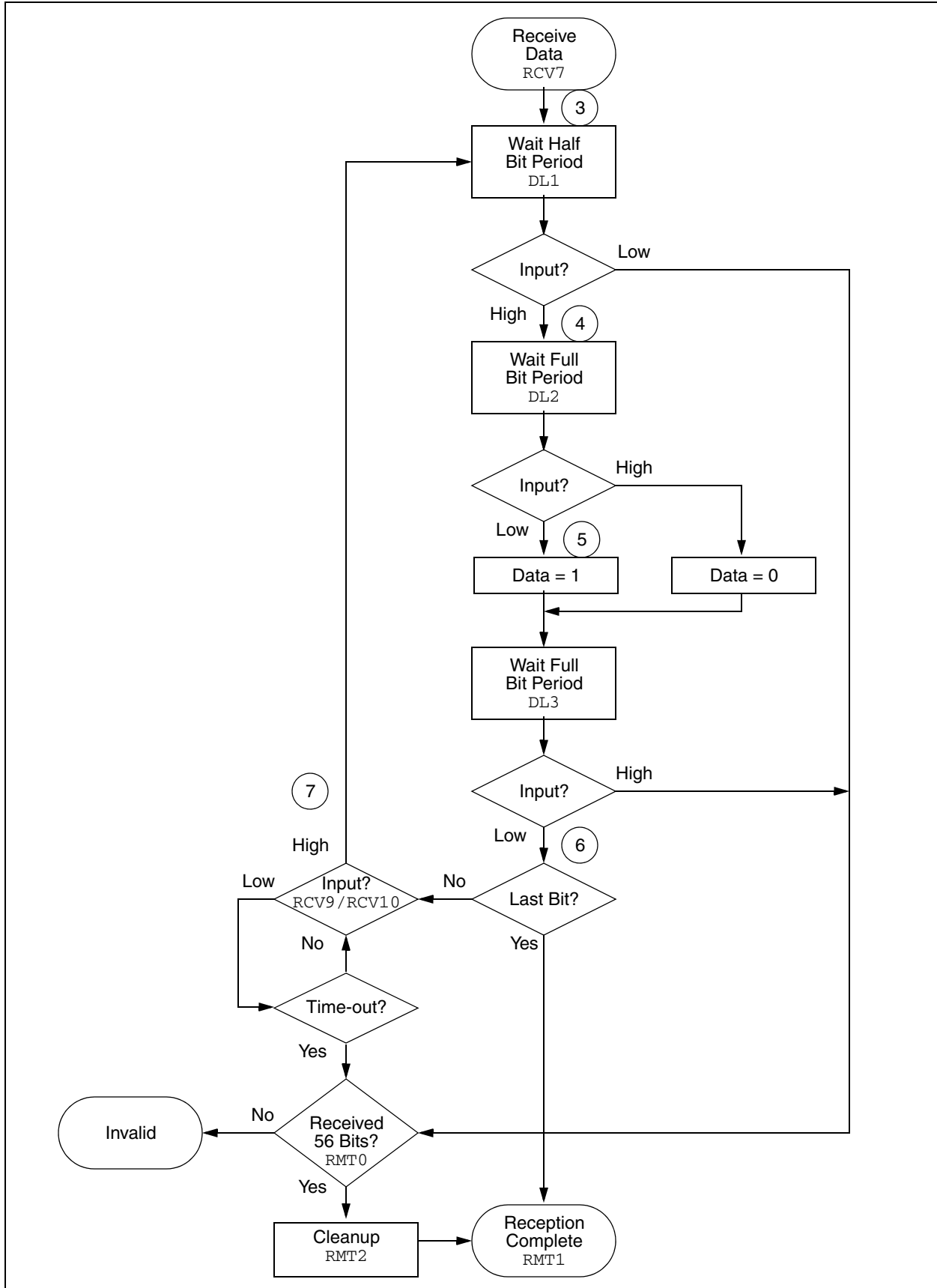


FIGURE 7: DATA RECEPTION IN RECEIVE



AN661

VALIDATION

SYNCHRONIZATION

FUNCTION INTERPRETATION

OUTPUT ACTIVATION

KEY GENERATION

DECRYPTION

LEARN

ROM MEMORY MAP

EEPROM MEMORY MAP

RAM MEMORY MAP

The confidential and proprietary information contained in this section of AN642 has been removed. The full application note is available under a license agreement and can be ordered as DS40149 from Microchip Technology Inc.

DEVICE PINOUTS

The device used in the application note is a PIC16C56 PDIP.

TABLE 9: DEVICE PINOUTS

PIN	PIC16C56 Function	Decoder Function	PIN	PIC16C56 Function	Decoder Function
1	PORTA Bit2	LEARN Input Active Low	18	PORTA Bit1	RF Input
2	PORTA Bit3	LRN IND Output Active High	17	PORTA Bit0	Not used
3	TIME	Connect to VDD	16	Osc In	RC osc (4 MHz)
4	MCLR	Brown out detect	15	Osc Out	
5	GND	Ground	14	VDD	+5V supply
6	PORTB Bit0	S0	13	PORTB Bit7	FUNC OK
7	PORTB Bit1	S1	12	PORTB Bit6	EEPROM CS (1)
8	PORTB Bit2	S2	11	PORTB Bit5	EEPROM CLK (2)
9	PORTB Bit3	S3	10	PORTB Bit4	EEPROM DIO (3+4)

TIMING PARAMETERS

TABLE 10: TIMING PARAMETERS

Parameter	Typical	Unit
Output activation duration	524	ms
Output pause if new function code received	131	ms
Erase all duration	8.4	s
Learn mode time-out	33.6	s
Learn successful $\overline{\text{LED}}$ flash duration	4.2	s
Learn successful $\overline{\text{LED}}$ flash rate	3.8	Hz
Learn failure $\overline{\text{LED}}$ on duration	1	s

SOURCE CODE LISTING

A diskette is supplied containing source code for the Microchip decoder in the file mcdec12.asm. The code has been compiled using MPASM v02.13.00. Certain functions are dependent on the oscillator speed for correct functioning. Examples of time dependent functions include RECEIVE and TST_RTCC. The PIC16C56 Microcontroller should run at 4 MHz.

LIST OF IMPORTANT FUNCTIONS

Function Name	Description	Function Length
CALC_KEY	Key generation routine.	62
DECRYPT	Decryption routine for Code Hop.	61
EEREAD	The data in the EEPROM at ADDRESS is read and decrypted to TMP1 and TMP2. Note that TMP1, TMP2 and ADDRESS are user defined registers.	31
EEWRITE	The data in TMP1 and TMP2 is encrypted and written to the EEPROM at ADDRESS. Note that TMP1, TMP2 and ADDRESS are user defined registers.	48
M_DIS	Check discrimination value.	19
M_CNT	Check synchronization (counter) values.	69
RECEIVE	Start of the RF receive routine.	121
TST_LEARN1	Check for learn mode and entry to learn.	21
TST_RTCC	Check TIMER0 and do whatever real time tasks are required.	38

APPENDIX A: APPENDIX SCHEMATIC DIAGRAMS

FIGURE A1: SCHEMATIC DIAGRAM OF MICROCHIP KEELOQ[®] DECODER

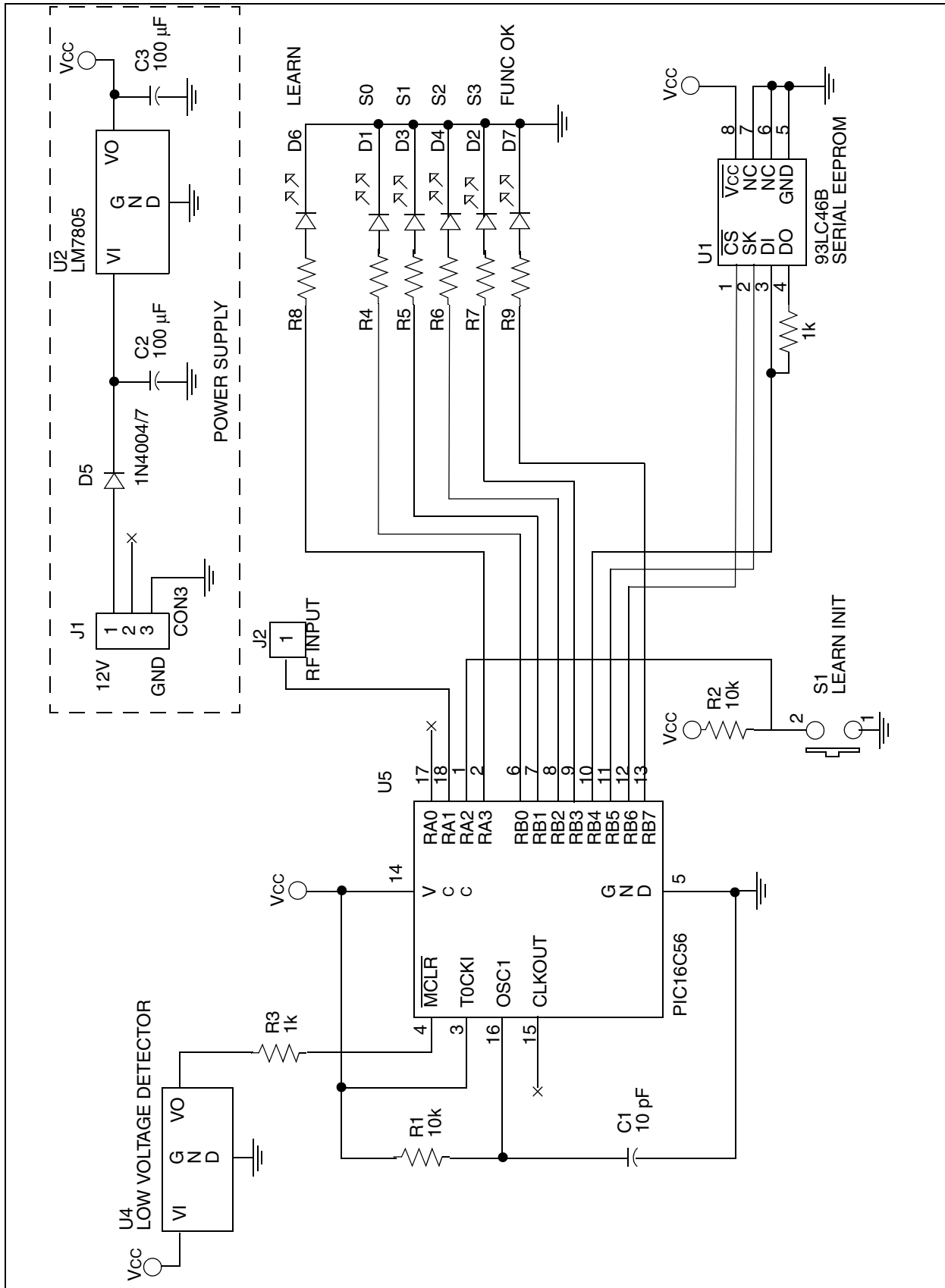
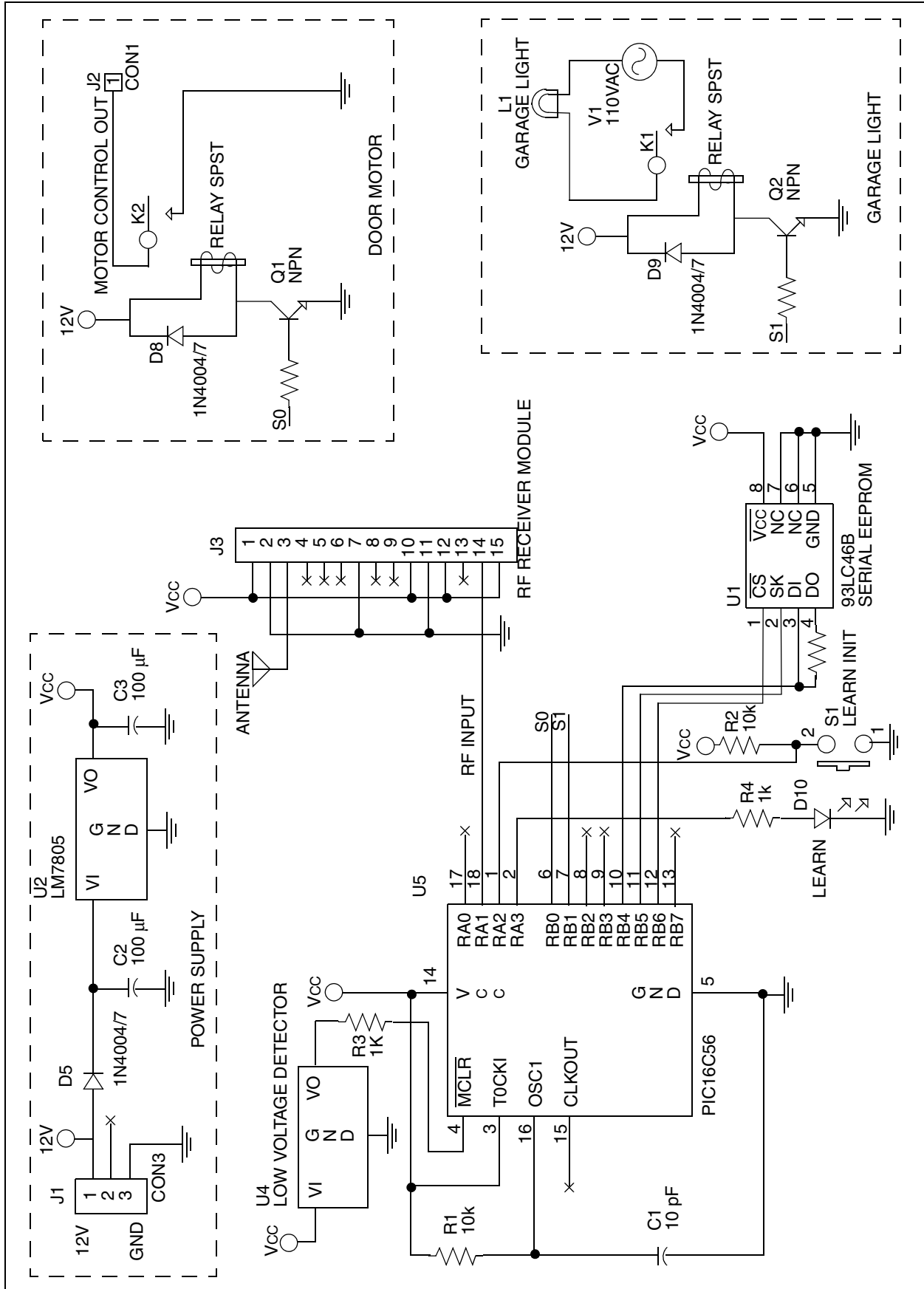


FIGURE A2: TYPICAL GARAGE DOOR OPENER SCHEMATIC



ADDITIONAL INFORMATION

Microchip's Secure Data Products are covered by some or all of the following:

Code hopping encoder patents issued in European countries and U.S.A.

Secure learning patents issued in European countries, U.S.A. and R.S.A.

REVISION HISTORY

Revision C (May 2011)

- Added new section **Additional Information**
- Minor formatting and text changes were incorporated throughout the document

Note the following details of the code protection feature on Microchip devices:

- Microchip products meet the specification contained in their particular Microchip Data Sheet.
- Microchip believes that its family of products is one of the most secure families of its kind on the market today, when used in the intended manner and under normal conditions.
- There are dishonest and possibly illegal methods used to breach the code protection feature. All of these methods, to our knowledge, require using the Microchip products in a manner outside the operating specifications contained in Microchip's Data Sheets. Most likely, the person doing so is engaged in theft of intellectual property.
- Microchip is willing to work with the customer who is concerned about the integrity of their code.
- Neither Microchip nor any other semiconductor manufacturer can guarantee the security of their code. Code protection does not mean that we are guaranteeing the product as “unbreakable.”

Code protection is constantly evolving. We at Microchip are committed to continuously improving the code protection features of our products. Attempts to break Microchip's code protection feature may be a violation of the Digital Millennium Copyright Act. If such acts allow unauthorized access to your software or other copyrighted work, you may have a right to sue for relief under that Act.

Information contained in this publication regarding device applications and the like is provided only for your convenience and may be superseded by updates. It is your responsibility to ensure that your application meets with your specifications. MICROCHIP MAKES NO REPRESENTATIONS OR WARRANTIES OF ANY KIND WHETHER EXPRESS OR IMPLIED, WRITTEN OR ORAL, STATUTORY OR OTHERWISE, RELATED TO THE INFORMATION, INCLUDING BUT NOT LIMITED TO ITS CONDITION, QUALITY, PERFORMANCE, MERCHANTABILITY OR FITNESS FOR PURPOSE. Microchip disclaims all liability arising from this information and its use. Use of Microchip devices in life support and/or safety applications is entirely at the buyer's risk, and the buyer agrees to defend, indemnify and hold harmless Microchip from any and all damages, claims, suits, or expenses resulting from such use. No licenses are conveyed, implicitly or otherwise, under any Microchip intellectual property rights.

Trademarks

The Microchip name and logo, the Microchip logo, dsPIC, KEELOQ, KEELOQ logo, MPLAB, PIC, PICmicro, PICSTART, PIC³² logo, rPIC and UNI/O are registered trademarks of Microchip Technology Incorporated in the U.S.A. and other countries.


FilterLab, Hampshire, HI-TECH C, Linear Active Thermistor, MXDEV, MXLAB, SEEVAL and The Embedded Control Solutions Company are registered trademarks of Microchip Technology Incorporated in the U.S.A.

Analog-for-the-Digital Age, Application Maestro, CodeGuard, dsPICDEM, dsPICDEM.net, dsPICworks, dsSPEAK, ECAN, ECONOMONITOR, FanSense, HI-TIDE, In-Circuit Serial Programming, ICSP, Mindi, MiWi, MPASM, MPLAB Certified logo, MPLIB, MPLINK, mTouch, Omniscient Code Generation, PICC, PICC-18, PICDEM, PICDEM.net, PICkit, PICTail, REAL ICE, rLAB, Select Mode, Total Endurance, TSHARC, UniWinDriver, WiperLock and ZENA are trademarks of Microchip Technology Incorporated in the U.S.A. and other countries.

SQTP is a service mark of Microchip Technology Incorporated in the U.S.A.

All other trademarks mentioned herein are property of their respective companies.

© 2011, Microchip Technology Incorporated, Printed in the U.S.A., All Rights Reserved.

 Printed on recycled paper.

ISBN: 978-1-61341-163-6

Microchip received ISO/TS-16949:2002 certification for its worldwide headquarters, design and wafer fabrication facilities in Chandler and Tempe, Arizona; Gresham, Oregon and design centers in California and India. The Company's quality system processes and procedures are for its PIC[®] MCUs and dsPIC[®] DSCs, KEELOQ[®] code hopping devices, Serial EEPROMs, microperipherals, nonvolatile memory and analog products. In addition, Microchip's quality system for the design and manufacture of development systems is ISO 9001:2000 certified.

**QUALITY MANAGEMENT SYSTEM
CERTIFIED BY DNV
== ISO/TS 16949:2002 ==**



MICROCHIP

Worldwide Sales and Service

AMERICAS

Corporate Office
2355 West Chandler Blvd.
Chandler, AZ 85224-6199
Tel: 480-792-7200
Fax: 480-792-7277
Technical Support:
<http://www.microchip.com/support>
Web Address:
www.microchip.com

Atlanta
Duluth, GA
Tel: 678-957-9614
Fax: 678-957-1455

Boston
Westborough, MA
Tel: 774-760-0087
Fax: 774-760-0088

Chicago
Itasca, IL
Tel: 630-285-0071
Fax: 630-285-0075

Cleveland
Independence, OH
Tel: 216-447-0464
Fax: 216-447-0643

Dallas
Addison, TX
Tel: 972-818-7423
Fax: 972-818-2924

Detroit
Farmington Hills, MI
Tel: 248-538-2250
Fax: 248-538-2260

Indianapolis
Noblesville, IN
Tel: 317-773-8323
Fax: 317-773-5453

Los Angeles
Mission Viejo, CA
Tel: 949-462-9523
Fax: 949-462-9608

Santa Clara
Santa Clara, CA
Tel: 408-961-6444
Fax: 408-961-6445

Toronto
Mississauga, Ontario,
Canada
Tel: 905-673-0699
Fax: 905-673-6509

ASIA/PACIFIC

Asia Pacific Office
Suites 3707-14, 37th Floor
Tower 6, The Gateway
Harbour City, Kowloon
Hong Kong
Tel: 852-2401-1200
Fax: 852-2401-3431

Australia - Sydney
Tel: 61-2-9868-6733
Fax: 61-2-9868-6755

China - Beijing
Tel: 86-10-8569-7000
Fax: 86-10-8528-2104

China - Chengdu
Tel: 86-28-8665-5511
Fax: 86-28-8665-7889

China - Chongqing
Tel: 86-23-8980-9588
Fax: 86-23-8980-9500

China - Hangzhou
Tel: 86-571-2819-3180
Fax: 86-571-2819-3189

China - Hong Kong SAR
Tel: 852-2401-1200
Fax: 852-2401-3431

China - Nanjing
Tel: 86-25-8473-2460
Fax: 86-25-8473-2470

China - Qingdao
Tel: 86-532-8502-7355
Fax: 86-532-8502-7205

China - Shanghai
Tel: 86-21-5407-5533
Fax: 86-21-5407-5066

China - Shenyang
Tel: 86-24-2334-2829
Fax: 86-24-2334-2393

China - Shenzhen
Tel: 86-755-8203-2660
Fax: 86-755-8203-1760

China - Wuhan
Tel: 86-27-5980-5300
Fax: 86-27-5980-5118

China - Xian
Tel: 86-29-8833-7252
Fax: 86-29-8833-7256

China - Xiamen
Tel: 86-592-2388138
Fax: 86-592-2388130

China - Zhuhai
Tel: 86-756-3210040
Fax: 86-756-3210049

ASIA/PACIFIC

India - Bangalore
Tel: 91-80-3090-4444
Fax: 91-80-3090-4123

India - New Delhi
Tel: 91-11-4160-8631
Fax: 91-11-4160-8632

India - Pune
Tel: 91-20-2566-1512
Fax: 91-20-2566-1513

Japan - Yokohama
Tel: 81-45-471- 6166
Fax: 81-45-471-6122

Korea - Daegu
Tel: 82-53-744-4301
Fax: 82-53-744-4302

Korea - Seoul
Tel: 82-2-554-7200
Fax: 82-2-558-5932 or
82-2-558-5934

Malaysia - Kuala Lumpur
Tel: 60-3-6201-9857
Fax: 60-3-6201-9859

Malaysia - Penang
Tel: 60-4-227-8870
Fax: 60-4-227-4068

Philippines - Manila
Tel: 63-2-634-9065
Fax: 63-2-634-9069

Singapore
Tel: 65-6334-8870
Fax: 65-6334-8850

Taiwan - Hsin Chu
Tel: 886-3-6578-300
Fax: 886-3-6578-370

Taiwan - Kaohsiung
Tel: 886-7-213-7830
Fax: 886-7-330-9305

Taiwan - Taipei
Tel: 886-2-2500-6610
Fax: 886-2-2508-0102

Thailand - Bangkok
Tel: 66-2-694-1351
Fax: 66-2-694-1350

EUROPE

Austria - Wels
Tel: 43-7242-2244-39
Fax: 43-7242-2244-393

Denmark - Copenhagen
Tel: 45-4450-2828
Fax: 45-4485-2829

France - Paris
Tel: 33-1-69-53-63-20
Fax: 33-1-69-30-90-79

Germany - Munich
Tel: 49-89-627-144-0
Fax: 49-89-627-144-44

Italy - Milan
Tel: 39-0331-742611
Fax: 39-0331-466781

Netherlands - Drunen
Tel: 31-416-690399
Fax: 31-416-690340

Spain - Madrid
Tel: 34-91-708-08-90
Fax: 34-91-708-08-91

UK - Wokingham
Tel: 44-118-921-5869
Fax: 44-118-921-5820

05/02/11